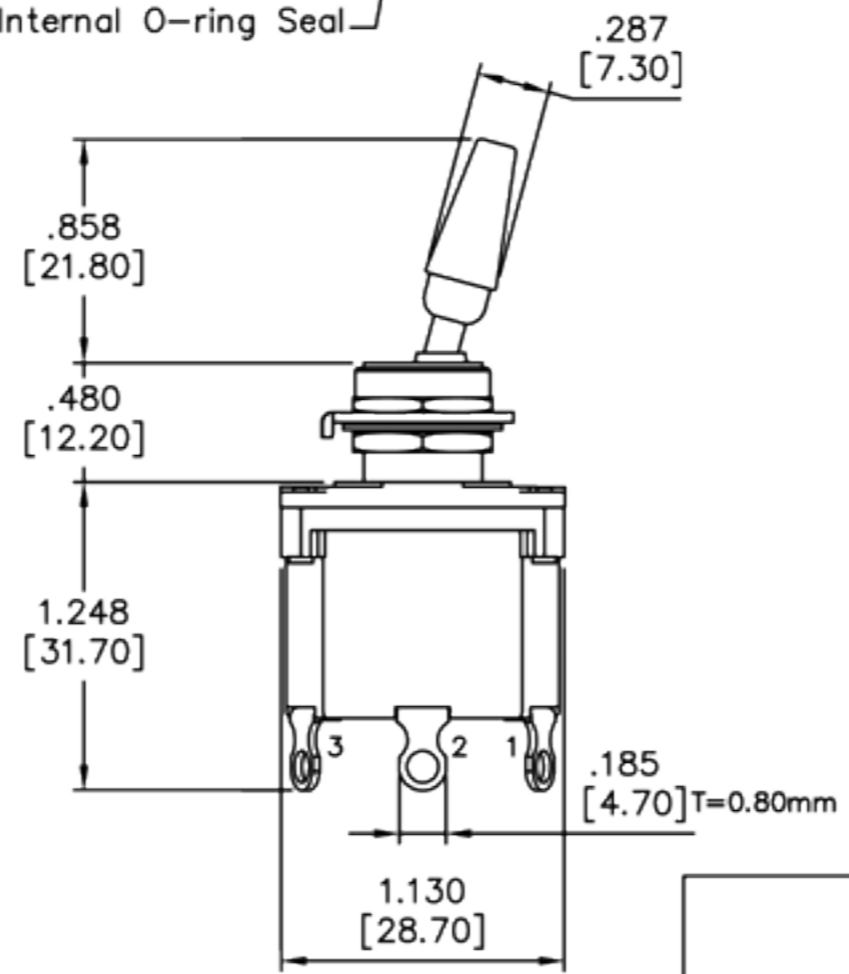
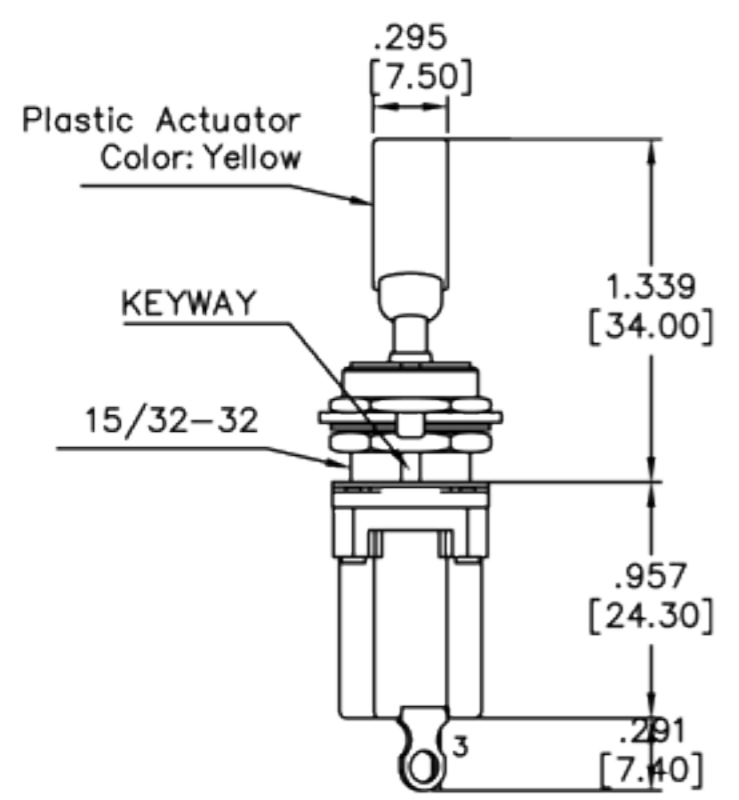
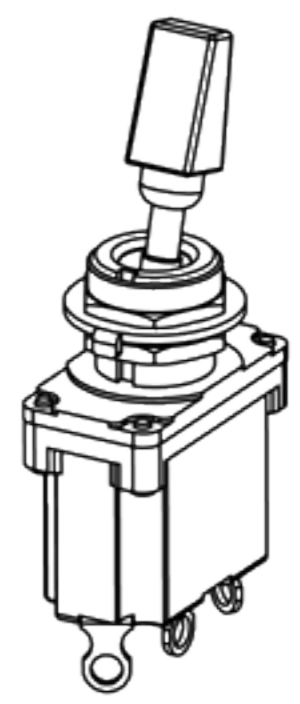
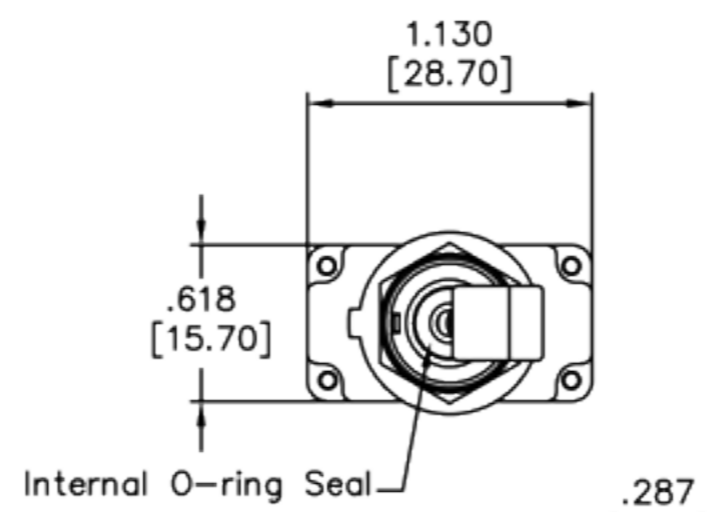
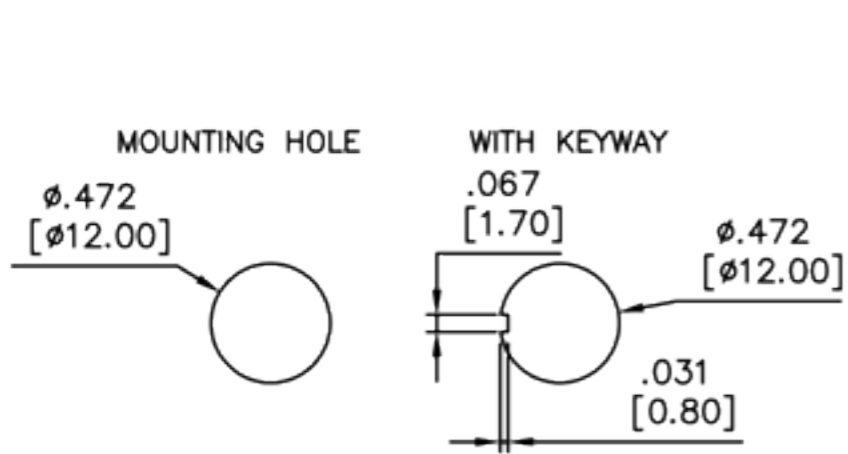


REV. 更改	DESCRIPTION 說明	ENG. 修改人	APPROVE 審核
------------	-------------------	-------------	---------------



MODEL NO.	SWITCH POSITION		
SP-1	ON	NONE	ON
SP-2	ON	NONE	(ON)
SP-A	(ON)	NONE	ON
SP-3	ON	OFF	ON
SP-4	(ON)	OFF	(ON)
SP-5	ON	OFF	(ON)
Term. Comm.	2-3	OPEN	2-1

SPECIFICATIONS:

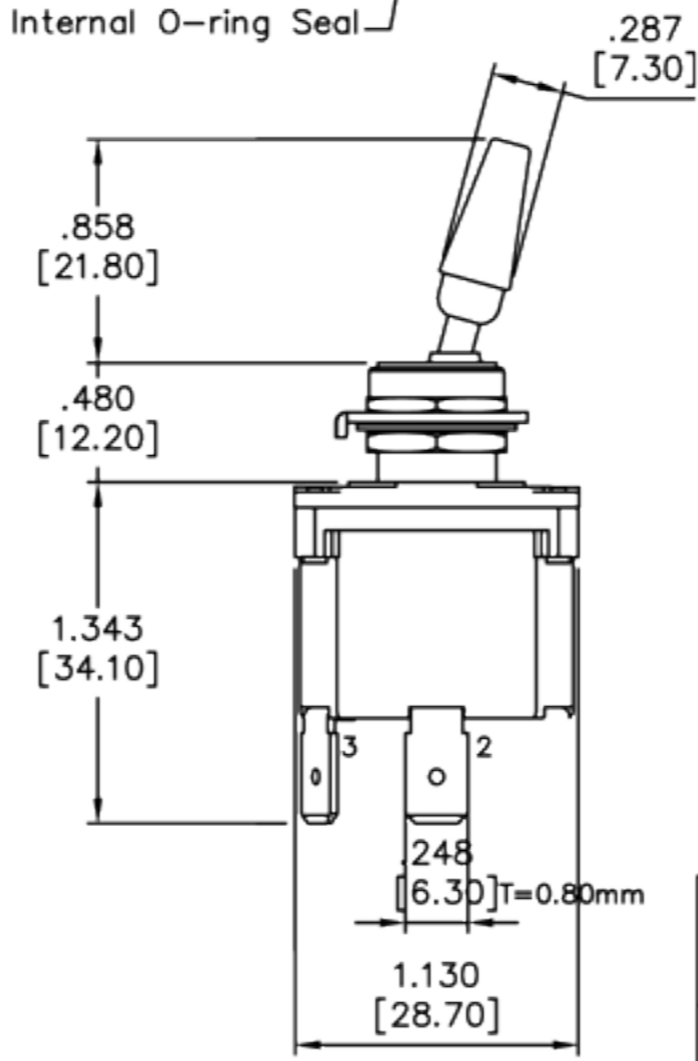
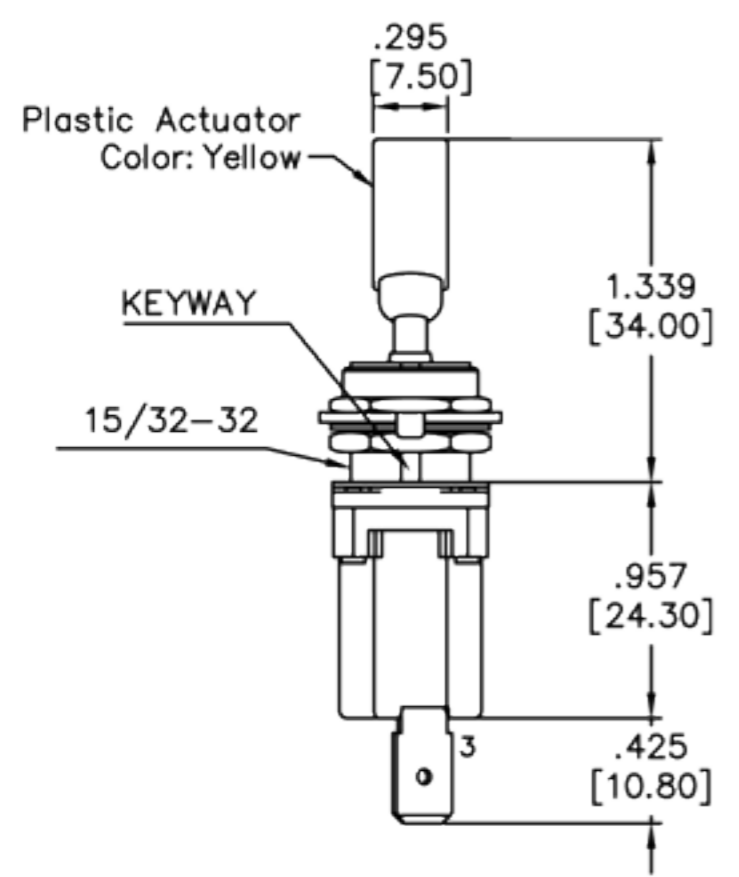
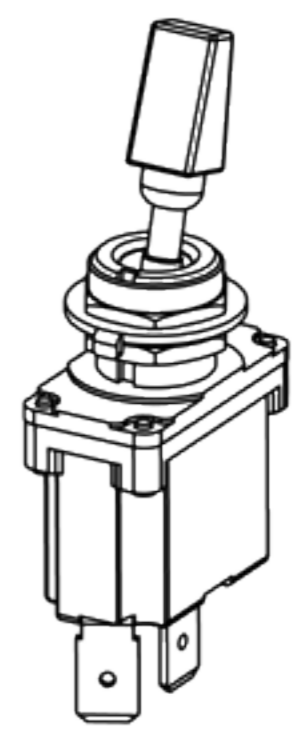
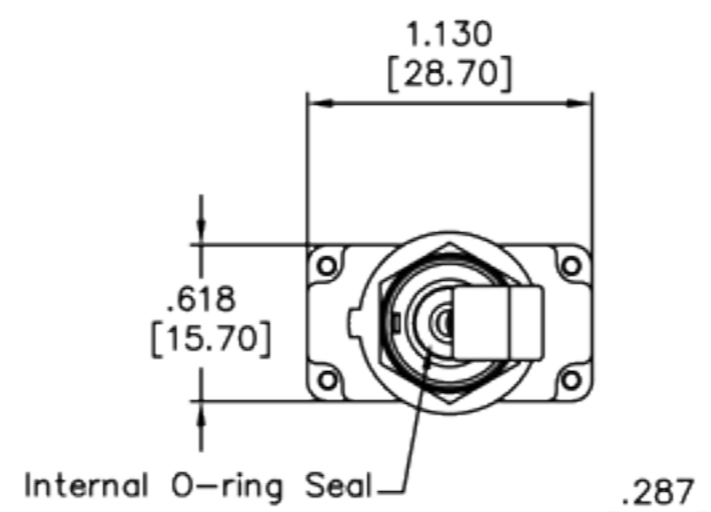
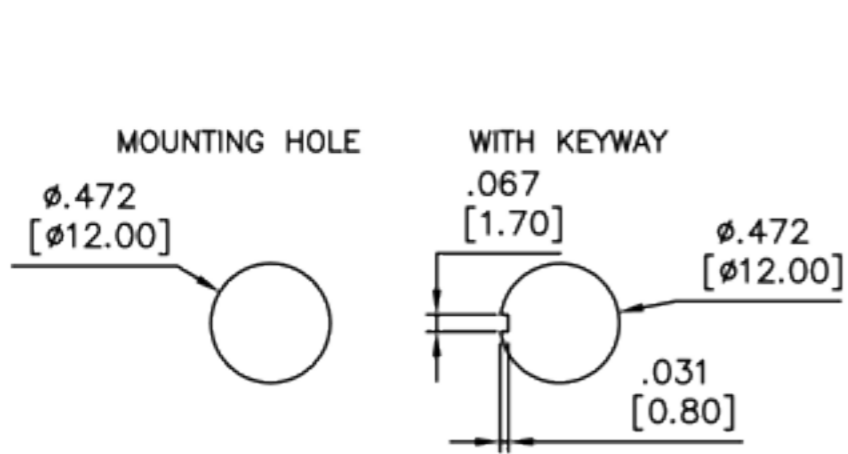
- MOVABLE CONTACT: Copper alloy, silver plated
- TERMINALS: Brass tin plating
- RATING: 10A @ 250VAC or 12A @ 125VAC
 1/2 HP 125VAC/ 1HP 250VAC/5A 125VAC
- CONTACT RESISTANCE: 20m-ohms max. initial
- INSULATION RESISTANCE: 100M-ohms min. @ 500VDC
- DIELECTRIC STRENGTH: 1,500V RMS @ sea level
- ELECTRICAL LIFE: 30,000 make and break cycles at full load
- OPERATING TEMPERATURE: -30°C to +85°C
- IP67 Protection Class
- HAND SOLDERING TEMPERATURE: 350°C for 3sec. Max.
 (No pressure to be applied on terminals)

UNLESS OTHERWISE SPECIFIED DIMENSIONS ARE IN MILLIMETERS ANGULAR TOLERANCE: $\pm 1.0^\circ$	
DIMENSIONS	TOLERANCE
0.00 TO 30.00mm	± 0.20 mm
30.01 TO 80.00mm	± 0.25 mm
80.01 TO 150.00mm	± 0.30 mm
150.01	± 0.40 mm

TACLEX ELECTRONICS CO.,LTD.

USED 用途	L7A	APPD. 審核	Amy 2010/02/08
FINISH 處理		CHKD. 校對	Amy 2010/02/08
SCALE 比例	/	UNIT 單位	in(mm)
		DR. 製圖	Amy 2010/02/08
TITLE 名稱	SEALED TOGGLE SWITCH		
DWG NO. 圖號	L7A-SP1-P15B0M1P		SIZE 圖紙
FILE NAME 檔案名稱	L7A-SP1-P15B0M1P	SHEET 張數	1/1
		REV. 更改	1

REV. 更改	DESCRIPTION 說明	ENG. 修改人	APPROVE 審核
------------	-------------------	-------------	---------------



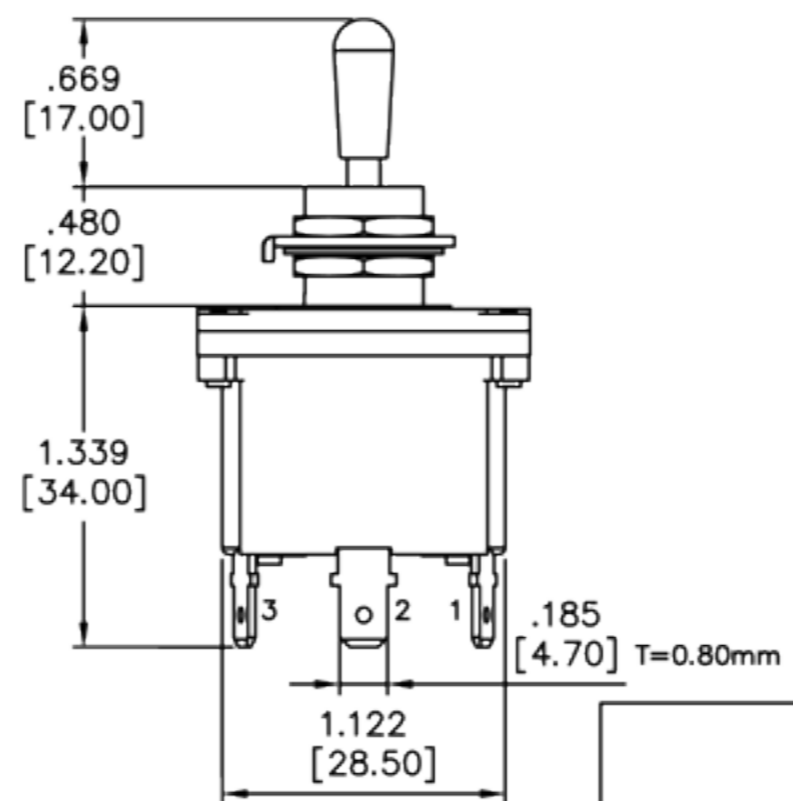
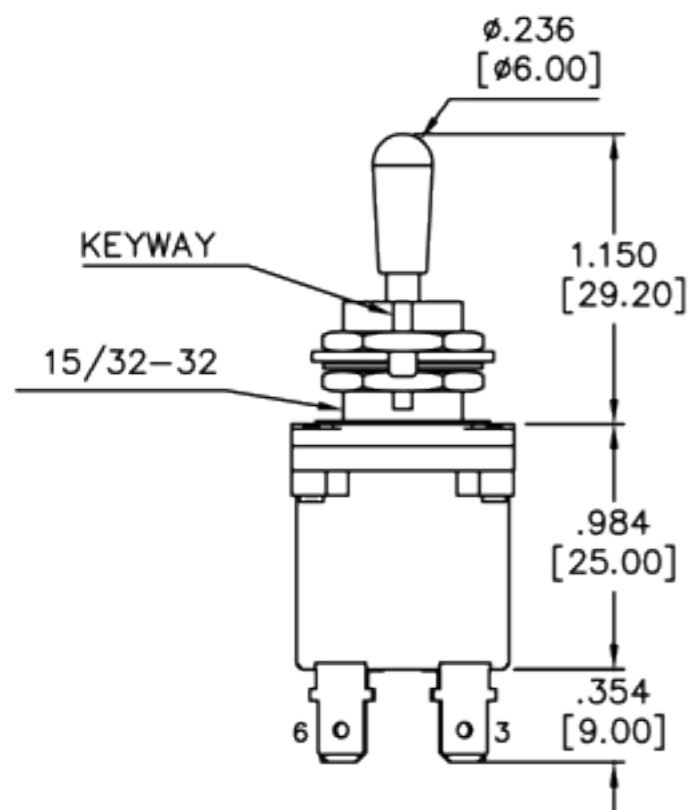
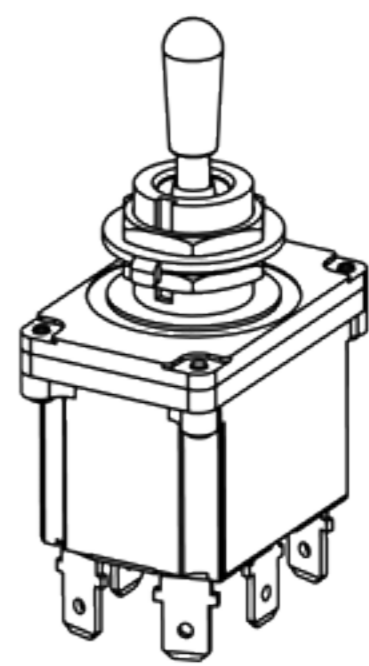
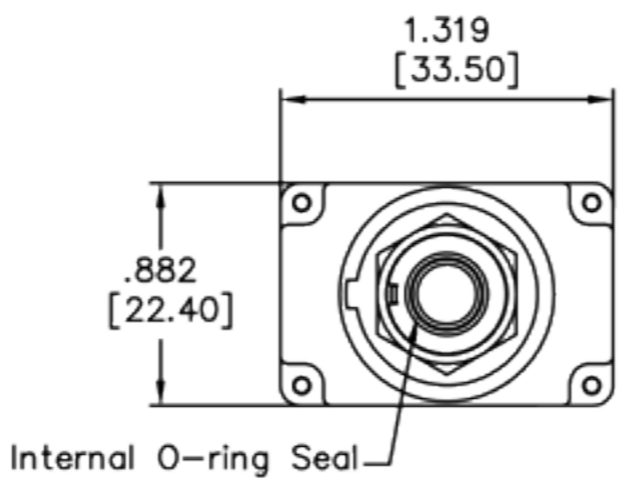
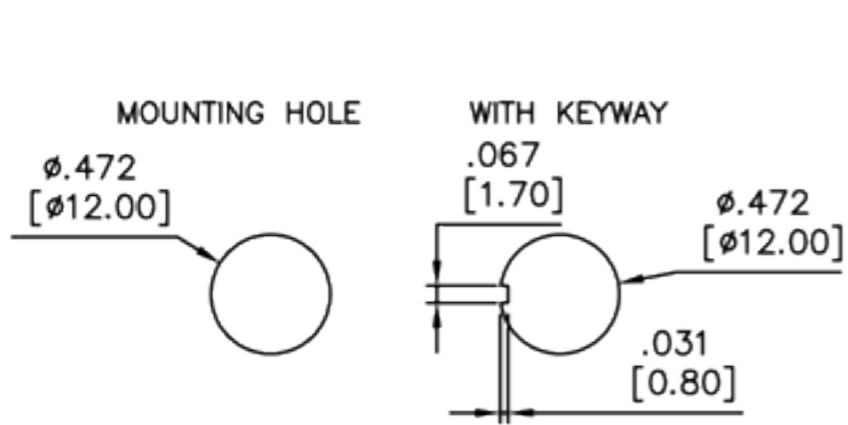
MODEL NO.	SWITCH POSITION		
2P-1	ON	NONE	OFF
2P-8	ON	NONE	(OFF)
2P-9	(ON)	NONE	OFF
Term. Comm.	2-3	OPEN	2-1

SPECIFICATIONS:

- MOVABLE CONTACT: Copper alloy, silver plated
- TERMINALS: Brass bronzing
- RATING: 10A @ 250VAC or 12A @ 125VAC
1/2 HP 125VAC/ 1HP 250VAC/5A 125VAC
- CONTACT RESISTANCE: 20m-ohms max. initial
- INSULATION RESISTANCE: 100M-ohms min. @ 500VDC
- DIELECTRIC STRENGTH: 1,500V RMS @ sea level
- ELECTRICAL LIFE: 30,000 make and break cycles at full load
- OPERATING TEMPERATURE: -30°C to +85°C
- IP67 Protection Class
- SOLDERING TEMPERATURE: 350°C for 3sec. Max.
(No pressure to be applied on terminals)

UNLESS OTHERWISE SPECIFIED DIMENSIONS ARE IN MILLIMETERS ANGULAR TOLERANCE: ±1.0°		TACLEX ELECTRONICS CO.,LTD.	
		USED 用途 L7A	APPD. 審核 Amy 2010/02/08
DIMENSIONS		FINISH 處理	CHKD. 校對 Amy 2010/02/08
0.00 TO 30.00mm	±0.20mm	SCALE 比例 /	UNIT 單位 in(mm)
30.01 TO 80.00mm	±0.25mm	DR. 製圖 Amy 2010/02/08	
80.01 TO 150.00mm	±0.30mm	TITLE 名稱 SEALED TOGGLE SWITCH	
150.01	±0.40mm	DWG NO. 圖號 L7A-2P1-P15B0M3X	
MATERIAL		FILE NAME 檔案名稱 L7A-2P1-P15B0M3X	SHEET 張數 1/1
		REV. 更改 1	SIZE 圖紙 A4

REV. 更改	DESCRIPTION 說明	ENG. 修改人	APPROVE 審核
------------	-------------------	-------------	---------------



MODEL NO.	SWITCH POSITION		
	ON	NONE	ON
DP-1	ON	NONE	ON
DP-2	ON	NONE	(ON)
DP-A	(ON)	NONE	ON
DP-3	ON	OFF	ON
DP-4	(ON)	OFF	(ON)
DP-5	ON	OFF	(ON)
Term. Comm.	2-3	OPEN	2-1
	5-6		5-4

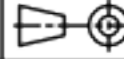
SPECIFICATIONS:

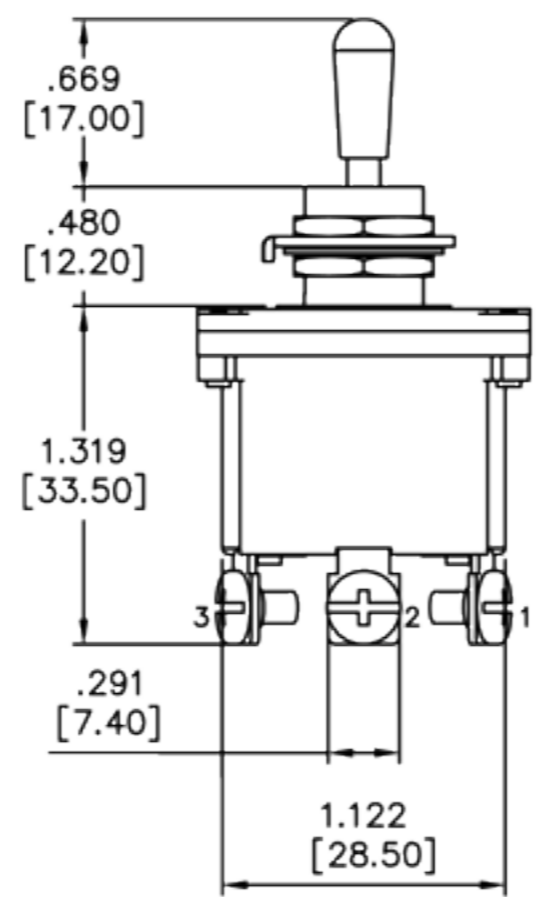
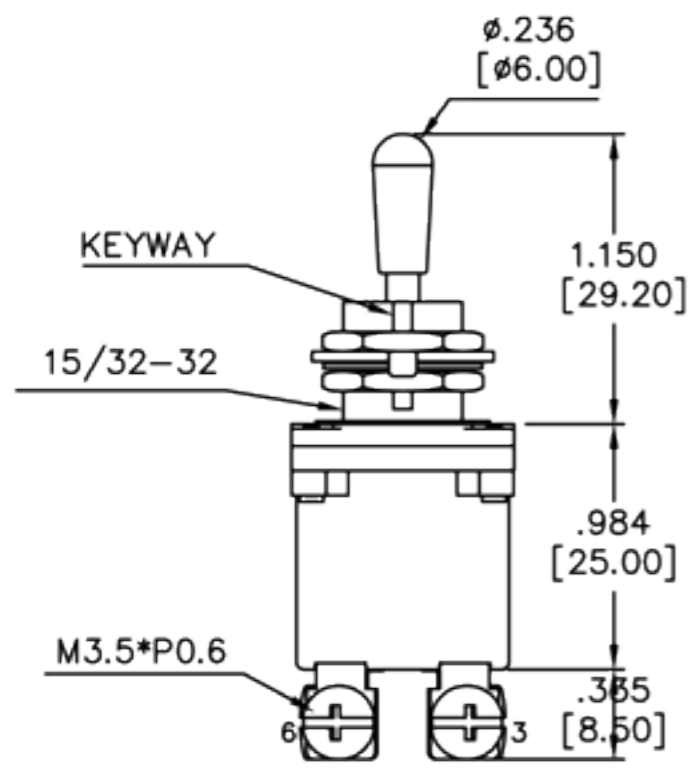
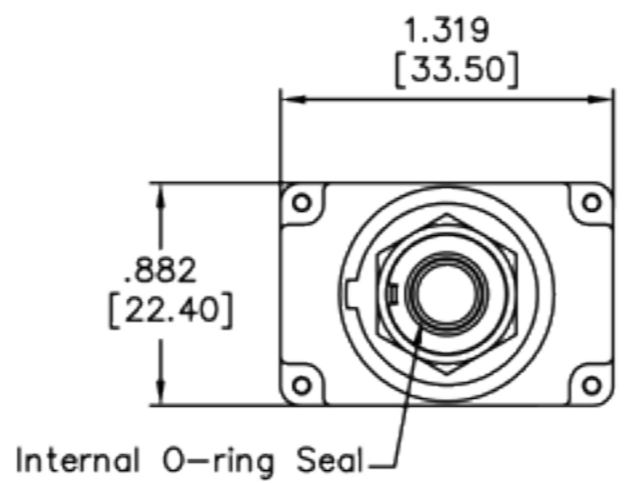
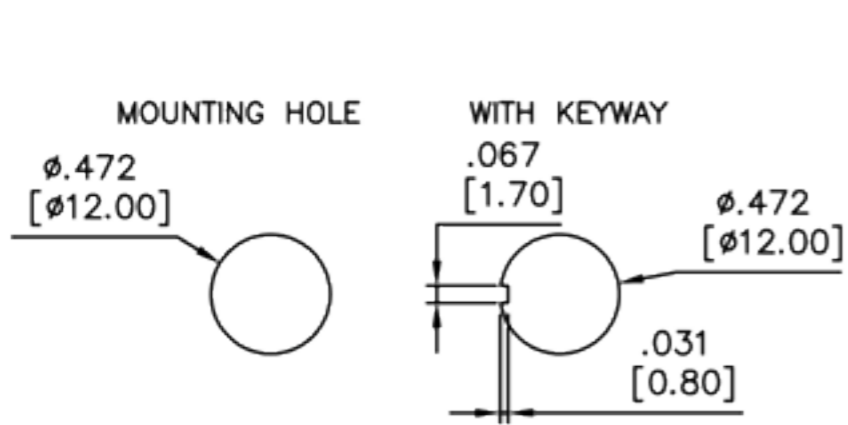
- MOVABLE CONTACT: Copper alloy, silver plated
- TERMINALS: Brass bronzing
- RATING: 10A @ 250VAC or 12A @ 125VAC
1/2 HP 125VAC/ 1HP 250VAC/5A 125VAC
- CONTACT RESISTANCE: 20m-ohms max. initial
- INSULATION RESISTANCE: 100M-ohms min. @ 500VDC
- DIELECTRIC STRENGTH: 1,500V RMS @ sea level
- ELECTRICAL LIFE: 30,000 make and break cycles at full load
- OPERATING TEMPERATURE: -30°C to +85°C
- IP67 Protection Class
- HAND SOLDERING TEMPERATURE: 350°C for 3sec. Max.
(No pressure to be applied on terminals)

UNLESS OTHERWISE SPECIFIED
DIMENSIONS ARE IN MILLIMETERS
ANGULAR TOLERANCE: ±1.0°

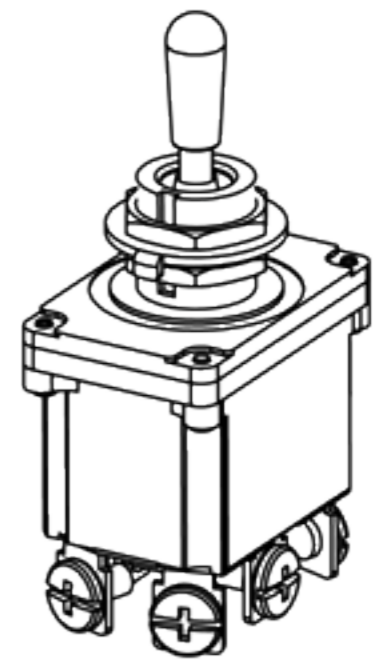
DIMENSIONS	TOLERANCE
0.00 TO 30.00mm	±0.20mm
30.01 TO 80.00mm	±0.25mm
80.01 TO 150.00mm	±0.30mm
150.01	±0.40mm

 TACLEX ELECTRONICS CO.,LTD.

USED 用途	L7A	APPD. 審核	Amy 2010/02/08
FINISH 處理		CHKD. 校對	Amy 2010/02/08
SCALE 比例	/	UNIT 單位	in(mm)
TITLE 名稱	SEALED TOGGLE SWITCH		
DWG NO. 圖號	L7A-DP4-A10B0M31X		SIZE 圖紙
FILE NAME 檔案名稱	L7A-DP4-A10B0M31X.dwg	SHEET 張數	1 / 1
REV. 更改			1



REV. 更改	DESCRIPTION 說明	ENG. 修改人	APPROVE 審核
------------	-------------------	-------------	---------------



MODEL NO.	SWITCH POSITION		
DP-1	ON	NONE	ON
DP-2	ON	NONE	(ON)
DP-A	(ON)	NONE	ON
DP-3	ON	OFF	ON
DP-4	(ON)	OFF	(ON)
DP-5	ON	OFF	(ON)
Term. Comm.	2-3	OPEN	2-1
	5-6		5-4

- SPECIFICATIONS:**
- MOVABLE CONTACT: Copper alloy, silver plated
 - TERMINALS: Brass nickel plated
 - RATING: 10A @ 250VAC or 12A @ 125VAC
1/2 HP 125VAC/ 1HP 250VAC/5A 125VAC
 - CONTACT RESISTANCE: 20m-ohms max. initial
 - INSULATION RESISTANCE: 100M-ohms min. @ 500VDC
 - DIELECTRIC STRENGTH: 1,500V RMS @ sea level
 - ELECTRICAL LIFE: 30,000 make and break cycles at full load
 - OPERATING TEMPERATURE: -30°C to +85°C
 - IP67 Protection Class
 - HAND SOLDERING TEMPERATURE: 350°C for 3sec. Max.
(No pressure to be applied on terminals)

UNLESS OTHERWISE SPECIFIED DIMENSIONS ARE IN MILLIMETERS ANGULAR TOLERANCE: ±1.0°		TACLEX ELECTRONICS CO.,LTD.	
		USED 用途 L7A	APPD. 審核 Amy 2010/02/08
DIMENSIONS		FINISH 處理	CHKD. 校對 Amy 2010/02/08
0.00 TO 30.00mm	±0.20mm	SCALE 比例 /	DR. 製圖 Amy 2010/02/08
30.01 TO 80.00mm	±0.25mm	UNIT 單位 in(mm)	
80.01 TO 150.00mm	±0.30mm		
150.01	±0.40mm	TITLE 名稱 SEALED TOGGLE SWITCH	
MATERIAL		DWG NO. 圖號 L7A-DP3-A10B0M4	SIZE 圖紙 A4
		FILE NAME 檔案名稱 L7A-DP3-A10B0M4.dwg	SHEET 張數 1/1
		REV. 更改 1	