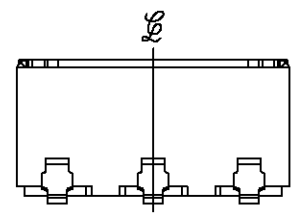
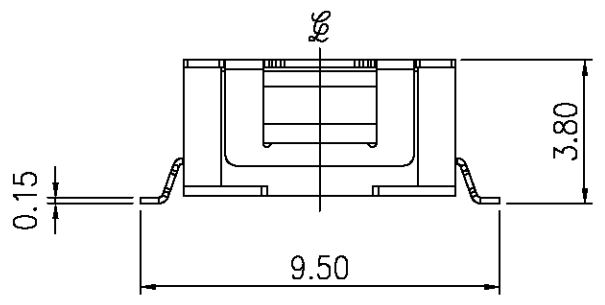


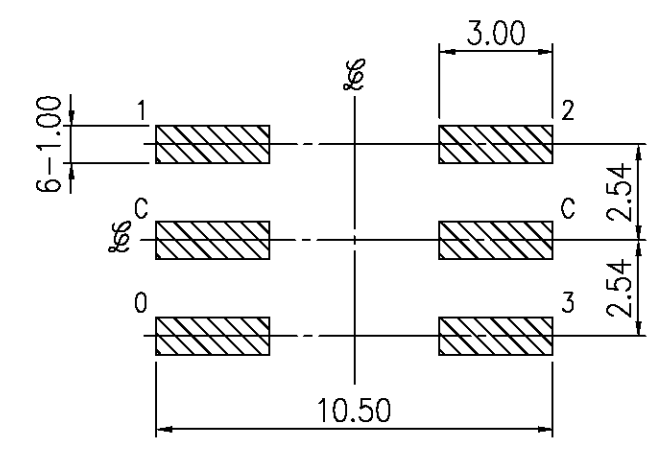
- SPECIFICATIONS:
1. MAXIMUM RATING: 50VDC, 100mA.
 2. MINIMUM RATING: 20VDC, 1μA.
 3. CONTACT RESISTANCE: 100mΩ MAX.
 4. INSULATION RESISTANCE: 100VDC-1000MΩ MIN.
 5. WITHSTAND VOLTAGE: 250VAC-1 MINUTE
 6. ROTARY TORQUE: 40~200gf.cm
 7. TOTAL ROTARY ANGLE: 360° (4 STEPS)
 8. LIFE CYCLE: 10,000 STEPS

CIRCUIT CHART

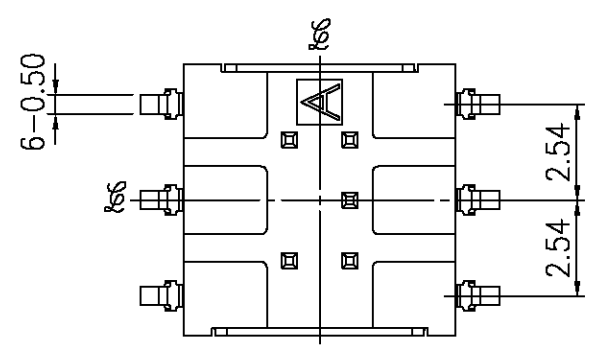
		CODE				
		C	0	1	2	3
POSITIONS	0	●	●			
	1	●		●		
	2	●			●	
	3	●				●



P.C.B. LAYOUT



HATCHED AREA SHOW SOLDERING LAND



NO.	PART NAME	MATERIAL	Q'TY	FINISHING
1	FRAME	LCP+G	1	
2	COVER	SUS	1	
3	ROTOR	LCP+G	1	
4	TERMINAL	PBS	6	Au PLATED
5	CONTACT PLATE	BeCu	1	Au PLATED
6	O-RING	SILICONE RUBBER	1	
7	SPACER	SUS	1	

TACLEX ELECTRONICS CO., LTD.

△			
△			
△			
△			
△			
SYM	DISCRIPTION	DATE	APPROVED

TOLERANCES UNLESS OTHERWISE SPECIFIED LINEAR: ±0.30 ANGULAR: ±3°	SIGNATURES		DATE	TITLE
	DRAWN			ROTARY SWITCH
	CHK'D			NO.
REVISIONS A		SCALE 5/1	APPV'D	RSC-14RM