



Navigation Switches Series

時尚導航，完美呈現。
Navigate with style, Perfectly poised.

Feature

- Easily connected by socket connector.
- Durable, vivid LED illumination.
- Choice of colored caps.
- Choice of painted colored caps.
- Laser marking service.
- Available with small quantity order.

Application

Public building · Home Security ·
Business building ·
Industrial equipment...etc.

特色

- 連接器連接，免焊接方便使用
- LED照光，耐久鮮明
- 提供多種顏色蓋子選擇
- 噴漆色蓋選擇
- 鐳射雕刻服務
- 可少量訂購

使用範圍

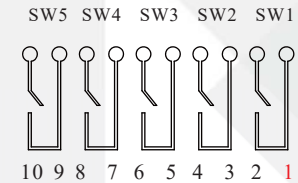
公共空間、居家、商用建築、機械設備

Navigation Switches Series SPD5K



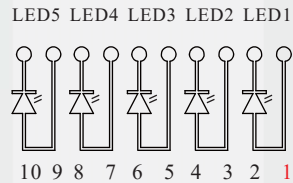
General Specifications	
Switch Circuit	:SP5T (5-key Common bus)
Switch Contact Rating	:50mA @ 12V DC (Max.)
LED Rating	:Limited forward current(IF) at 20mA(max.)
Contact Resistance	:100mOhm Max.(initial)
Insulation Resistance	:100MOhm Min.
Operating Force	:220gf±50gf
Total Travel	:0.3mm±0.1mm
Mechanical Life	:1,000,000 cycles Min.
Operating Temperature	:-10 °C ~ +60 °C
Materials	
Cover	:Polycarbonate (PC)
Reflector	:Polyamide(PA)
Base	:Polyamide(PA)
Action Dome	:Stainless steel with silver plating
Terminal	:Phosphor bronze (PBS) with gold plating

Contact Configuration



Pin	Function	Pin	Function
1	SW COM.	6	SW 3 N.O.
2	SW 1 N.O.	7	SW 4 COM.
3	SW 2 COM.	8	SW 4 N.O.
4	SW 2 N.O.	9	SW 5 COM.
5	SW 3 COM.	10	SW 5 N.O.

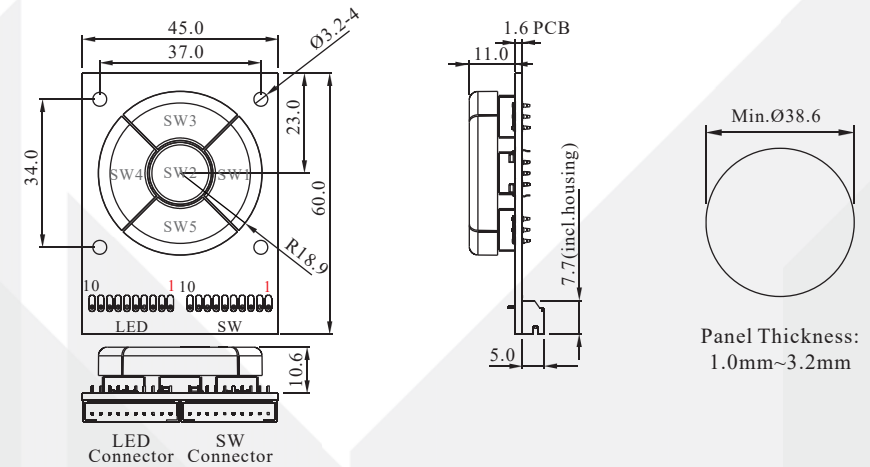
SW Configuration




Pin	Function	Pin	Function
1	LED 1 +	6	LED 3 -
2	LED 1 -	7	LED 4 +
3	LED 2 +	8	LED 4 -
4	LED 2 -	9	LED 5 +
5	LED 3 +	10	LED 5 -

LED Configuration

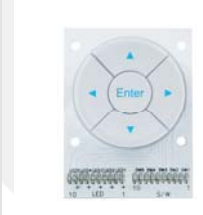
Dimension & Panel cutting



How to order



SPD5K-AM006
Red LED /
Paint Black Cap
with Laser marking



SPD5K-AM014
Blue LED /
Paint White Cap
with Laser marking

※ Color is subject to actual product.
※ We provide Laser Marking service.

Option

