

Navigation Switches Series SNA3



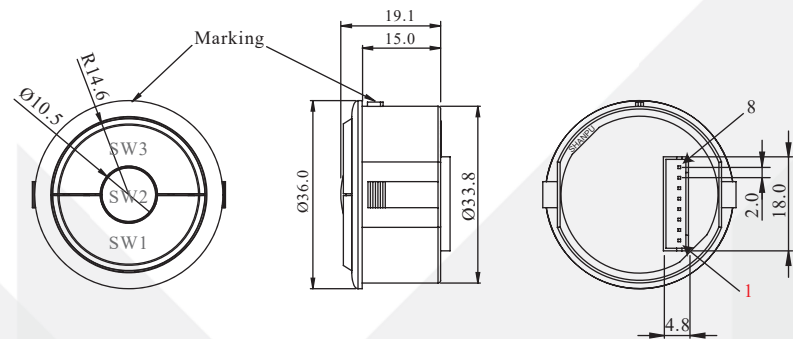
General Specifications

Switch circuit :SP3T (3-key Common bus)
 Switch contact rating :50mA @ 12V DC max.
 LED rating :Limited forward current(IF) at 20mA max.
 Dielectric Withstanding Voltage :250VAC for 1 minute
 Contact Resistance :100m Ohm Max.(initial)
 Insulation Resistance :100M Ohm Min.
 Operating Force :400gf (Max.)
 Total Travel :0.2mm ± 0.1mm
 Mechanical Life :1,000,000 cycles Min.
 Operating Temperature :-10 °C ~ +60 °C

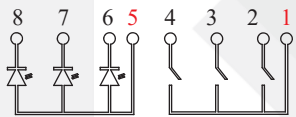
Materials

Cap :Polycarbonate (PC)
 Housing :Polyamide (PA)
 Reflector :Polyoxymethylene (POM)
 Switch Terminal :Brass with gold plating
 Action Dome :SUS with silver plating
 Sealing rubber :Silicone

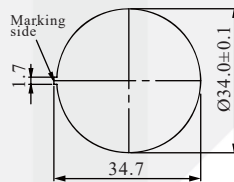
Dimension



Contact Configuration & Panel cutting



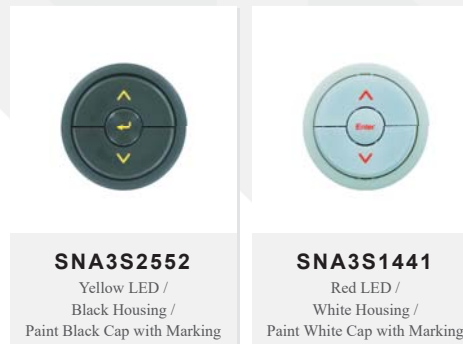
Pin	Function
1	SW COM.
2	SW 1 N.O.
3	SW 2 N.O.
4	SW 3 N.O.
5	LED+
6	LED1-
7	LED2-
8	LED3-



Panel cutting
 Panel thickness :
 1.5~4mm

The Connector for SNA3 module similar JST B8B-PH-K-A
 Applicable Connector:
 Conductor pitch / 2.0mm
 Conductor width / □0.5mm

How to order

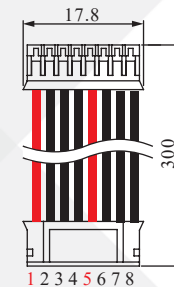


SNA3S2552
 Yellow LED /
 Black Housing /
 Paint Black Cap with Marking

SNA3S1441
 Red LED /
 White Housing /
 Paint White Cap with Marking

※ Color is subject to actual product.
 ※ We provide Laser Marking service.

Option



Cable: YCW011
 Cable:UL1007#26AWG
 Conductor pitch : 2.0mm
 Conductor width : □0.5mm