

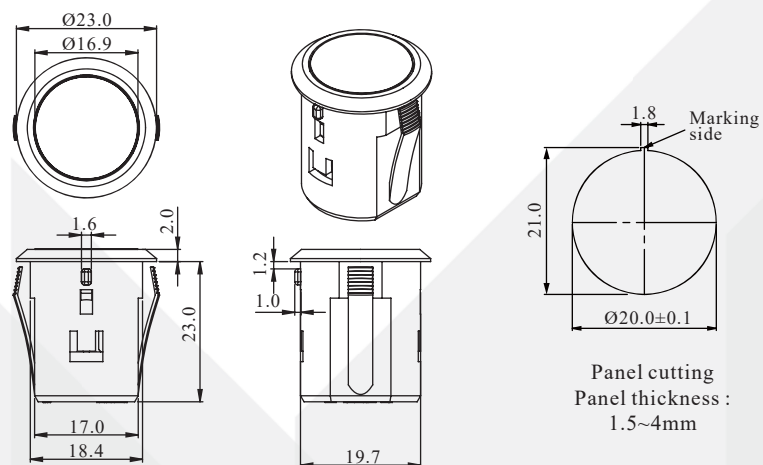
Push Select Series SF20EA



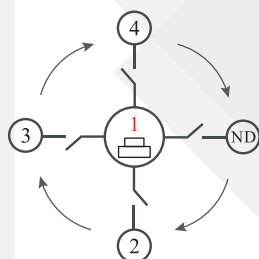
General Specifications
 Switch Circuit :OFF→ON→ON→ON
 Switch Contact Rating :1A @ 30VDC
 Contact Resistance :500mOhm Max.(initial)
 Insulation Resistance :100MOhm Min.
 Operating Force :500gf ± 100gf
 Total Travel :1.5mm ± 0.5mm
 Mechanical Life :100,000 cycles Min.
 Operating Temperature :-10 °C ~ +60 °C

Materials
 Cap :Polycarbonate (PC)
 Housing :Polyamide (PA)
 SW Reflector :Polyacetal(POM)
 SW Terminal :Brass with gold plating
 SW Spring :SUS
 SW Contact :Brass with gold plating

Dimension & Panel cutting




Contact Configuration




Pin	Function
1	COM
2	1-2 N.O.
3	1-3 N.O.
4	1-4 N.O.

How to order



SF20EA551
 Black Housing /
 Black Cap with Marking 1



SF20EA552
 Black Housing /
 Black Cap with Marking 2

※ Color is subject to actual product.
 ※ We provide Marking service.

Option



Cable: YCW016
 Cable:UL1007#26AWG
 Conductor pitch : 2.0mm
 Conductor width : □0.5mm