

Multi-function encoder Switches Series SF25BA



General Specifications

Resolution	:24 pulses / 360°
Push button circuit	:SPST-NO(push)
Contact Rating	:0.5mA @ 5V DC(rotation) 10mA @ 5V DC(Center push)
LED rating	:Limited forward current(IF) at 20mA max
Contact Resistance	:500m Ohm Max.(initial)for Push
Insulation Resistance	:100M Ohm Min.
Operating Force	:Rotation Max. 30~200gf.cm Push Max. 450gf±200gf
Switching stroke	:0.5(+0/-0.3)mm
Mechanical Life	:Rotation - 30,000 operations Push - 20,000 operations
Operating Temperature	:-10 °C ~ +70 °C

Materials

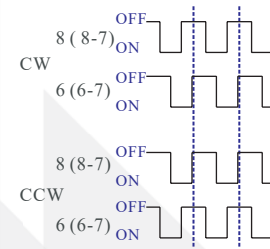
Housing	:Polyamide (PA)
Cap	:Polycarbonate (PC)
Waterproof part	:Silicone rubber
Nuts	:Polyamide(PA)
Washer	:Rubber

Feature

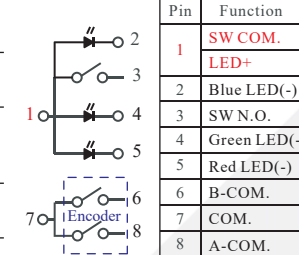
- Panel cutting Ø25 mm
- Front Panel IP65
- Push Switches
- Dual, RGB LED Illuminated
- Marking service

Contact Configuration

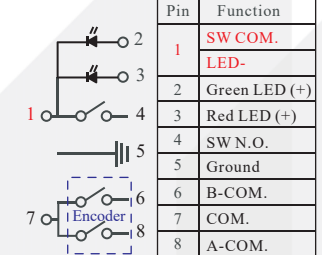
/ Rotation



/ RGB LED



/ Dual LED

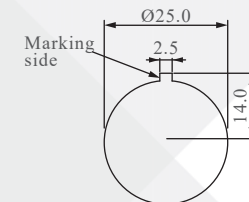
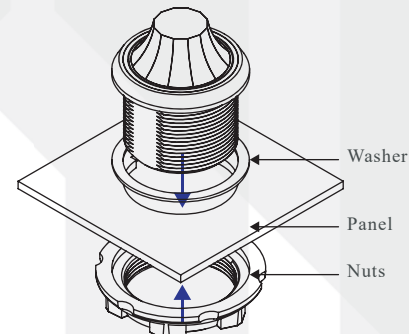


Numbers of detent : 24
Pulse / Rotation : 24 pulse / 360°
for each phase.(1 click 1 pulse)

Recommend add resistor
to limited each LED
forward current at 20mA

Recommend add resistor
to limited each LED
forward current at 20mA

Installation Notes & Panel Cutting



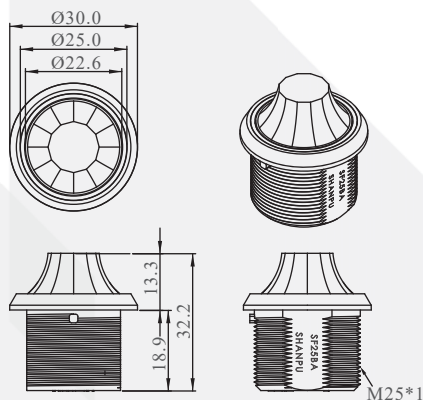
Panel thickness
1.5~4mm

The Connector for SF25BA module
similar JST BM08B-SRSS-TB
Applicable Connector:
Conductor pitch / 1.0mm
Conductor width / □0.2mm

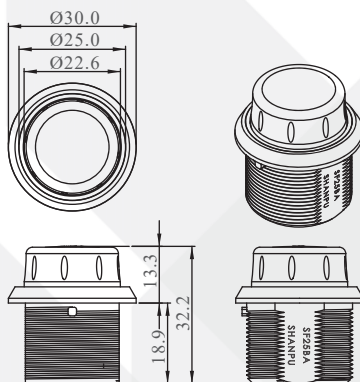
Multi-function encoder Switches Series SF25BA

Dimension

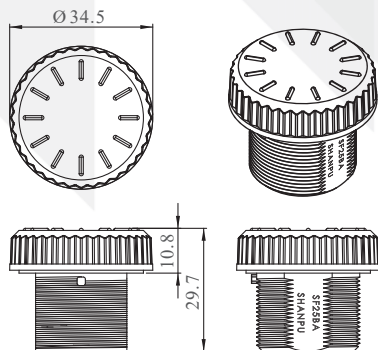
/ Knob type : Type 1, Type 2



/ Knob type : Type 3, Type 4



/ Knob type : Type 5, Type 6



How to order



SF25BAK551

Green , Red LED /
Black Housing /
Black Cap type 1



SF25BA9552

Red , Green , Blue LED /
Black Housing /
Black Cap type 2



SF25BA9553

Red , Green , Blue LED /
Black Housing /
Black Cap type 3



SF25BAK554

Green , Red LED /
Black Housing /
Black Cap type 4



SF25BA9555

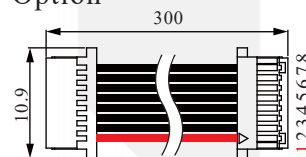
Red , Green , Blue LED /
Black Housing /
Black Cap type 5



SF25BA9556

Red , Green , Blue LED /
Black Housing /
Black Cap type 6

Option



Cable: YCW014
Cable: UL3302#28AWG
Conductor pitch : 1.0mm
Conductor width : 0.2mm