

Navigation Switches Series SF30BA



Application

- Industrial equipment
- Public building
- CNC Machine tool
- Medical equipment
- Robot
- Transportation

Feature

- Panel cutting Ø30mm
- Front Panel IP65
- 5 Key Navigation Switches
- LED Illuminated
- Metal Housing

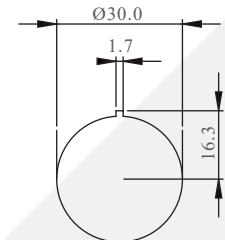
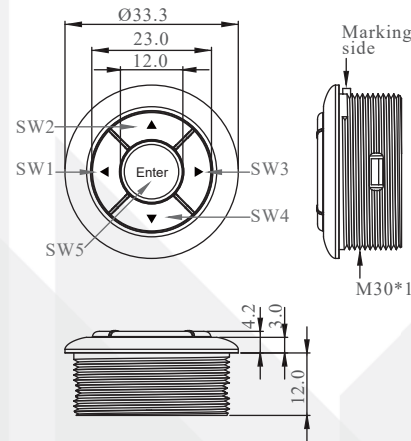
General Specifications

Switch Circuit :SP5T (5-key Common bus)
 Switch Contact Rating :50mA @ 12V DC max.
 LED rating :Limited forward current(IF) at 20mA max
 Contact Resistance :500m Ohm Max.(initial)
 Insulation Resistance :100M Ohm Min.
 Operating Force :400gf±200gf(S1~4)
 250gf±100gf(S5)
 Total Travel :0.5mm ± 0.3mm
 Mechanical Life :200,000 cycles Min.
 Operating Temperature :-25 °C ~ +60 °C

Materials

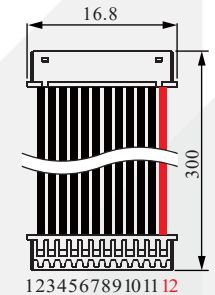
Housing :Aluminum
 Cap :Polycarbonate (PC)
 Reflector :Silicone
 Nuts :Polyamide(PA)
 Base :Acrylonitrile Butadiene Styrene (ABS)
 Washer :NBR
 SUS Washer :SUS

Dimension & Panel Cutting



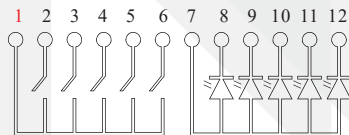
Panel cutting
 Panel thickness :
 1.5~4.0mm

Option



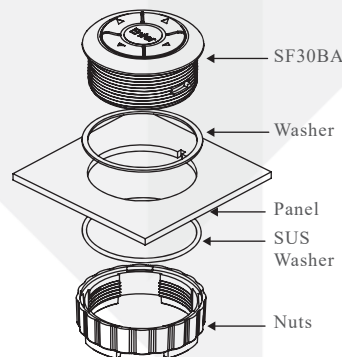
Cable: YCW024
 Cable:UL1571#28AWG
 Conductor pitch : 1.25mm
 Conductor width : Ø0.3mm

Contact Configuration & Installation Notes



Pin	Function	Pin	Function
1	SW COM.	7	LED (+)
2	SW 1 N.O.	8	SW 1 LED(-)
3	SW 2 N.O.	9	SW 2 LED(-)
4	SW 3 N.O.	10	SW 3 LED(-)
5	SW 4 N.O.	11	SW 4 LED(-)
6	SW 5 N.O.	12	SW 5 LED(-)

Recommend add resistor to limited each LED forward current at 20mA



How to Order



SF30BA4051
 White LED /
 Silver Housing /
 Paint Black Cap with Marking



SF30BA5551
 Pure Green LED /
 Black Housing /
 Paint Black Cap with Marking



SF30BA7051
 Blue LED /
 Silver Housing /
 Paint Black Cap with Marking

※ Color is subject to actual product.
 ※ We provide Laser Marking service.