

Rotary encoder with LED Switches SLD

General Description

Display LED
 Color : White LED (L1~L30)
 Rating : 3.3V~3.8V at 20mA/each LED

Rotary Encode : Transmissive Optical Sensor
 Type of actuation : Rotary feedback
 Power Supply : 5V
 Output Signal : HI / LO
 Revolution : 36 step per revolution
 Operating Life : C.W. 100,000
 & C.C.W 100,000 cycles min.
 Operating Force : 1 kgf-cm (Max.)

Switch
 Output Signal : HI / LO
 Type of actuation : Tactile feedback
 Total Travel : 0.3 ± 0.15mm
 Operating Force : 800 ± 300gf
 Operating Life : 100,000 Cycles

Insulation Resistance : 100M Ohm Min.
 Dielectric strength : 250V AC/Min
 Operation Temperature : -20°C~ 80°C
 IP Code : IP65

Materials
 Lens : Polycarbonate (PC)
 Base : Polycarbonate (PC)
 Washer : NBR
 Nut : Polyamide(PA)
 Knob : Polyamide(PA)/ Aluminum

The connector on the SLD module is similar JST GHR-12V-S
 Applicable Connector:
 Conductor pitch / 1.25mm
 Conductor width / □0.2mm



- Feature**
- Panel cutting Ø25mm
 - Front Panel IP65
 - Pushbutton Switches
 - White LED backlight
 - Rotary Encoder
 - Marking service

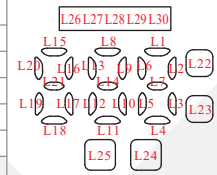
- Application**
- Industrial equipment
 - Home Security
 - Public building
 - Medical equipment
 - Business building

PAT. M633184
 PAT. ZL 202221775605.4

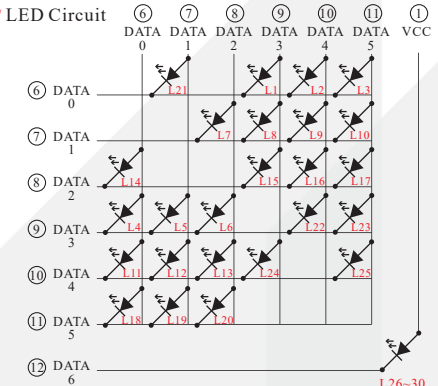
Pin Description & Contact Configuration

/ Pin function

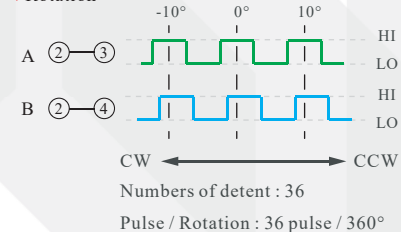
Pin	Name	Function
1	VCC	VCC for Rotary Encoder, 5V
2	GND	Switch COM. & Rotary Encoder COM.
3	A	Rotary Encoder A
4	B	Rotary Encoder B
5	SW	Switch N.O.
6	White LED	DATA 0
7	White LED	DATA 1
8	White LED	DATA 2
9	White LED	DATA 3
10	White LED	DATA 4
11	White LED	DATA 5
12	White LED	DATA 6



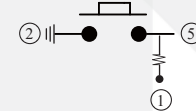
/ LED Circuit



/ Rotation



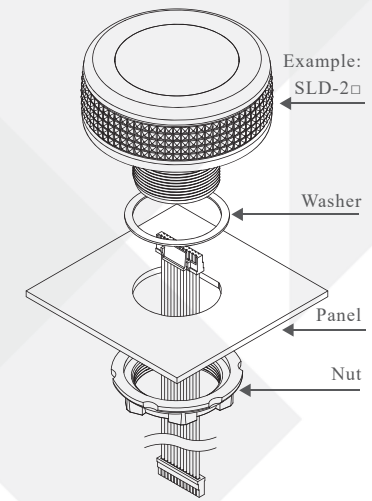
/ Switch



/ Panel cutting

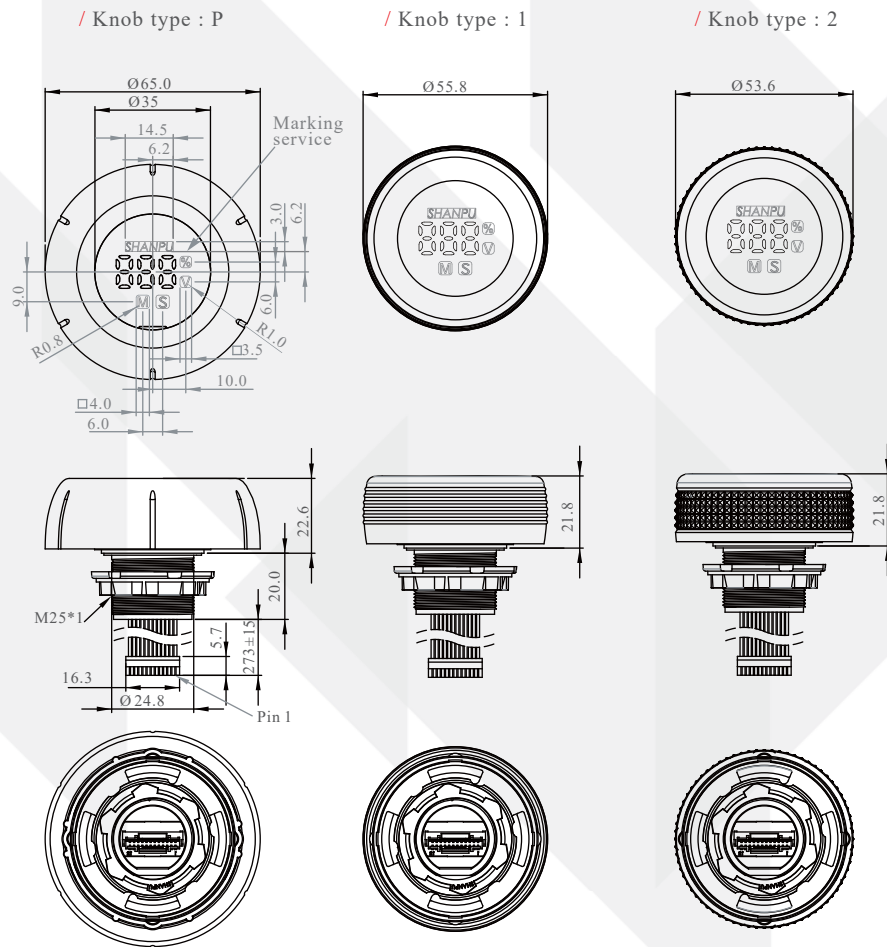


/ Installation Notes



Rotary encoder with LED Switches SLD

Dimension



How to order



SLD-PL

Knob type P / Silver / Plastic



SLD-10

Knob type 1 / Silver / Aluminum



SLD-2L

Knob type 2 / Silver / Plastic



SLD-P5

Knob type P / Black / Plastic



SLD-15

Knob type 1 / Black / Aluminum



SLD-25

Knob type 2 / Black / Plastic

Rotary encoder with LED Switches SLD

Option

/ Development Kit P/N : K-SLD-01

The SLD demo program develop by ESP32 system. ESP32 is an open-source electronic platform based on easy-to-use hardware and software. Use Arduion-ESP32 IDE, so user can very easy to use SLD through SLD development kit from ESP32.

Dimension(Without cable):85mm(W)*50mm(D)*18.5mm(H)

