



SPECIFICATIONS

RATING : 5-24V / 1A DC

OPERATING LIFE : 50 Million cycles min.

CONTACT RESISTANCE : 1Ω MAX.

OPERATING TEMPERATURE: -20°C to 65°C.

INGRESS PROTECTION: IP68 (In house test)

MATERIALS

BUSHING: Aluminum alloy / Stainless steel.

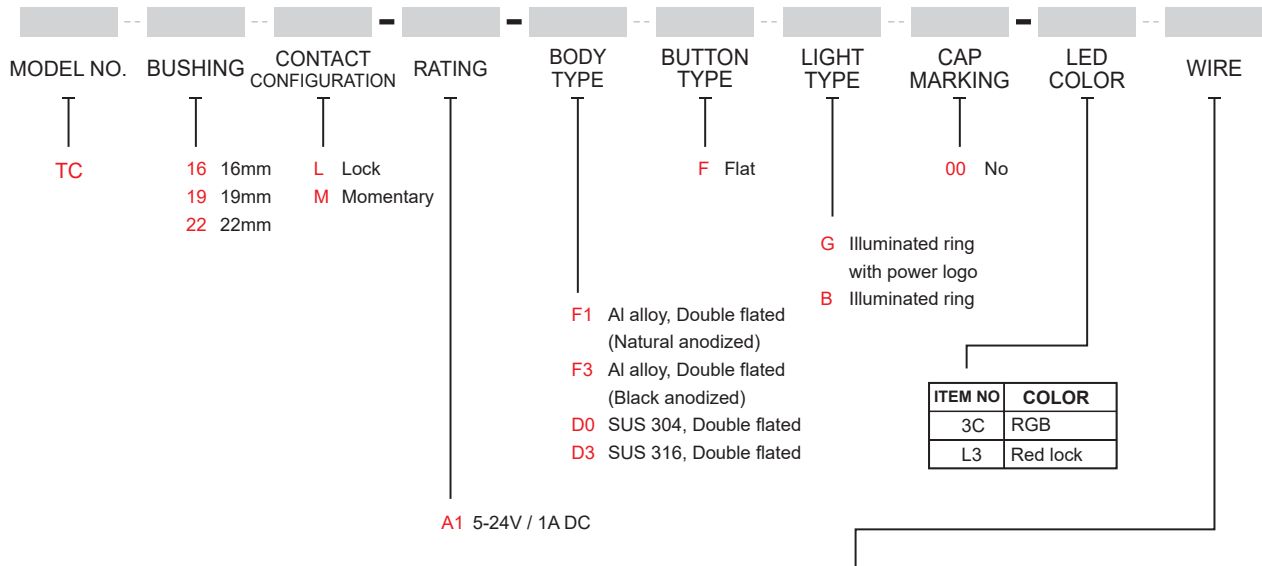
CAP : PC ; Aluminum alloy / Stainless steel.

SEALING : Silicone, EPOXY.

O-RING: Silicone.

HEX NUT : Nickel plated brass.

HOW TO ORDER



Available with TC16 model only

- D201 26AWG 150mm+2.54 2x3 Connector (std)
- D202 26AWG 300mm+2.54 2x3 Connector

Available with TC19 / TC22 model only

- D101 26AWG 150mm+2.54 1x6 Connector (std)
- D102 26AWG 300mm+2.54 1x6 Connector

Note: Please consult sales for additional wire options.

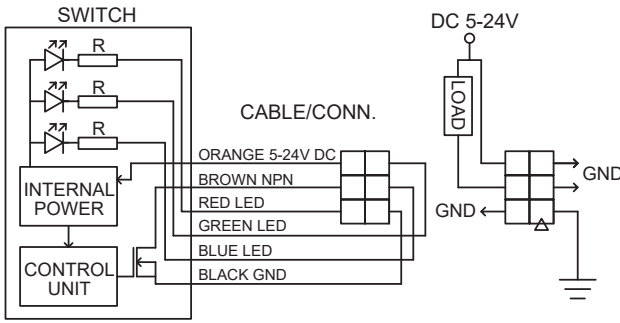
EXAMPLE:

TC16L-A1-□F□00-3CD201(STD)
 Light options
 Body options

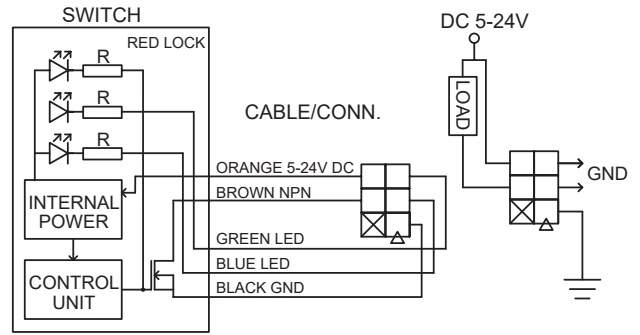
TC19L-A1-□F□00-3CD101(STD)
 Light options
 Body options

▼ **CIRCUIT**

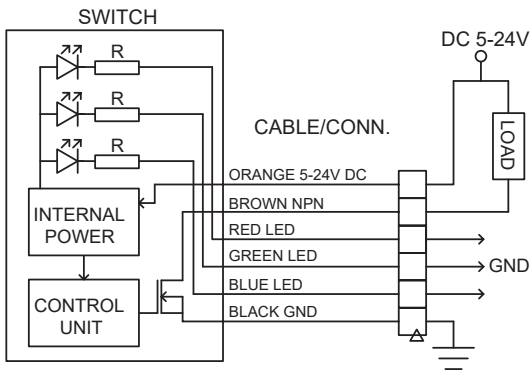
3C RGB LED application diagram
Available with TC16 model only



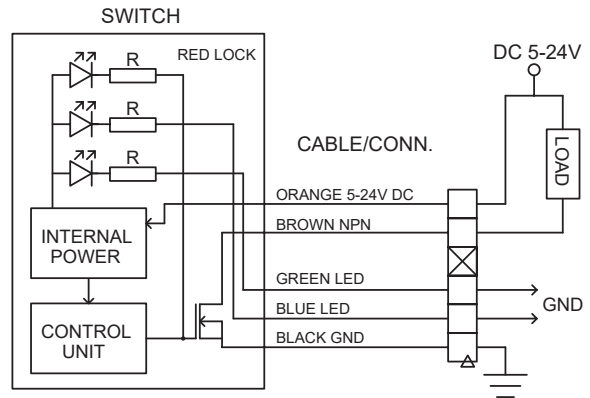
L3 Red LED application diagram
Available with TC16 model only



3C RGB LED application diagram
Available with TC19 and TC22 model only

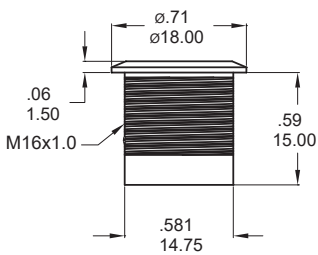


L3 Red LED application diagram
Available with TC19 and TC22 model only

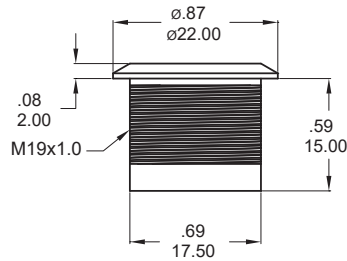


▼ **BUSHING OPTIONS**

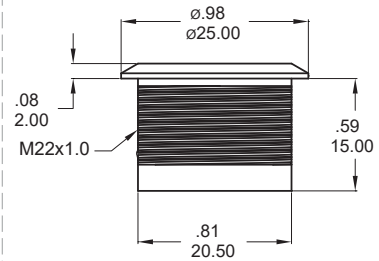
16 16mm



19 19mm

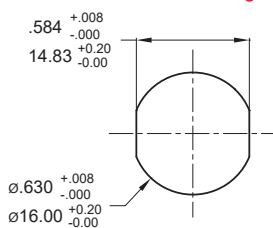


22 22mm

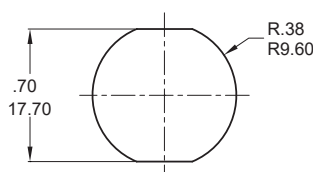


▼ **PANEL MOUNTING**

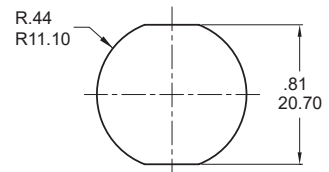
16mm Bushing



19mm Bushing



22mm Bushing



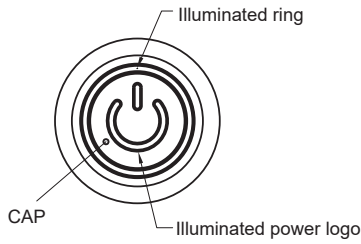
Panel thickness: .315inch(8.0mm) MAX.

Panel thickness: .394inch(10.0mm) MAX.

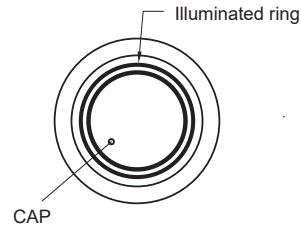


▼ LIGHT OPTIONS

G Illuminated Ring with Power logo

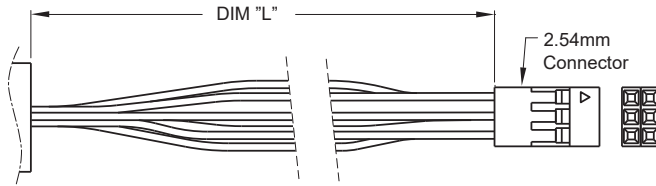


B Illuminated Ring



▼ WIRE

D20X Wire leads 26 AWG ※ Available with TC16 Model only.



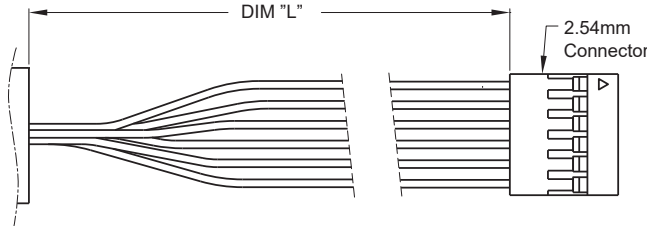
Wires:

CODE	DIM "L"
D201	150
D202	300

Units: mm

- Orange wire - 5-24V DC
- Brown wire - NPN
- Red wire - Red LED
- Green wire - Green LED
- Blue wire - Blue LED
- Black wire - GND

D10X Wire leads 26 AWG ※ Available with TC19 / TC22 Model only.



Wires:

CODE	DIM "L"
D101	150
D102	300

Units: mm

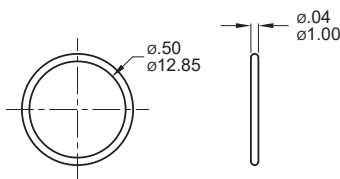
- Orange wire - 5-24V DC
- Brown wire - NPN
- Red wire - Red LED
- Green wire - Green LED
- Blue wire - Blue LED
- Black wire - GND

▼ HARDWARE

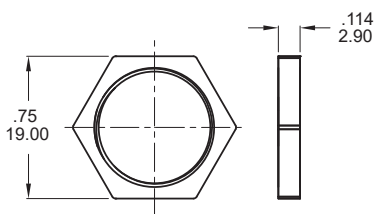
- * Standard hardware : 1 nut, 1 O-ring
- * For further information please consult sales representative.

Available with bushing 16 only

O-RING (Std.)
Model name. FCP-MP602

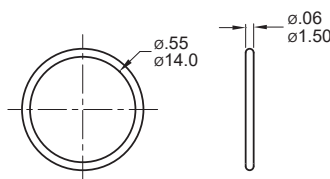


NUT (Std.)
Model name. MNU-PY01

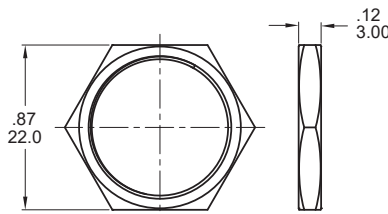


Available with bushing 19 only

O-RING (Std.)
Model name. FCP-PY02

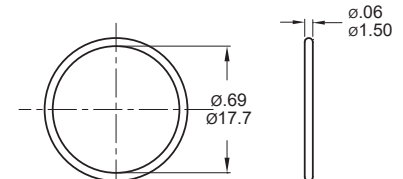


NUT (Std.)
Model name. MNU-MPB01



Available with bushing 22 only

O-RING (Std.)
Model name. FCP-MPB07



NUT (Std.)
Model name. MNU-MPB02

