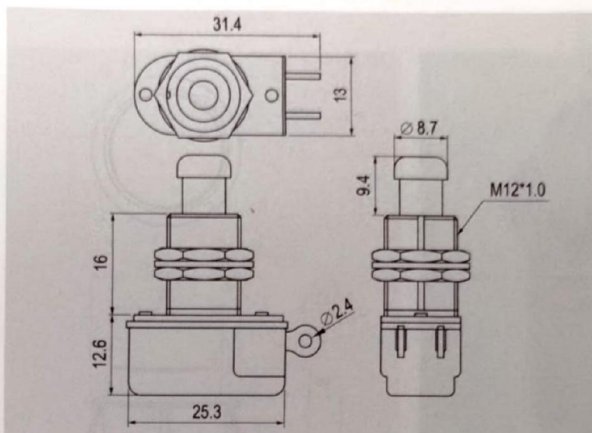
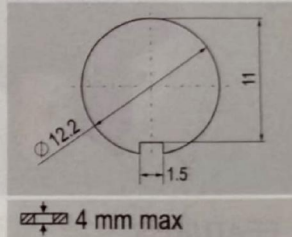


脚踏开关

Metal Bushing / Screw Type



Rating
6A 125V AC 3A 250V AC
Contact resistance
50mΩ Max
Insulation resistance
DC 500V 100MΩ Min
Dielectric strength
AC 1500V 1 minute
Cut-out



FEATURES

- * MATERIAL: Frame is stainless plate. Bushing and toggle are nickel plated metal. Base is phenolic.
- * Mounted by nut.

FUNCTION	BUTTON TYPE and DIM		TERMINAL
A 	1 BUTTON: brass with Ni plated A Dim: push on: 8.6 push off: 7.9 	3 BUTTON: brass with Ni plated A Dim: push on: 8.5 push off: 7.8 	0 5 SO 0 8 SC 6-32UNC
	2 BUTTON: brass with Ni plated A Dim: push on: 9.5 push off: 8.8 		1 1 WIRE for R13-85B



* () =momentary