

FEATURES

- ※ Miniature 2.9x3.5mm
- ※ Vertical or side actuation
- ※ Long operating life

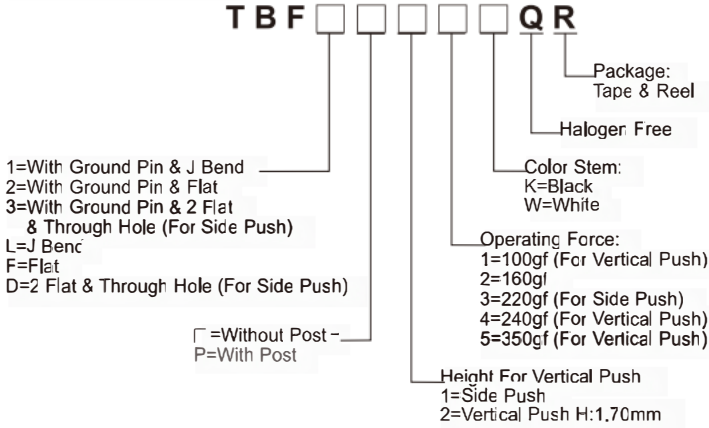
APPLICATION

- ※ Mobile phone
- ※ Consumer electronics
- ※ Automotive

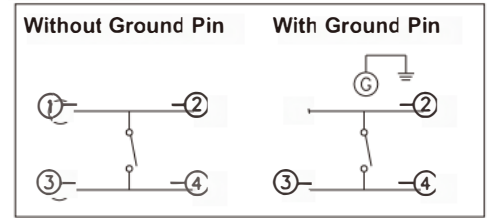
SPECIFICATION

Contact Rating	10µA, 2V DC to 20mA, 15V DC
Contact Resistance	100mΩ max.
Insulation Resistance	100MΩ min. 100V DC
Dielectric Strength	250V AC/minute
Operating Force	100±50/160±50/240±80/350±100gf (Vertical Push)
	160+70/-40 220+80/-70gf (Side Push)
Travel	0.15mm (Vertical Push)
	0.20mm (Side Push)
Operating Life	100,000 cycles for Side Push
	200,000 cycles for 160/240/350gf 1,000,000 cycles for 100gf (Vertical Push)
Operating Temp.	-40 °C ~ +85 °C
Storage Temp.	-40 °C ~ +85 °C

HOW TO ORDER



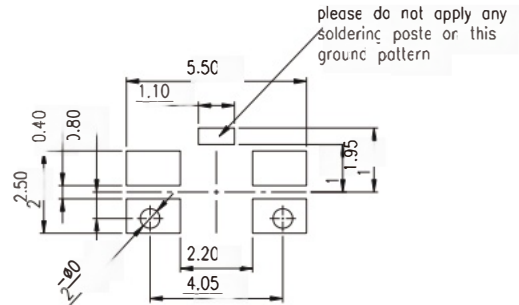
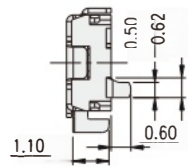
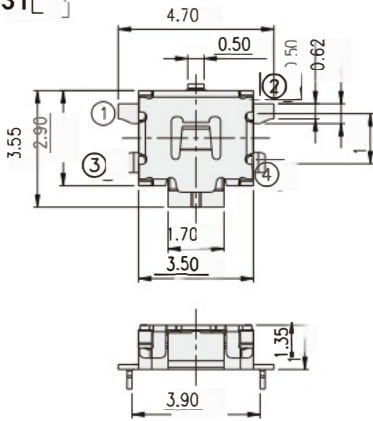
CIRCUIT



PACKAGE

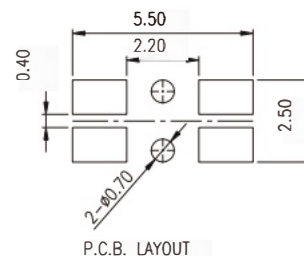
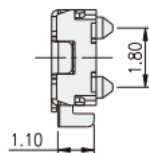
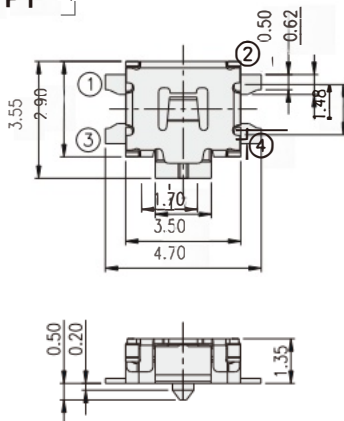
<Tape & Reel>
3000 pcs

TBF31 []



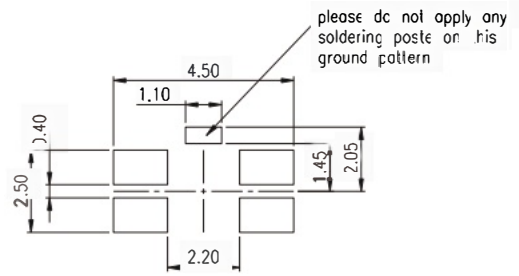
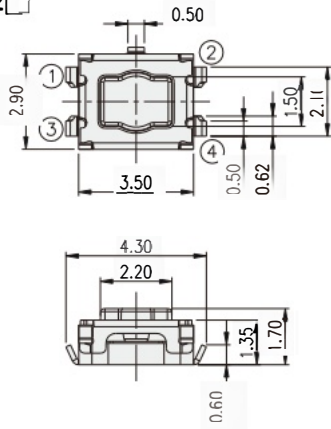
P.C.B. LAYOUT

TBFFP1 []



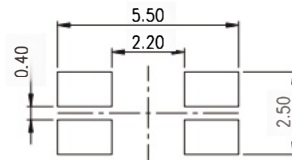
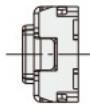
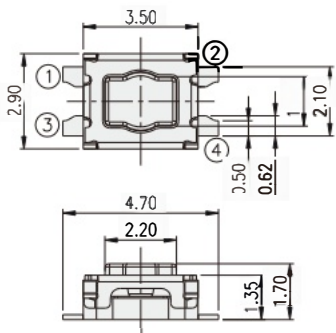
P.C.B. LAYOUT

TBF12 □



P.C.B. LAYOUT

TBFF2 □



P.C.B. LAYOUT