

TCF

FEATURES

- ※ Miniature 2.9x4.5mm
- ※ Side push mid-mount type
- ※ 200,000 operating life cycles

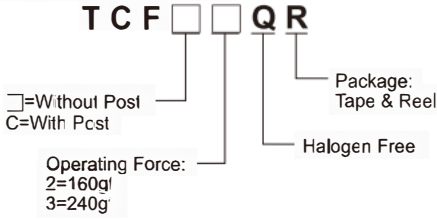
APPLICATION

- ※ Smart phone
- ※ Portable personal audio
- ※ Digital camera

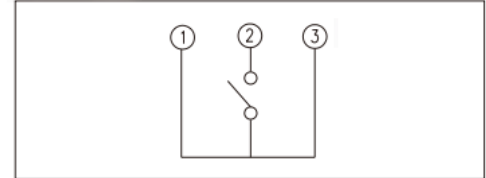
SPECIFICATION

Contact Rating	10μA, 2V DC to 20mA, 15V DC
Contact Resistance	1000mΩ max
Insulation Resistance	100MΩ min. 100V DC
Dielectric Strength	250v AC/1 minute
Operating Force	160±50gf/240±70gf
Travel	0.15mm
Operating Life	200,000 cycles
Operating Temp.	-40 °C ~ +85 °C
Storage Temp.	-40 °C ~ +85 °C

HOW TO ORDER



CIRCUIT

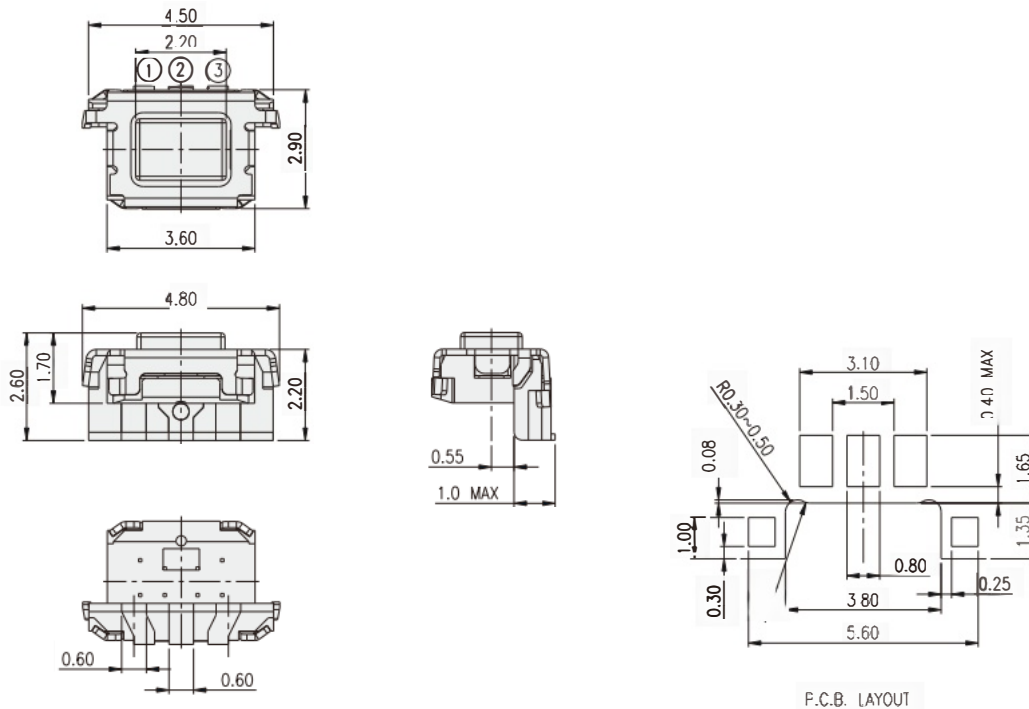


PACKAGE

<Tape & Reel>
2400 pcs

TACT SWITCH

TCF



TACLEX