



TCK

FEATURES

- ※ Side-operational type
- ※ PCB-base structure
- ※ Sealed with dust proof

APPLICATION

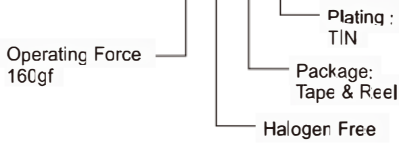
- ※ Smart phone
- ※ Portable devices

SPECIFICATION

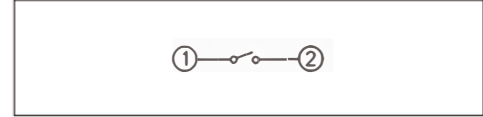
Contact Rating	20mA, 12V DC
Contact Resistance	100mΩ max.
Insulation Resistance	100MΩ min. 100V DC
Dielectric Strength	250V AC/1 minute
Operating Force	160±50gf
Travel	0.2mm
Operating Life	200,000 cycles
Operating Temp.	-40°C ~ +85°C
Storage Temp.	-40 °C ~ +85 °C

HOW TO ORDER

TCK2QRS



CIRCUIT



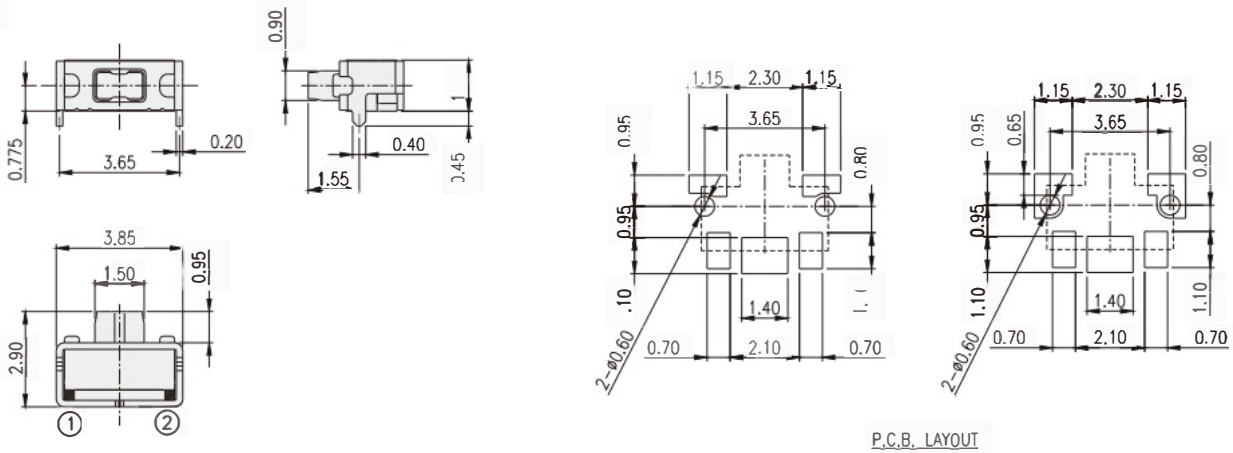
PACKAGE

<Tape & Reel>
3000 pcs

TACLEX

TACT SWITCH

TCK



P.C.B. LAYOUT