



TACLEX

Illuminated Tactile & Rotary Switches Series SF39EC



General Specifications

Rotary Switch : SP6T
 Current Rating : 130mA (Max)
 Voltage Rating : 150V DC/AC (Max)
 Indexing Angle : 30° (6 Position)
 Mechanical Life : 20,000 cycles min.
 Operating Force : 1kgf-cm(Max.)

Tactile Switch : SPST
 Rating : 50mA@12V DC
 Mechanical Life : 200,000 cycles min.
 Total Travel : 0.15mm± 0.1mm
 Operating Force : 380gf±150gf

White LED Rating : 20mA@12V DC

Contact Resistance : 1 Ohm Max.(initial)
 Insulation Resistance : 100M Ohm Min.
 Operating Temperature : -10 °C ~ +60°C

Materials

Cap : Polycarbonate(PC)
 Base : Polyamide(PA)
 Housing : Silver:Polyamide(PA)
 Black :Polycarbonate(PC)
 Nuts : Polyamide(PA)
 Rubber O-ring : Rubber
 SUS Washer : SUS

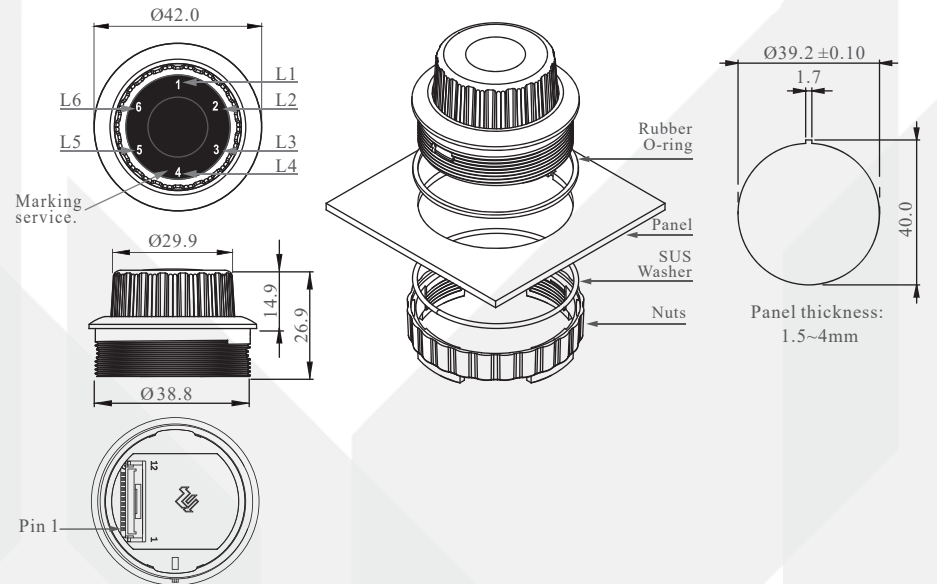
Application

- Automated control
- Home automation
- Security system
- Broadcast equipment
- Studio equipment

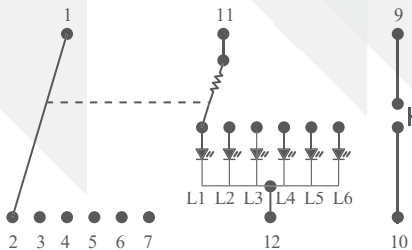
Feature

- Panel cutting Ø39mm
- White LED illuminated
- Rotary & Tactile Switch
- Easy to install
- Marking services

Dimension Installation Notes & Panel Cutting



Configuration



Pin	Function	Pin	Function
1	Rotary SW COM.	7	Rotary SW COM.
2	Rotary SW N.O.	8	NON
3	Rotary SW N.O.	9	Tactile SW COM.
4	Rotary SW N.O.	10	Tactile SW N.O.
5	Rotary SW N.O.	11	White LED (+)
6	Rotary SW N.O.	12	White LED (-)

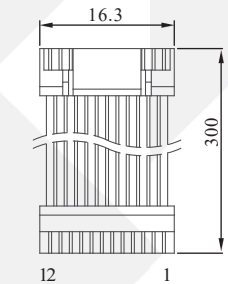
The connector on the SF39EC module is similar JST GHR-12V-S
 Applicable Connector:
 Conductor pitch / 1.25mm
 Conductor width / 0.2mm

How to order



※ Color is subject to actual product.

Option



Cable: YCW047
 Cable:UL 1571#28AWG
 Conductor pitch : 1.25mm
 Conductor width : 0.2mm