





# MW25 Series

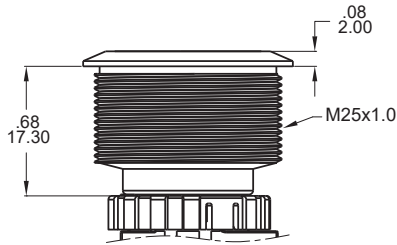
25mm High Current Metal Pushbutton Switches



MW25 Pushbutton Switches

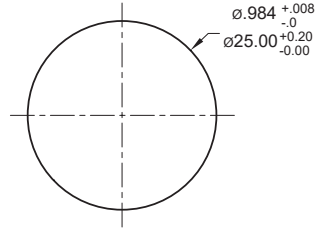
## ▼ BODY OPTIONS

A0 / C3



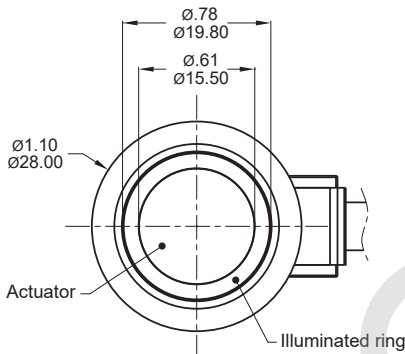
## PANEL MOUNTING

Max. Panel thickness: .394inch(10.0mm)

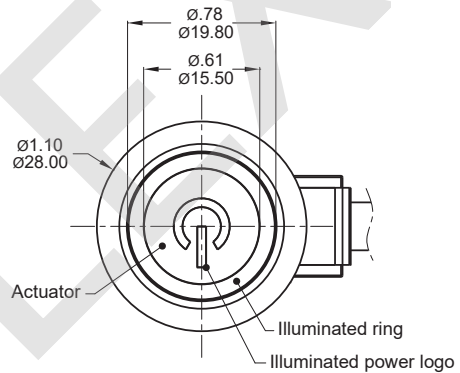


## ▼ LIGHT OPTIONS

E Ring Moveable



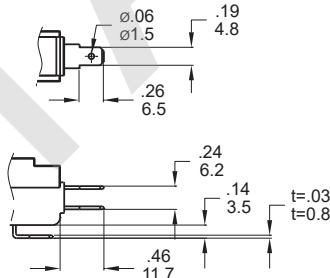
L Ring+Power logo



## ▼ TERMINAL OPTIONS

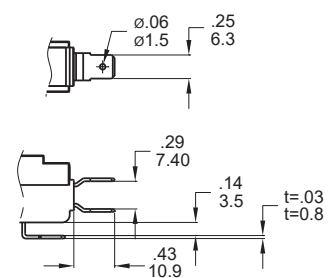
#187 Only 16A

Quick-connect terminal (t=0.3inch(0.8mm))



#250 Only 26A

Quick-connect terminal (t=0.3inch(0.8mm))



## ▼ CIRCUIT

