



MW22 Series

22mm High Current Metal Pushbutton Switches



MW22 Pushbutton Switches



SPECIFICATIONS

RATING : 16A, 26A 250/125VAC.

CONTACT RESISTANCE : 50 mΩ max. @ 1A 12VDC (initial value)

INSULATION RESISTANCE : 100 MΩ min. at 500VDC

DIELECTRIC STRENGTH : 1,500V RMS @ sea level (initial value)

OPERATION TEMPERATURE : -25°C to 85°C

MECHANICAL LIFE : Momentary 1,000,000 cycles

Latching 500,000 cycles

ELECTRICAL LIFE : 16A /125&250VAC 50,000 cycles

26A /125&250VAC 10,000 cycles

OPERATION PRESSURE : 3.5±1.5N

TRAVEL : About 3.2mm

INGRESS PROTECTION : IP67(In house test), IK08(Stainless)

TORQUE: 1~3Nm.

MATERIALS

BUSHING : Stainless Steel / Aluminum alloy

BASE : PBT(UL 94-V0) , PC(UL 94-V2)

ACTUATOR : PC ; Stainless Steel / Aluminum alloy

INNER ASSEMBLY : POM / PA66.

SPRING : Steel.

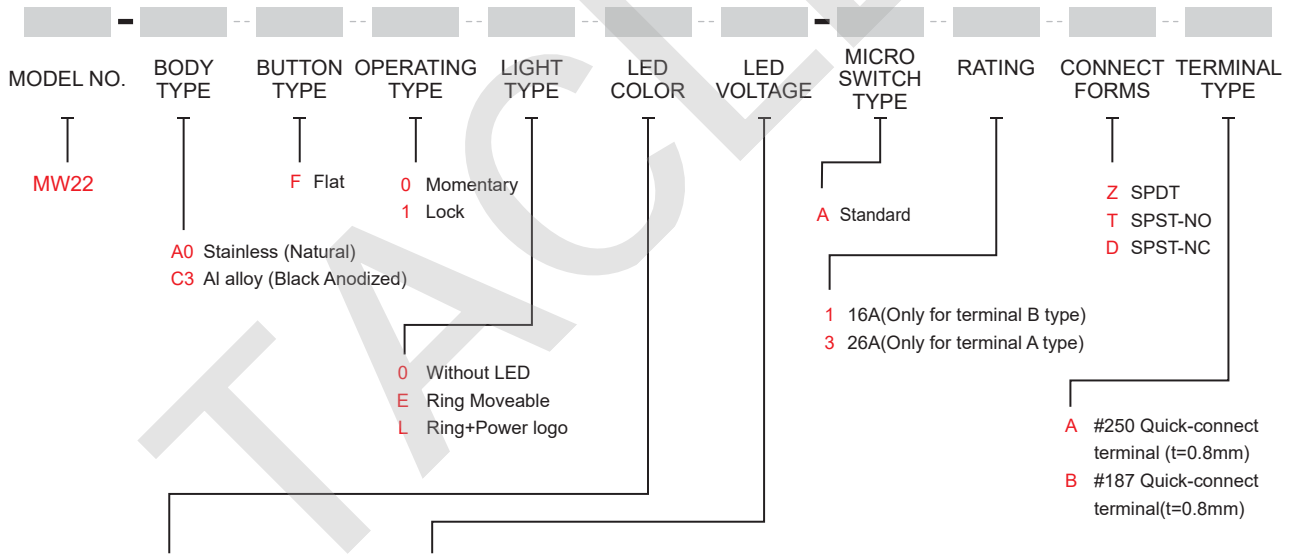
SEALING : Silicone.

O-Ring : Silicone.

TERMINAL: Brass, Silver plated.

HEX NUT : Nickel plated brass.

HOW TO ORDER



ITEM NO	COLOR
Single Color LED	
0	Without LED
1	White
3	Red
5	Yellow
6	Green
7	Blue
Dual Color LED	
A	Red+Green
B	Red+Blue

*

LED Voltage (20mA)

ITEM NO	VOLTAGE
0	Without Resistor
3	3V
6	6V
12	12V
24	24V
36	36V
110	110V
220	220V

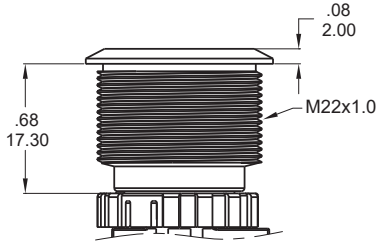
* Except standard color, for other colors information please consult sales representative.

EXAMPLE:



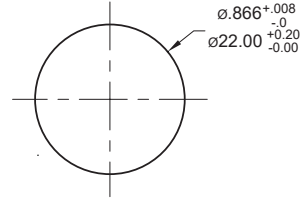
▼ **BODY OPTIONS**

A0 / C3



PANEL MOUNTING

Max. Panel thickness: .394inch(10.0mm)

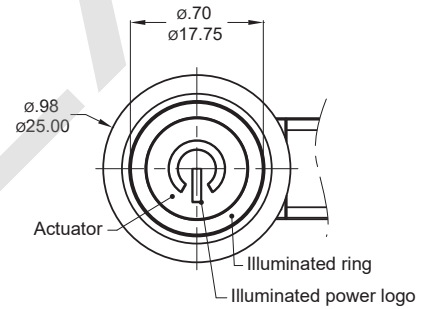
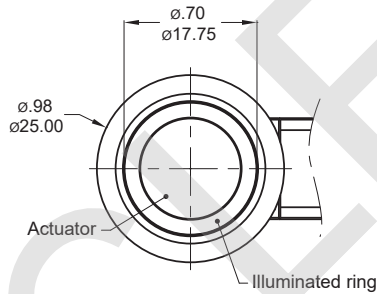
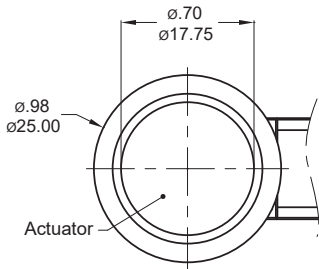


▼ **LIGHT OPTIONS**

0 Without LED

E Ring Moveable

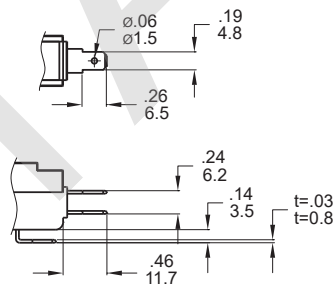
L Ring+Power logo



▼ **TERMINAL OPTIONS**

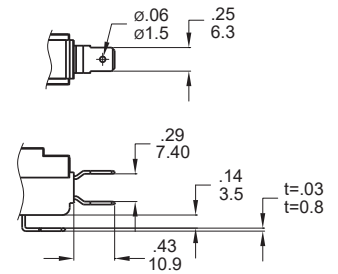
#187 Only 16A

Quick-connect terminal (t=0.3inch(0.8mm))



#250 Only 26A

Quick-connect terminal (t=0.3inch(0.8mm))

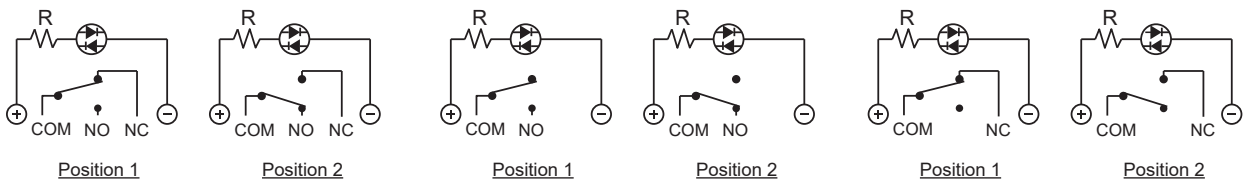


▼ **CIRCUIT**

SPDT

SPST-NO

SPST-NC





MW22 Series

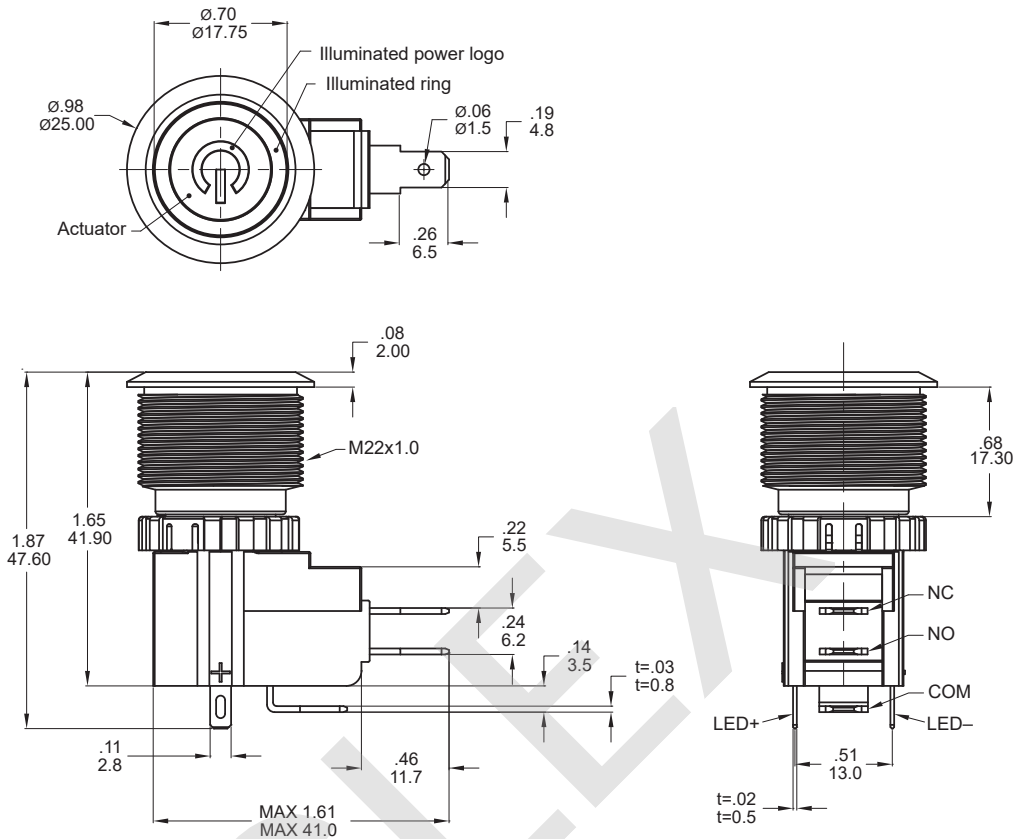
22mm High Current Metal Pushbutton Switches



MW22
Pushbutton Switches

▼ DIMENSION

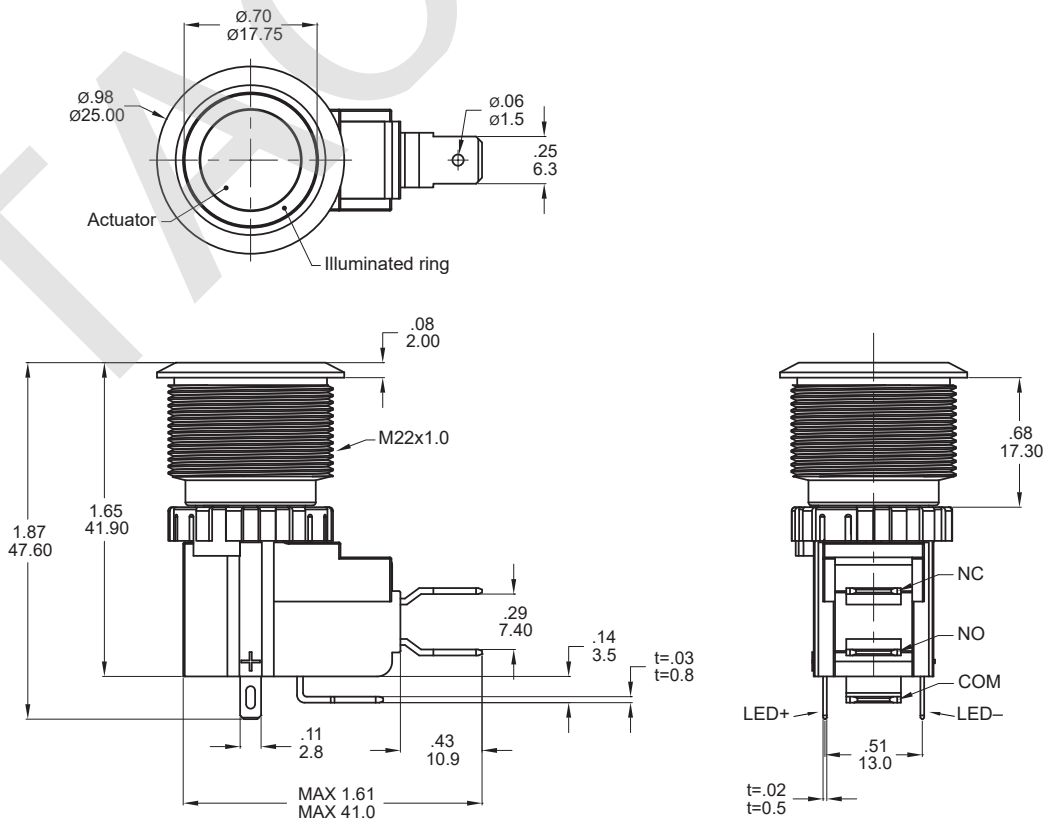
16A



SPDT

Model name. MW22-A0F0L712-A1ZB

26A



SPDT

Model name. MW22-A0F0E612-A3ZA