



MPS25 Series

25mm Short Metal Pushbutton Switches

IP 67
ACCORDING TO
EN 60529:1989+A1:2001
IEC 60529:2001

UL US
E 187490

RoHS
compliant

Pb
lead-free

MPS25
Pushbutton Switches



SPECIFICATIONS

RATING : 2A/36VDC

ELECTRICAL LIFE: 200,000 make-and-break cycles at full load.

MECHANICAL LIFE: 1,000,000 cycles.

DIELECTRIC STRENGTH: 2,000V RMS@sea level

CONTACT RESISTANCE: 50mΩ MAX.@1A 12VDC(initial value)

OPERATING TEMPERATURE: -20°C to 70°C

TRAVEL: ABOUT 1.8mm

OPERATION PRESSURE: 4.5±1.5N

INGRESS PROTECTION: IP67, IK10(Stainless)

TORQUE: 1~3Nm

MATERIALS

BUSHING : Stainless Steel

BASE : PA66, White UL-94V0

ACTUATOR : PC, Translucent UL-94V2, Stainless Steel

INNER ASSEMBLY : PC, Transparent UL-94V2

SPRING : Spring steel

SEALING : Silicone, Translucent

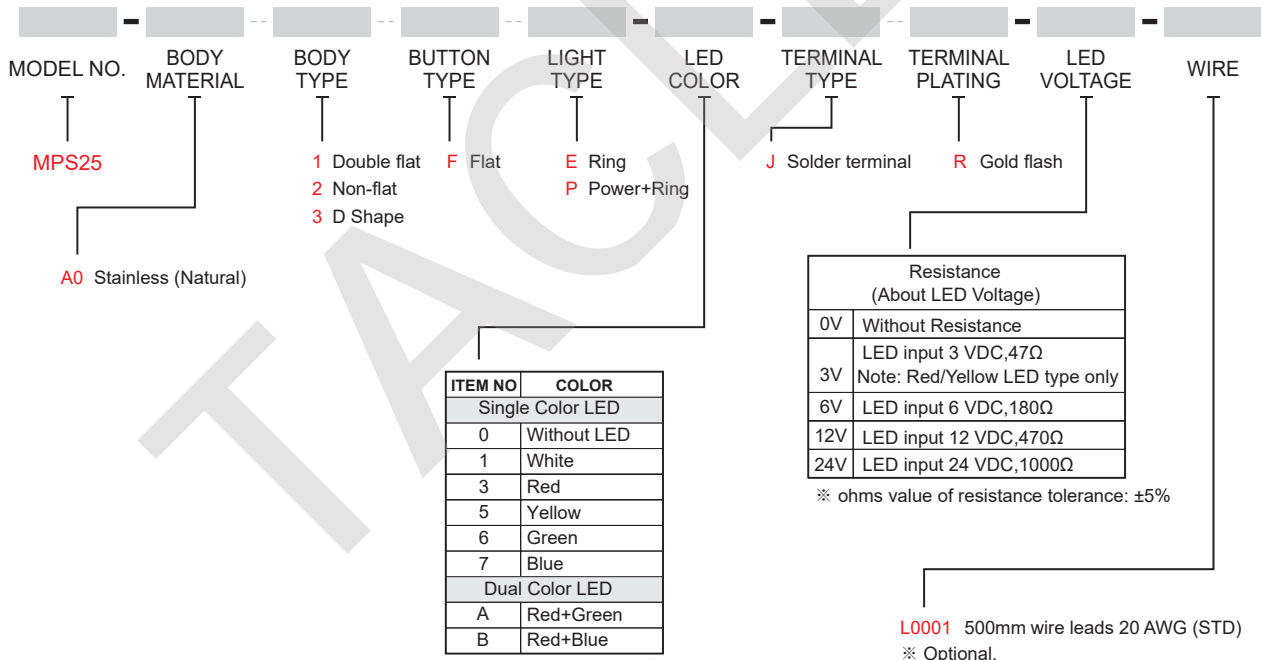
O-Ring : Silicone

TERMINAL : Brass, Gold flash plated

CONTACT : Brass, Silver alloy

HEX NUT : Brass, Nickel plated

HOW TO ORDER



※ Current limiting resistor is required to limit LED forward current to 20mA.

※ Except standard color, for other colors information please consult sales representative.

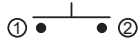
EXAMPLE:

MPS25-A01FE-□-JR-□V
 □ LED voltage
 □ LED color

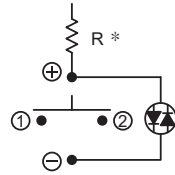
MPS25-A01FE-□-JR-□V-L0001(Wire)
 □ LED voltage
 □ LED color



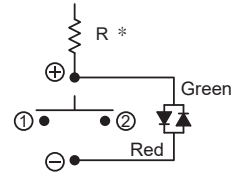
▼ **CIRCUIT**



Without LED



Single Color LED

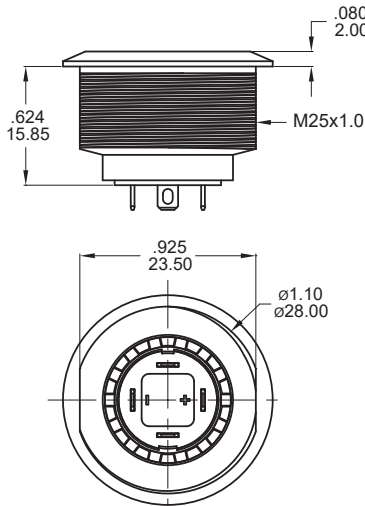


Dual Color LED

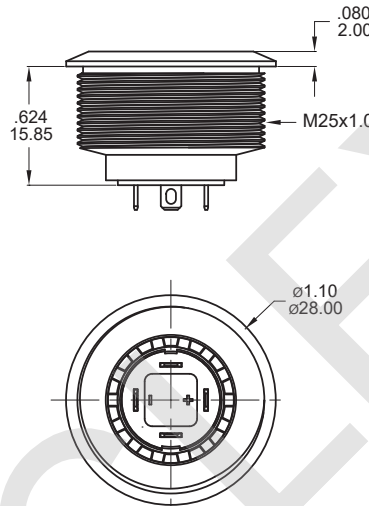
* Note: Adjust the resistance according to the input voltage.

▼ **BODY OPTIONS**

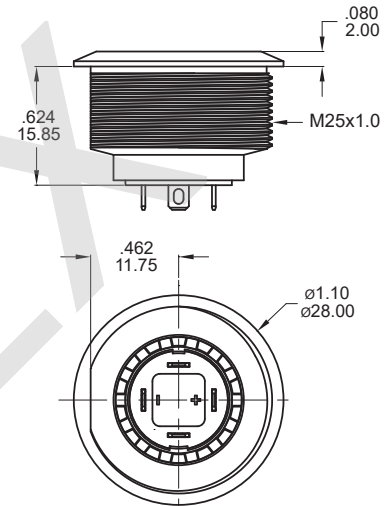
1 Double flat



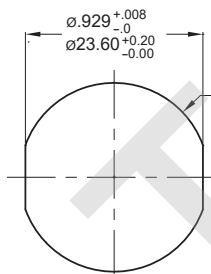
2 Non-flat



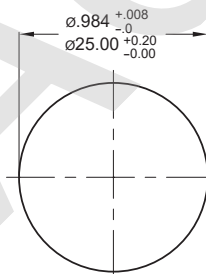
3 D Shape



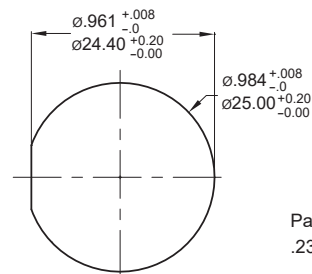
▼ **PANEL MOUNTING**



Double flat



Non-flat

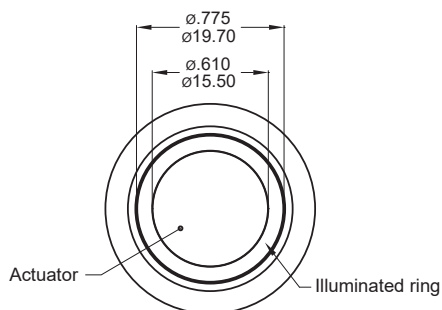


D Shape

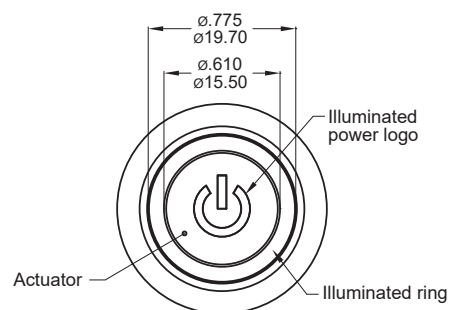
Panel thickness:
.236inch(6.0 mm) MAX.

▼ **LIGHT OPTIONS**

E Ring



P Power+Ring





MPS25 Series

25mm Short Metal Pushbutton Switches

IP 67
ACCORDING TO
EN 60529:1991+A1:2001
IEC 60529:2001

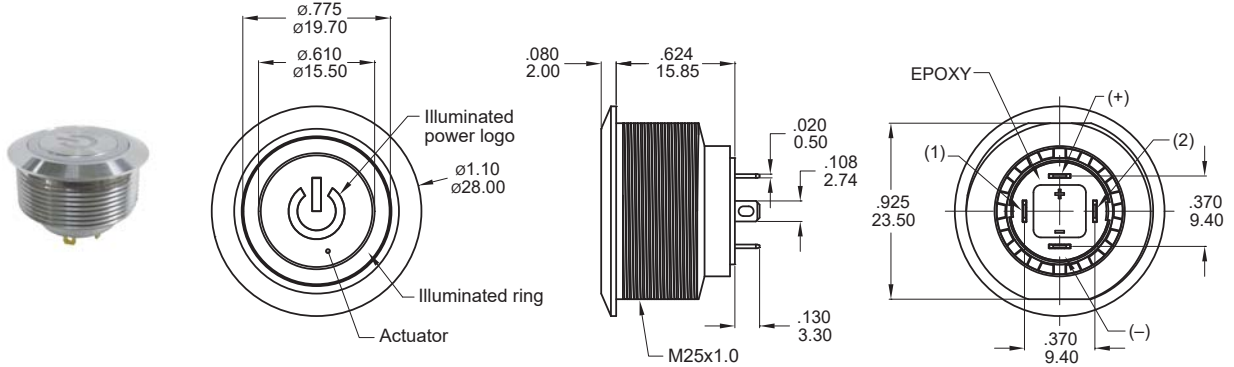
UL US
E 187490

RoHS
compliant

Pb
lead-free

MPS25
Pushbutton Switches

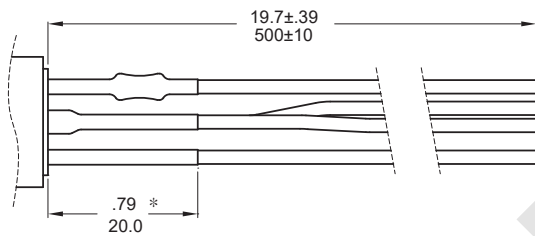
▼ DIMENSION



Model name. MPS25-A01FP-1-JR-12V

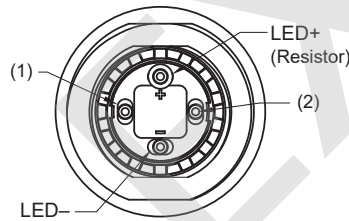
▼ WIRE

L0001 500mm wire leads 20 AWG



Heat shrink tube

*Note: No external resistance heat shrink sleeve .39inch(10mm).



Wires:

Black wire - Terminal

Red wire - LED (+) Positive

Green wire - LED (-) Negative

* No Illumination: Black Wire - Terminal

* Please consult sales for additional wire options.

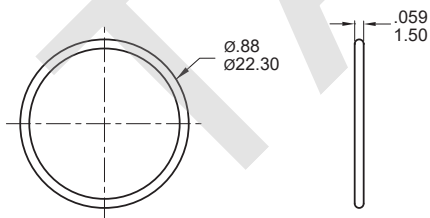
▼ HARDWARE

* Standard hardware : 1 nut, 1 O-ring

* For further information please consult sales representative.

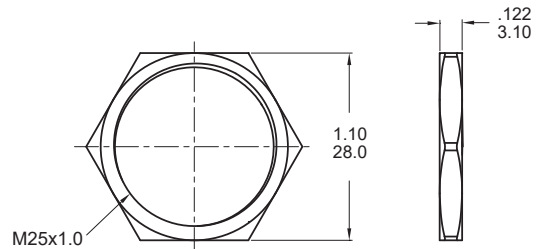
O-RING (Std.)

Model name. FCP-MPB25



NUT (Std.)

Model name. MNU-MPB03



▼ O-RING INSTALLATION

Proposal	In front of the panel	Behind the panel
Installation Diagram		