



MPB16L Series

16mm Metal Pushbutton Switches(LOCK)

IP 67
ACCORDING TO
EN 60529:1989+A1:2001
IEC 60529:2001



MPB16L
Pushbutton Switches



SPECIFICATIONS

RATING : 2A/36VDC.

ELECTRICAL LIFE : 100,000 Make-And-Break cycles at full load.

INSULATION RESISTANCE : 1,000MΩ Min. at 500VDC.

DIELECTRIC STRENGTH : 2,000V RMS@sea level.

CONTACT RESISTANCE : 50mΩ Max.@1A/12VDC(Initial value)

OPERATION TEMPERATURE : -20°C~+70°C

TRAVEL: About 2.3mm.

OPERATION PRESSURE : 4.5N±1.5N

INGRESS PROTECTION : IP67(In house test)

TORQUE : 11.5 kgf · cm

※**CAP Keeps same high.**

MATERIALS

BUSHING : Aluminum alloy, Anodized.

BASE : Nylon 6/6.

ACTUATOR : POM.

CAP : PC, Aluminum alloy, Anodized.

SPRING : Steel.

SEALING : Silicone.

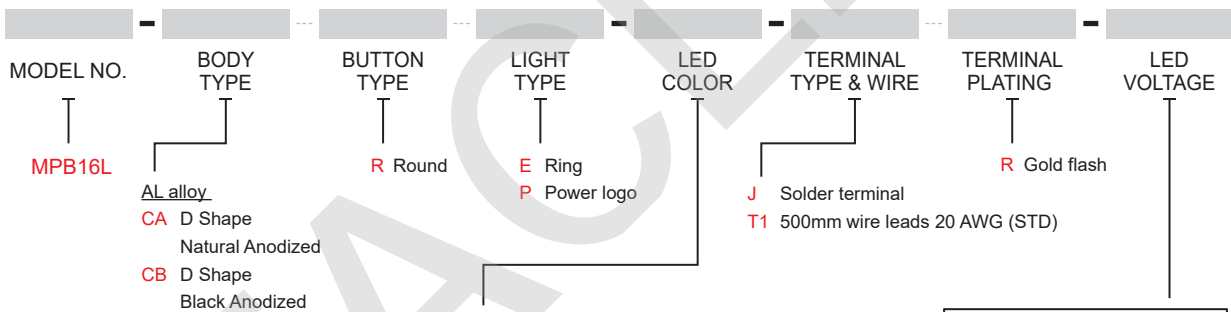
O-Ring : Silicone.

TERMINAL : Brass, Coin silver, Gold flash plated.

CONTACT : Brass, Coin silver, Gold flash plated.

NUT : Brass(Nickel Plated).

HOW TO ORDER



ITEM NO	COLOR
Single Color LED	
00	Without LED
01	White
03	Red
04	Orange
05	Yellow
06	Green
07	Blue
Dual Color LED	
36	Red+Green
37	Red+Blue
71	Blue+White

*

※ Current limiting resistor is required to limit LED forward current to 20mA.

※ OFF=Without light
ON=LED Blue light
Ex : 07

※ OFF(Red);ON(Green)
Ex : 36

Resistance (About LED Voltage)	
3V	LED Input Voltage 3VDC (Without Resistance)
6V	LED input 6 VDC,180Ω
12V	LED input 12 VDC,470Ω
24V	LED input 24 VDC,1000Ω

※ ohms value of resistance
tolerance: ±5%

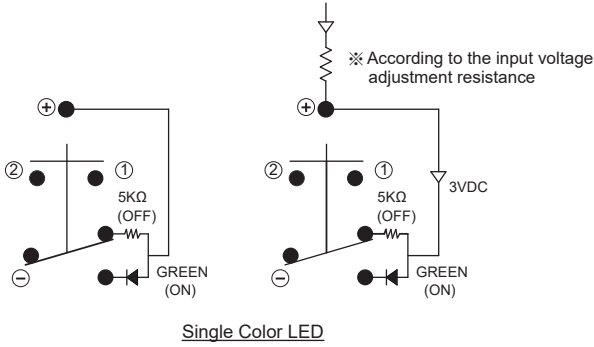
* Except standard color, for other colors information please consult sales representative.

EXAMPLE:
MPB16L-CARE-00-JR-0 (Without LED)

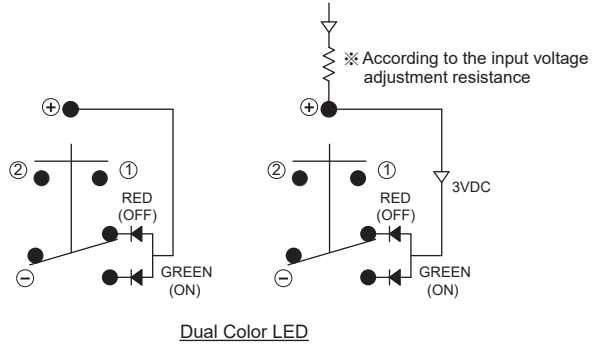




▼ CIRCUIT



Note: Push-OFF, Without light
Push-ON, LED Green light(Latching)

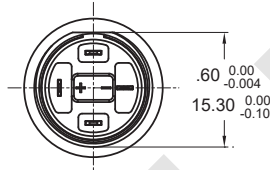
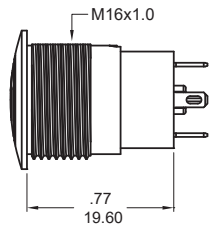


Note: Push-OFF, LED Red light
Push-ON, LED Green light(Latching)

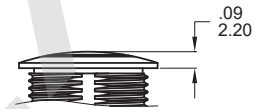
MPB16L
Pushbutton Switches

▼ BODY & BUTTON OPTIONS

CA / CB D Shape

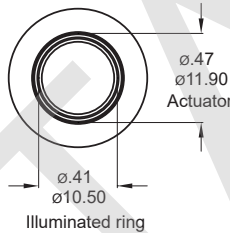


R Round

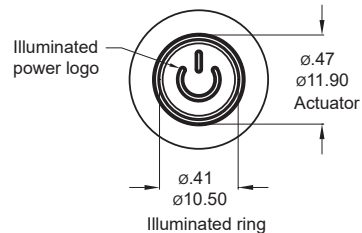


▼ LIGHT OPTIONS

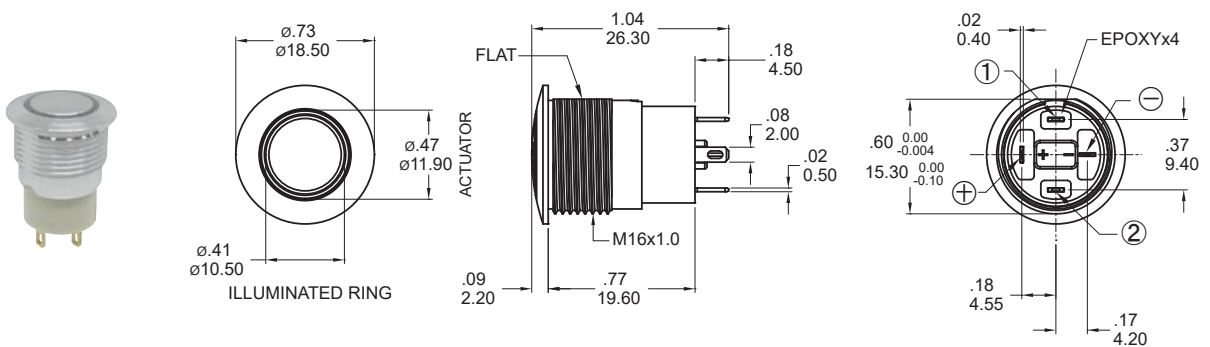
E Ring



P Power logo



▼ DIMENSION



Model name. MPB16L-CARE-07-JR-3V



MPB16L Series

16mm Metal Pushbutton Switches(LOCK)

IP 67
ACCORDING TO
EN 60529:1991+A1:2001
IEC 60529:2001

C US
E 187490

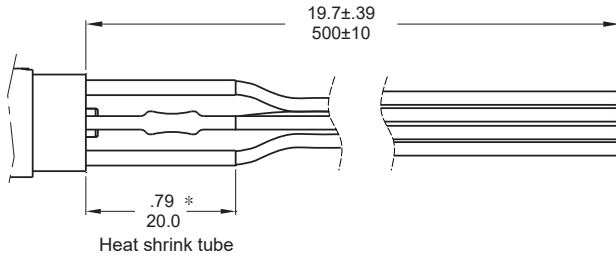
RoHS
compliant

Pb
lead-free

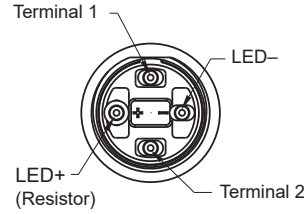
MPB16L
Pushbutton Switches

▼ WIRE

T1 500mm wire leads 20 AWG



*Note: No external resistance heat shrink sleeve .39inch(10mm).



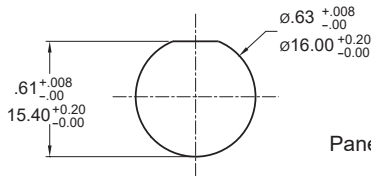
Wires:

- Black wire - Terminal
- Red wire - LED (+) Positive
- Green wire - LED (-) Negative

* No Illumination: Black Wire - Terminal

* Please consult sales for additional wire options.

▼ PANEL MOUNTING



Panel thickness: .24inch(6.0 mm) MAX.

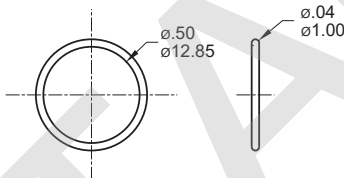
▼ HARDWARE

* Standard hardware : 1 nut, 1 O-ring

* For further information please consult sales representative.

O-RING (Std.)

Model name. FCP-MP602



NUT (Std.)

Model name. MNU-PY01

