

TACT SWITCH
T6VJ SERIES

Long Travel J SMT
 Washable Type



T6VJ_QR

FEATURES

- ※ Sharp click feeling with soft sound
- ※ Long travel
- ※ Sealed IP67

APPLICATION

- ※ Automotive
- ※ Instrument
- ※ Industrial

SPECIFICATION

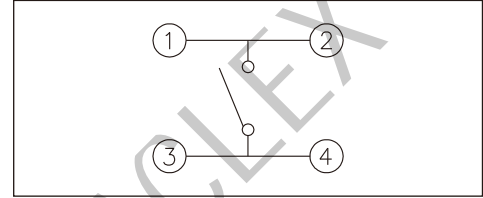
Contact Rating	10uA, 1V DC min. 50mA, 16V DC max.
Contact Resistance	100mΩ max.(initial)
Insulation Resistance	100MΩ min.
Dielectric Strength	250V AC/1 minute
Operating Force	350±90gf
Operating Life	100,000 cycles min.
Operating Temp.	-40°C ~ +85°C
Storage Temp.	-55°C ~ +85°C

HOW TO ORDER

T 6 V J □ □ G Q R

- J Bend
- Total Height: 1=4.9mm
- Operating Force: 1=350gf
- Package: Tape & Reel
- Halogen Free
- Plating: G=Silver Plating

CIRCUIT

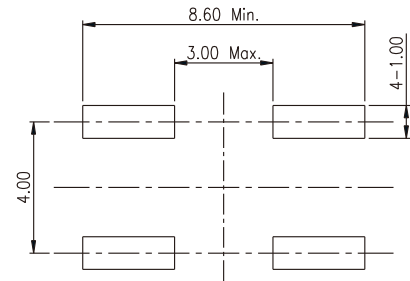
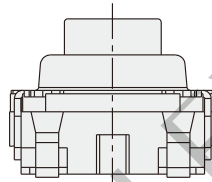
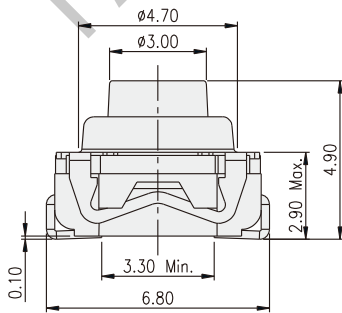
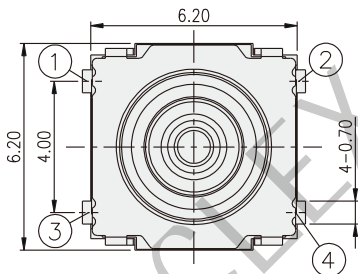


PACKAGE

<Tape & Reel>
 1000 pcs

TACT SWITCH

T6VJ



P.C.B. LAYOUT