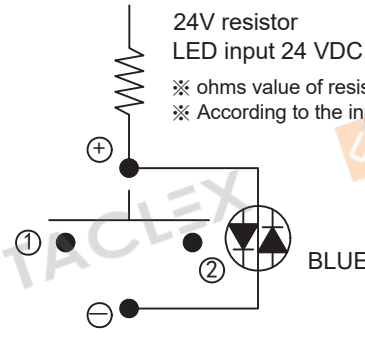
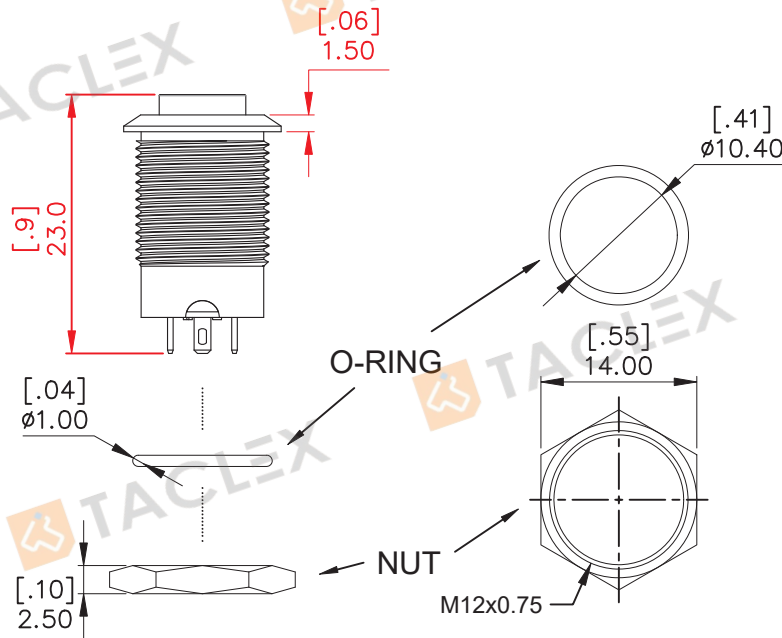
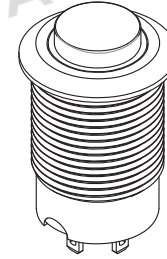
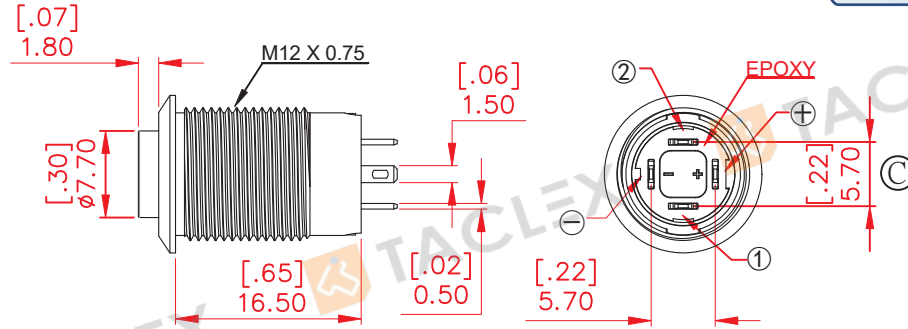
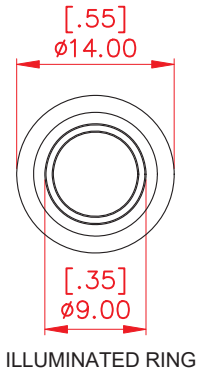
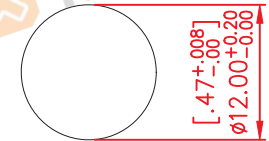


僅供參考



SCHMATIC  
OFF-(NO)

MATERIAL:  
BUSHING: Stainless Steel.  
BASE: PA66.  
ACTUATOR: Stainless Steel / PC.  
INNER ASSEMBLY: PC.  
SPRING: Spring steel.  
SEALING: Silicone.  
O-Ring: Silicone.  
TERMINAL: Brass, Gold over silver plated.  
HEX NUT: Brass, Nickel plated.  
CONTACT: Brass, Gold over silver plated.



PANEL CUTOUT  
THICKNESS:8.0mm(Max.)

SPECIFICATIONS

- 1.RATING: 100mA/24VDC.
- 2.ELECTRICAL LIFE: 100,000 MAKE-AND-BREAK CYCLES AT FULL LOAD.
- 3.MECHANICAL LIFE: 500,000. CYCLES
- 4.INSULATION RESISTANCE:1,000MΩ MIN AT 500VDC .
- 5.DIELECTRIC STRENGTH: 1,000V RMS@sea level.
- 6.CONTACT RESISTANCE: 50mΩ MAX.@1A 12VDC(initial value).
- 7.OPERATING TEMPERATURE: -20°C to 55°C.
- 8.TRAVEL: ABOUT 1.8mm.
- 9.OPERATION PRESSURE: 3.0±1.5N.
- 10.INGRESS PROTECTION: IP67
- 11.TORQUE: 1~3Nm.
- 12.CURRENT LIMITING RESISTOR IS REQUIRED TO LIMIT LED FORWARD CURRENT TO 20mA.



TACLEX ELECTRONICS CO., LTD.

符號	原尺寸	修改後尺寸	變更日期
1 (A)			
2 (B)			
3 (C)			
4 (D)			
5 (E)			

SCALE (比例) : 2:1

TOLERANCE (公差) :  
0.00mm±0.25mm  
0.0mm±0.40mm

ANGULAR: ±5°

FILE NAME : TEST-3301

TITLE 圖名	Metal push button switch Ø12			SIZE 圖紙	A4
DWG NO. 圖號	TEST-3301			UNIT 單位	mm
REV. 版本	R01	DATE 日期	JAN - 13 - 2023	SHEET 張數	1 of 1
APPROVE 審核	顧睿豐	CHECK 確認	陳冠宇	DRAW 製圖	IRENE