



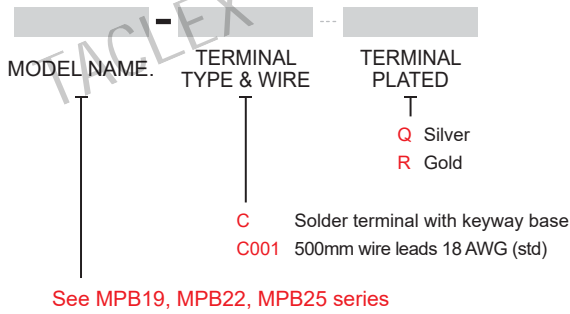
**MATERIAL**

**KEYWAY BASE :** Nylon 6/6, black.

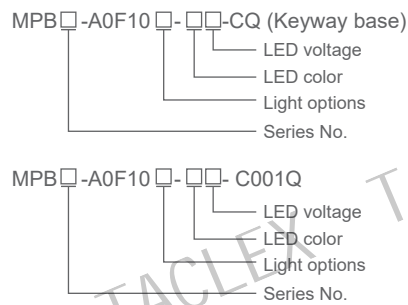
**WIRE:** UL3385 18 AWG

Note: Please consult sales for additional wire options.

**HOW TO ORDER**

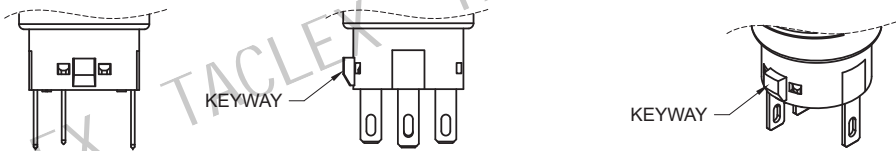


**EXAMPLE:**



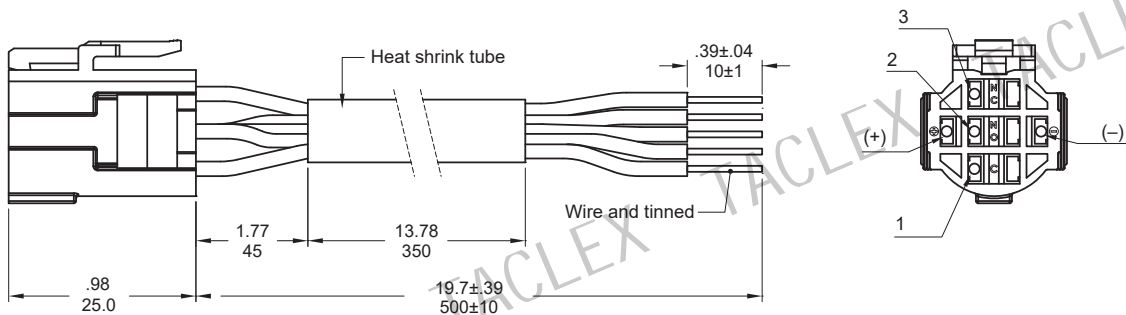
**▼ TERMINAL TYPE**

**C** Solder terminal with keyway base



**▼ WIRE**

**C001** (std)



**Wires:**

- Yellow wire - Terminal 1 and 4
- Purple wire - Terminal 2 and 5
- Green wire - Terminal 3 and 6
- Red wire - LED (+) Positive
- Black wire - LED (-) Negative