



SPECIFICATIONS

- RATING:** 30mA / 28VDC
- OPERATING SPEED:** 10mm/sec
- OPERATING FREQUENCY:** 25-30 operation cycles per minute.
- ELECTRIC LIFE:** 20,000 cycles
- MACHANICAL LIFE :** 500,000 CYCLES
- FORCE 1 :** 5~7N ; **FORCE 2 :** 10~13N
- OPERATING POSITION 1 :** 11.8±0.2mm
- OPERATING POSITION 2 :** 11.0±0.2mm
- FULL TRAVELS:** 2.0mm
- OPERATING TEMPERATURE:** -40°C to 85°C

MATERIALS

- PUSHER:** POM Natural
- DUST PROTECTION CAP:** POM
- CASE:** PA Nature glass fiber reinforced
- SPRING:** Piano wire
- CONTACT:** Brass, gold plated
- TERMINAL:** Brass, gold flash plated

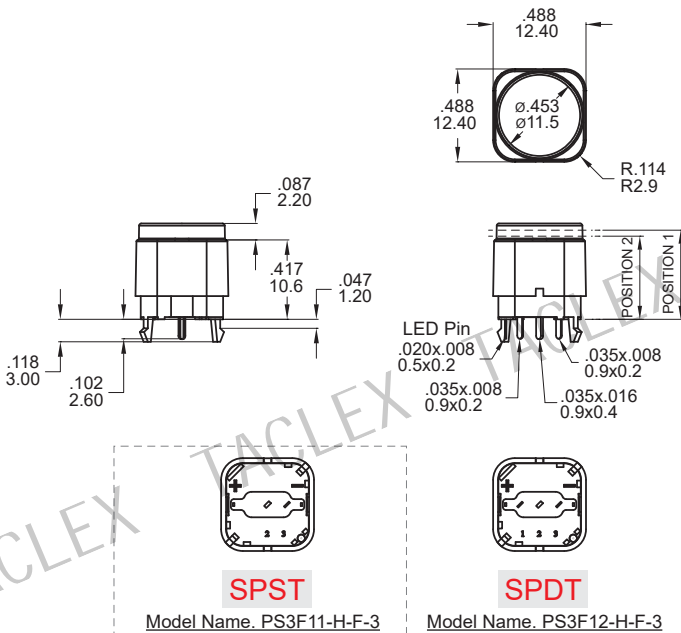
HOW TO ORDER

MODEL NO.	CAP TYPE	CAP COLOR	CIRCUIT TYPE	MACHANICAL LIFE	TERMINAL PLATING	LED COLOR
PS3	F Flat	1 White(STD)	1 SPST 2 SPDT	H High life	F Gold flash	

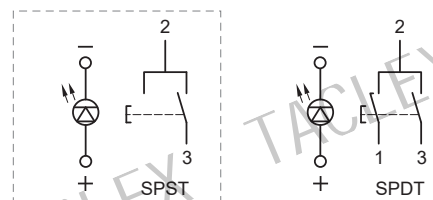
ITEM NO	COLOR
0	Without LED
1	White
3	Red
5	Yellow
6	Green
7	Blue

EXAMPLE:
PS3F12-H-F- LED color

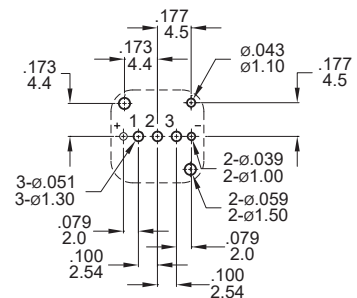
DIMENSION



CIRCUIT & PCB MOUNTING



CIRCUIT



TOP VIEW
P.C. MOUNTING t=1.5