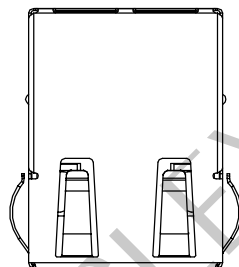
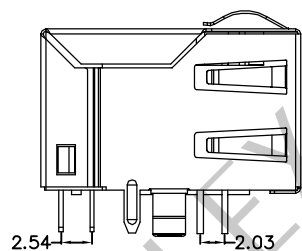


REACH & RoHS
COMPLIANT

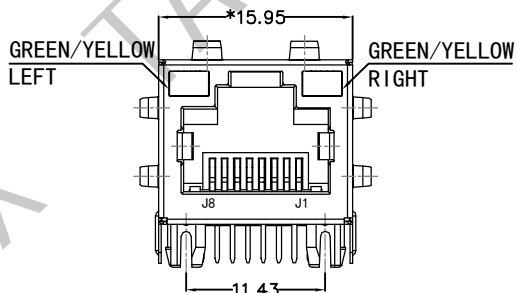
REV.	ECN / DESCRIPTION	BY	DATE
A0	NEW	ZG.Hu	2017.12.13



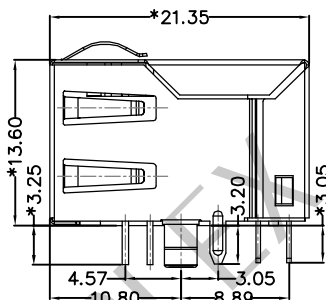
TOP VIEW



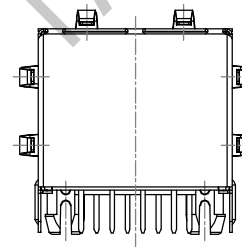
LEFT SIDE VIEW



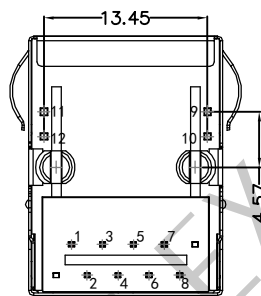
FRONT VIEW



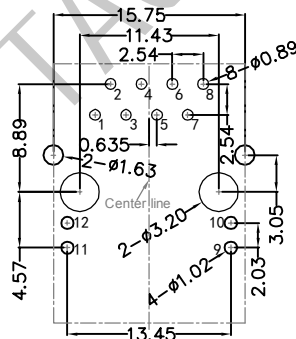
RIGHT SIDE VIEW



BACK VIEW



BOTTOM VIEW



RECOMMENDED PCB LAYOUT
VIEWED FROM COMPONENT SIDE

MATERIAL:

HOUSING : PBT,UL94V-0,BLACK.
TERMINALS BRACKET: PBT,UL94V-0,BLACK.
SHIELD: C2680,T=0.20MM,NICKEL PLATING ON ALL AREA.
TERMINAL: PHOSPHOR BRONZE C5210,T=0.35MM,
6U" GOLD PLATING ON CONTACT AREA.

MECHANICAL:

DURABILITY : 750 CYCLES MIN.
MATING FORCE : 23N MAX.
OPERATING TEMPERATURE: -40°C~+85°C.
STORAGE TEMPERATURE: -40°C~+85°C.
ALL CRITICAL DIMENSIONS WITH "*"

TACLEX ELECTRONICS CO., LTD.

Sales: Angel Mail: taclex09@taclex.com
Tel:0769-87703996#110
www.taclex.com

TITLE:
TAB-UP 1X1 100BASE

PART NO.:
XL2112083671144Z

REMARK:

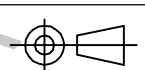
SIZE
A4

SACLE
1:1

SHEET
1/3

UNITS
MM[INCH]

REV
A1



GENERAL TOLERANCES
UNLESS SPECIFIED

$x \pm 0.35$	$x^\circ \pm 3.0^\circ$
$.x \pm 0.30$	$.x^\circ \pm 2.0^\circ$
$.xx \pm 0.25$	$.xx^\circ \pm 1.5^\circ$
$.xxx \pm 0.10$	$.xxx^\circ \pm 1.0^\circ$

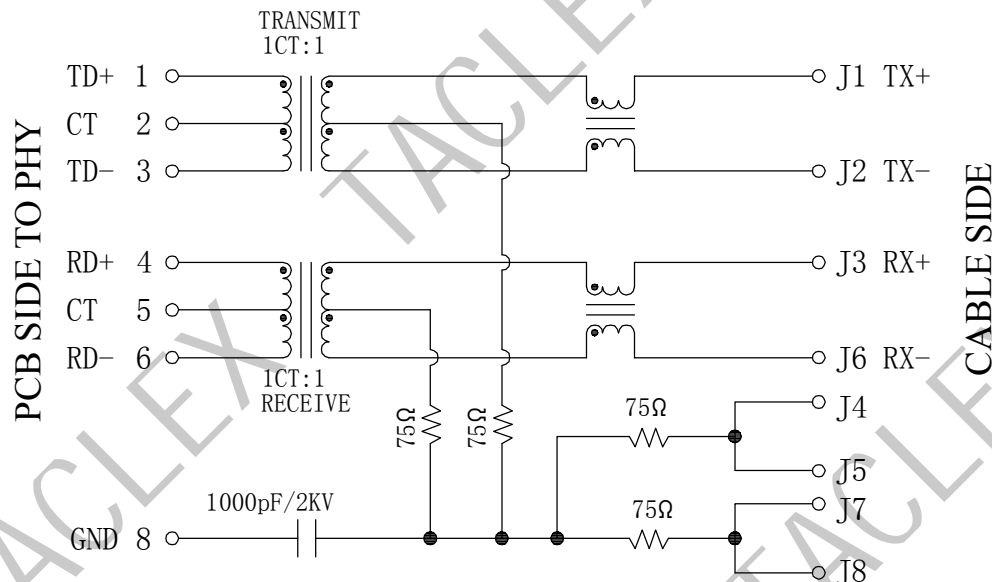
APPROVED BY:
JP.Gong

CHECKED BY:
TW.XU

DESIGND BY:
ZG.Hu

REACH & RoHS
COMPLIANT

REV.	ECN / DESCRIPTION	BY	DATE
A0	NEW	ZG.Hu	2017.12.13

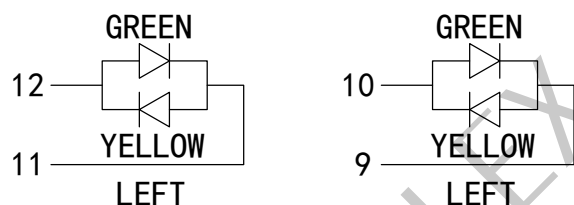


Electrical:

- Turn ratio: 1~3: J1~J2=1CT:1CT(±2%).
4~6: J3~J6=1CT:1CT(±2%).
- OCL: 350uH Min. at 100KHz 100mV 8mA DC.
- Insertion Loss: -1.0 dB Max 1~100MHz.
- Return loss: -20dB Min 1~10MHz;
-16dB Min 10~30MHz.
-12dB Min 30~60MHz.
-10dB Min 60~80MHz.
- Cross talk: -40dB Min 1~30MHz;
-35dB Min 30~60MHz;
-30dB Min 60~100MHz;
- CMR: -30dB Min 1~100MHz;
- Hi-Pot: 1500V AC & 2250V DC
6S 1mA PRI TO SEC

LED Specification

Standard LED Color	LED Wavelength	Foward(A)	Foward(V)
Green	568nm	20mA	1.85-2.45V
Yellow	585nm	20mA	1.7-2.2V



TACLEX ELECTRONICS CO., LTD.

Sales: Angel Mail: taclex09@taclex.com
Tel: 0769-87703996#110
www.taclex.com

TITLE:
TAB-UP 1X1 100BASE

PART NO.:
XL2112083671144Z

REMARK:

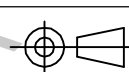
SIZE
A4

SACLE
1:1

SHEET
2/3

UNITS
MM[INCH]

REV
A1



GENERAL TOLERANCES
UNLESS SPECIFIED

x±0.35
.x±0.30
.xx±0.25
.xxx±0.10

APPROVED BY:
JP.Gong

x°±3.0°
.x°±2.0°
.xx°±1.5°
.xxx°±1.0°

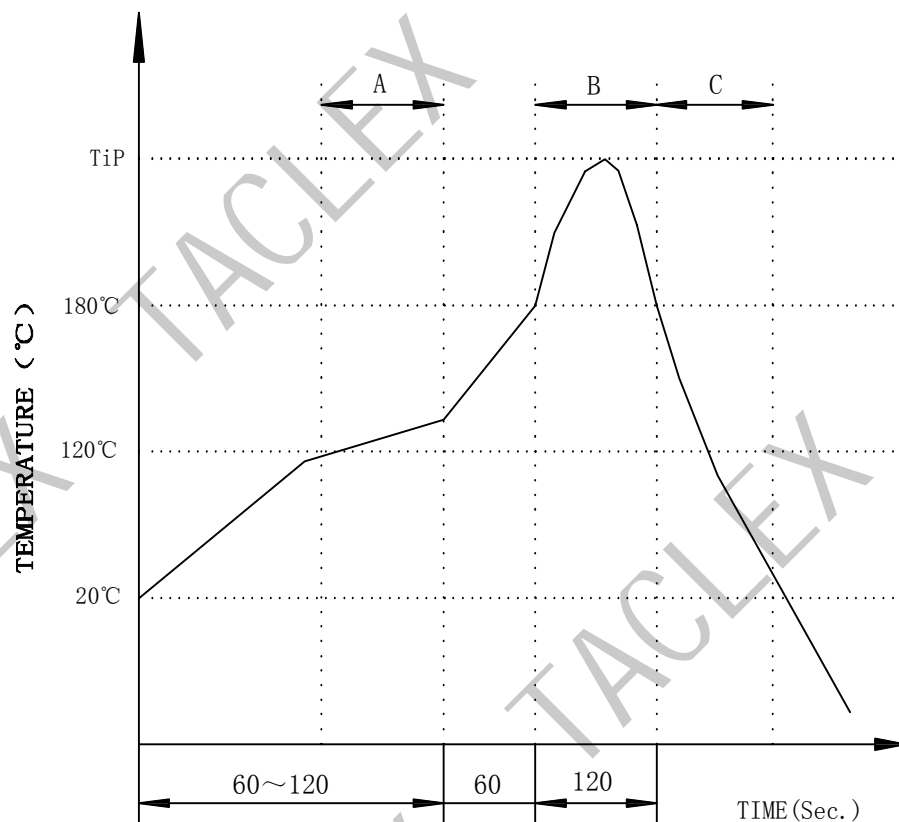
CHECKED BY:
TW.XU

DESIGND BY:
ZG.Hu

REACH & RoHS
COMPLIANT

PROFILE OF WAVE SOLDER

REV.	ECN / DESCRIPTION	BY	DATE
A0	NEW	ZG.Hu	2017.12.13



A.Preheating B.Soldering C.Gradual Cooling
 Tip temperature:260±5°C.
 Tip temperature time:5Sec Max.
 Tip melting point of Sn96.5/Ag3/Cu0.5:217°C.

Remarks: after wave soldering, the plastic positioning columns of the product which under the PCB will be slightly melted, but it won't affect its function.

TACLEX ELECTRONICS CO., LTD.

Sales: Angel Mail: taclex09@taclex.com
 Tel:0769-87703996#110
 www.taclex.com

TITLE:
TAB-UP 1X1 100BASE

PART NO.:
XL2112083671144Z

REMARK:

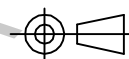
SIZE
A4

SACLE
1:1

SHEET
3/3

UNITS
MM[INCH]

REV
A1



GENERAL TOLERANCES
UNLESS SPECIFIED

x±0.35	x°±3.0°
.x±0.30	.x°±2.0°
.xx±0.25	.xx°±1.5°
.xxx±0.10	.xxx°±1.0°

APPROVED BY:
JP.Gong

CHECKED BY:
TW.XU

DESIGND BY:
ZG.Hu