

MATERIAL:
 BUSHING: Stainless Steel.
 BASE: PBT(UL 94-V0) , PC(UL 94-V2)
 ACTUATOR: PC ; Stainless Steel.
 INNER ASSEMBLY: POM./PA66.
 SPRING: Spring steel.
 SEALING: Silicone.
 O-Ring:Silicone.
 TERMINAL/CONTACT: Copper ,Silver plated.
 HEX NUT: Nickel plated brass.
 RoHS

MPB25-XXXXXE-XX-J5Q

Body type

A0 Stainless(Natural SUS)

Button type

F Flat

Contact Configuration

1 1NO 1NC

Operating type

0 Momentary

LED color

1 White

LED voltage

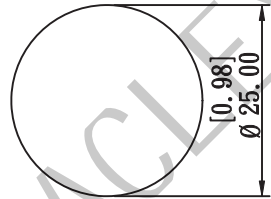
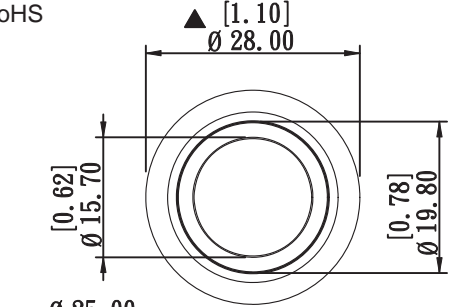
6 6V

Terminal shape

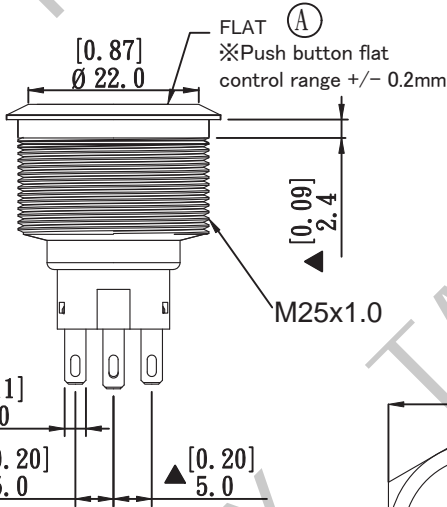
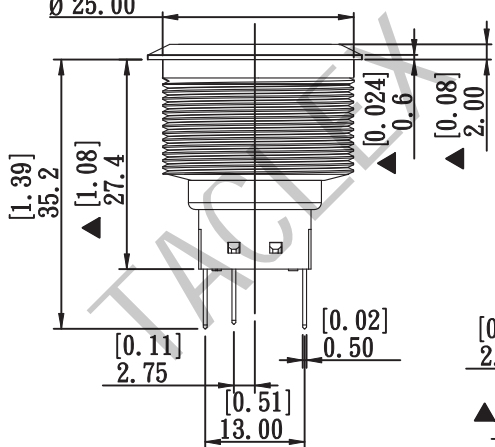
J Solder Terminal

Terminal plating
Q Silver

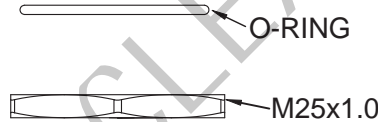
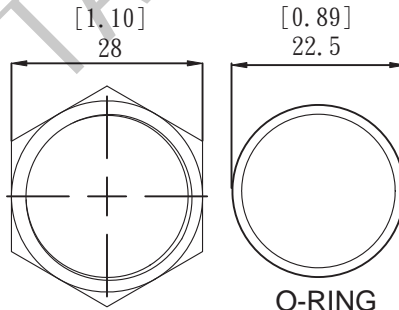
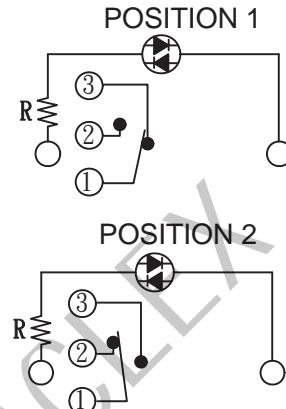
Light type
E Ring



PANEL CUTOUT
 MAX.PANEL THICKNESS:10.0mm[.394]

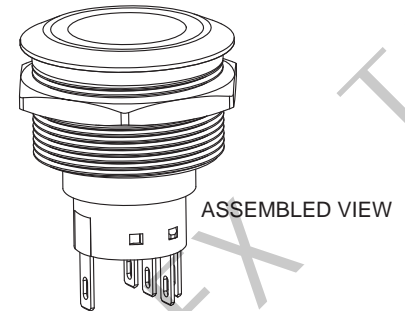


FLAT (A)
 ※Push button flat
 control range +/- 0.2mm



EXPLODED VIEW

本公司智慧財產，未經同意不得複製



ASSEMBLED VIEW

SPECIFICATIONS

- CONTACT MATERIAL: SILVER.
- RATING: lth 5A/250VAC. resistive load 3A/250VAC.
- ELECTRICAL LIFE: 50,000 MAKE-AND-BREAK CYCLES AT FULL LOAD.
- MECHANICAL LIFE: Momentary 1,000,000.
- INSULATION RESISTANCE:1,000MΩ MIN AT 500VDC.
- DELECTRIC STRENGTH: 2,000V RMS@sea level.
- CONTACT RESISTANCE: 50mΩ MAX.@1A 12VDC(initial value).
- OPERATING TEMPERATURE: -20°C to 55°C .
- TRAVEL: ABOUT 3.2mm.
- OPERATION PRESSURE: 2.5±1N.
- INGRESS PROTECTION: IP67,IK10.
- TORQUE: 5~14Nm.



TACLEX ELECTRONICS CO., LTD.

符號	原尺寸	修改後尺寸	變更日期
1 (A)		增加說明	SEP-21-2015
2 (B)			
3 (C)			
4 (D)			
5 (E)			

SCALE (比例): 1:1
 TOLERANCE (公差):
 0.00 mm ± 0.25mm
 0.0 mm ± 0.40mm
 ANGULAR: ±2°
 FILE NAME : MPB25-0001

TITLE 圖名	METAL PUSHBUTTON SWITCH		SIZE 圖紙	A4
DWG NO. 圖號	MPB25-A0F10E-16-J5Q		UNIT 單位	inch mm
REV. 版本	B	DATE 日期	JUL - 14 - 2015	SHEET 張數
CHECKED BY 審核	RICHARD		DRAWN BY 製圖	研發工程師 簡光萬