

MATERIAL:
 BUSHING: Stainless Steel.
 BASE: PBT(UL 94-V0) , PC(UL 94-V2)
 ACTUATOR: PC ; Stainless Steel.
 INNER ASSEMBLY: POM./PA66
 SPRING: spring steel.
 SEALING: Silicone.
 O-Ring: Silicone.
 TERMINAL/CONTACT: Copper ,Gold plated.
 HEX NUT: Nickel plated brass.
 RoHS

MPB22-XXXXXE-XXXX

Body type

A0	Stainless (Natural)
C3	Al alloy (Black Anodized)
D0	Stainless (Natural),Flat
F3	Al alloy (Black Anodized),Flat

Button type

F	Flat
---	------

Contact Configuration

1	1NO 1NC
2	2NO 2NC

Operating type

0	Momentary
1	LOCK

LED color

0	Without LED
1	White
3	Red
5	Yellow
6	Green
7	Blue

LED voltage

0	Without LED
3	3V
6	6V
12	12V
24	24V
36	36V
110	110V
220	220V

Terminal shape

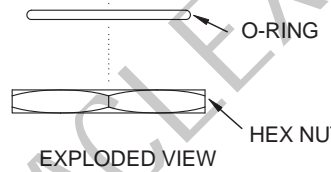
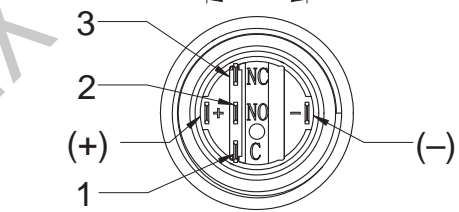
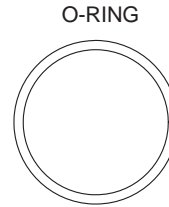
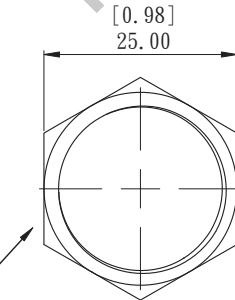
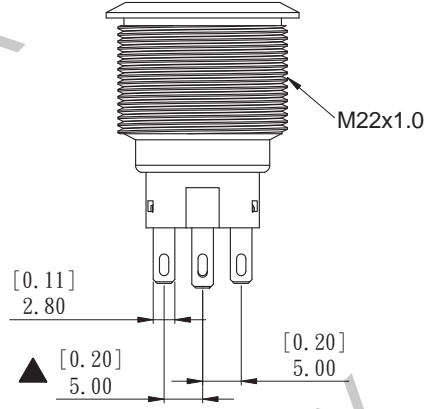
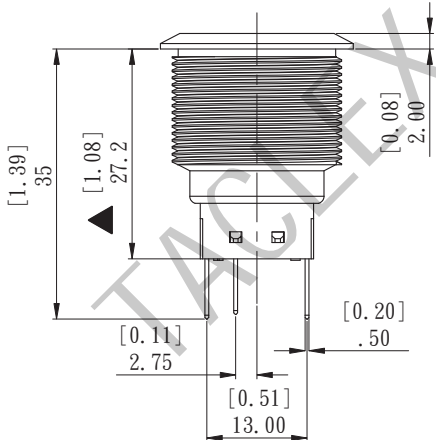
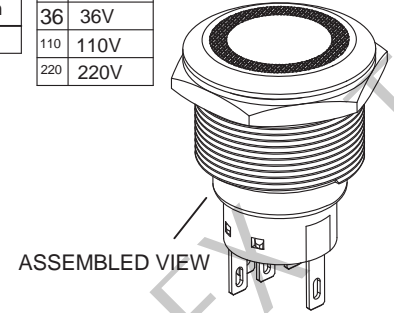
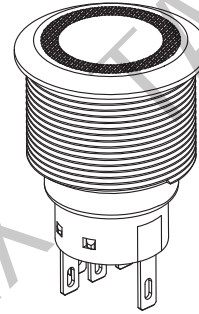
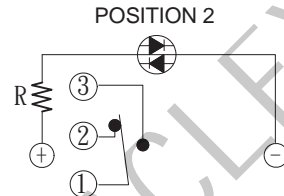
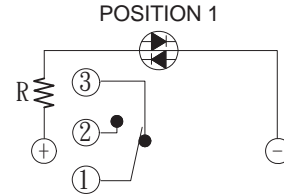
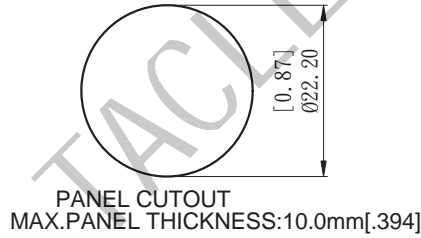
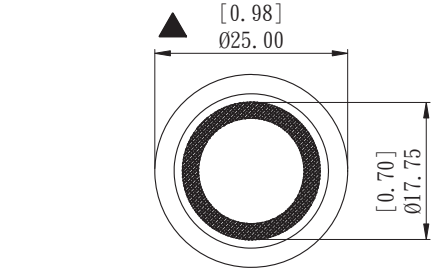
J	Solder Terminal
---	-----------------

Terminal plating

Q	Silver
R	Gold

Light type

E	Ring
---	------



ASSEMBLED VIEW

SPECIFICATIONS

- CONTACT MATERIAL: Gold over silver.
- RATING: Ith 5A/250VAC. resistive load 3A/250VAC.
- ELECTRICAL LIFE: 50,000 MAKE-AND-BREAK CYCLES AT FULL LOAD.
- MECHANICAL LIFE: Momentary 1,000,000.
- INSULATION RESISTANCE: 1,000MΩ MIN AT 500VDC .
- DELECTRIC STRENGTH: 2,000V RMS@sea level.
- CONTACT RESISTANCE: 50mΩ MAX. @1A 12VDC (initial value).
- OPERATING TEMPERATURE: -20°C to 55°C .
- TRAVEL: ABOUT 3.2mm.
- OPERATION PRESSURE: 1Pole 2.5±1N. / 2Pole 3.5±1N.
- INGRESS PROTECTION: IP67,IK10(Stainless).
- TORQUE: 5~14Nm.



TACLEX ELECTRONICS CO., LTD.

符號	原尺寸	修改後尺寸	變更日期
1	Ⓐ		
2	Ⓑ		
3	Ⓒ		
4	Ⓓ		
5	Ⓔ		

SCALE(比例): 1:1
 TOLERANCE(公差):
 0.00 mm ± 0.25mm
 0.0 mm ± 0.40mm
 ANGULAR: ± 2°
 FILE NAME : MPB22-0030

TITLE 圖名	METAL PUSHBUTTON SWITCH	SIZE 圖紙	A4
DWG NO. 圖號	MPB22-A0F10E-66-JR	UNIT 單位	inch mm
REV. 版本	A	DATE 日期	OCT - 13 - 2015
CHECKED BY 審核	RICHARD	SHEET 張數	1 of 1
		DRAWN BY 製圖	IRENE