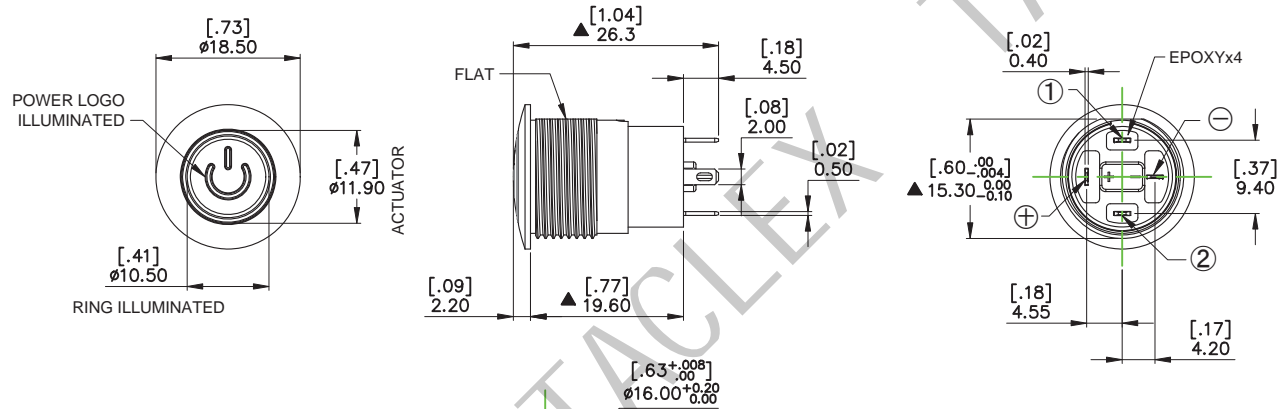
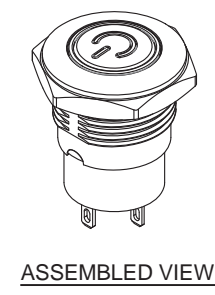
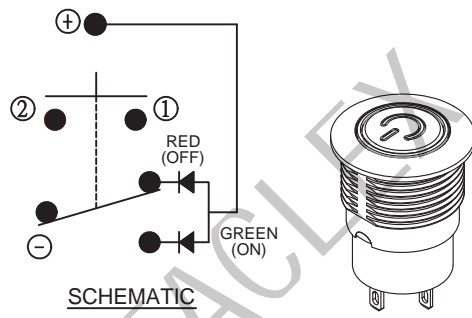
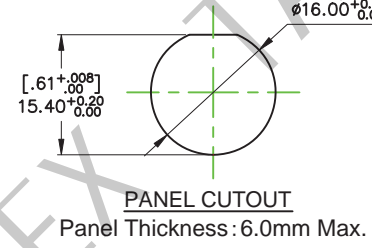


MPB16L-XXXX-XX-JR-XV

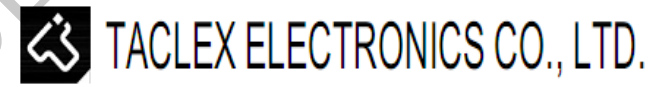
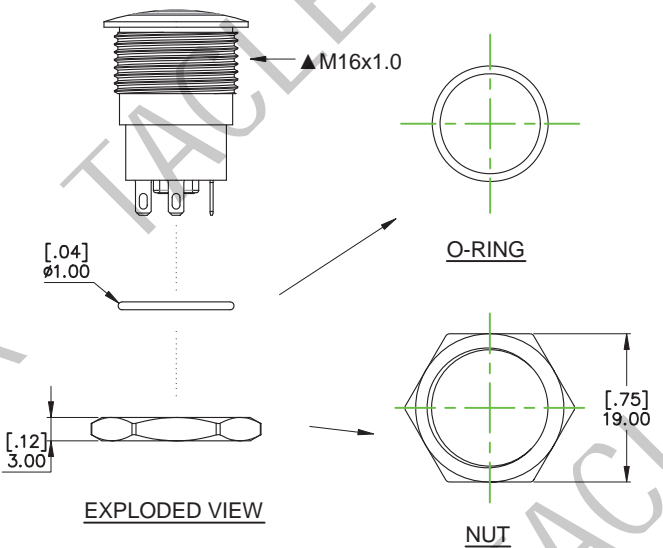


Operating Type		L Lock Cap reversion	
Body type & color		CA AL alloy Natural Anodized CB AL alloy Black Anodized	
Button type		R ROUND	
Light type		P POWER LOGO	
LED color		XX (OFF/ON) 36 Red/Green ※OFF(Red);ON(Green) Ex:36	
Accessories		Resistance (About LED Voltage) 3V LED Input Voltage 3VDC (Without Resistance)	
Terminal plating		R Gold Flash	
Terminal shape		J Solder terminal	



- Specifications:**
- Rating : 2A/36VDC.
 - Electrical Life : 100,000 Make-And-Break Cycles At Full Load.
 - Insulation Resistance : 1,000MΩ Min. at 500VDC.
 - Dielectric Strength : 2,000V RMS@sea level.
 - Contact Resistance : 50mΩMax. @1A/12VDC (initial value).
 - Operation Temperature : -20~+70°C.
 - Operation Pressure : 4.5±1.5N.
 - Travel : About 2.3mm.
 - Ingress Protection : IP67.
 - Torque : 11.5 kgf · cm.
 - Current limiting resistor is required to limit LED forward current to 20mA.
 - CAP Keeps same high.
 13. Push-OFF, LED Red light, Push-ON, LED Green light (Latching)

MATERIAL
 Bushing : Aluminum alloy, Anodized.
 Base : Nylon 6/6
 Actuator : POM
 Cap : PC, Aluminum alloy, Anodized.
 Spring : Steel.
 Sealing : Silicone.
 O-ring : Silicone.
 Nut : Brass (Nickel Plated).
 Terminal : Brass, Coin silver, Gold flash plated.
 Contact : Brass, Coin silver, Gold flash plated.



符號	原尺寸	修改後尺寸	變更日期	SCALE(比例): 1:1	TITLE 圖名	MPB16-LOCK Metal Pushbutton Switch	SIZE 圖紙	A4		
1	(A)			TOLERANCE(公差): 0.00 mm ± 0.25mm 0.0 mm ± 0.40mm ANGULAR: ± 5° FILE NAME : MPB16L-0060	DWG NO. 圖號	MPB16L-CARP-36-JR-3V	UNIT 單位	inch mm		
2	(B)				REV. 版本	A	DATE 日期	APR - 18 - 2018	SHEET 張數	1 of 1
3	(C)				CHECKED BY 審核	陳登財		DRAWN BY 製圖	IRENE	
4	(D)									
5	(E)									