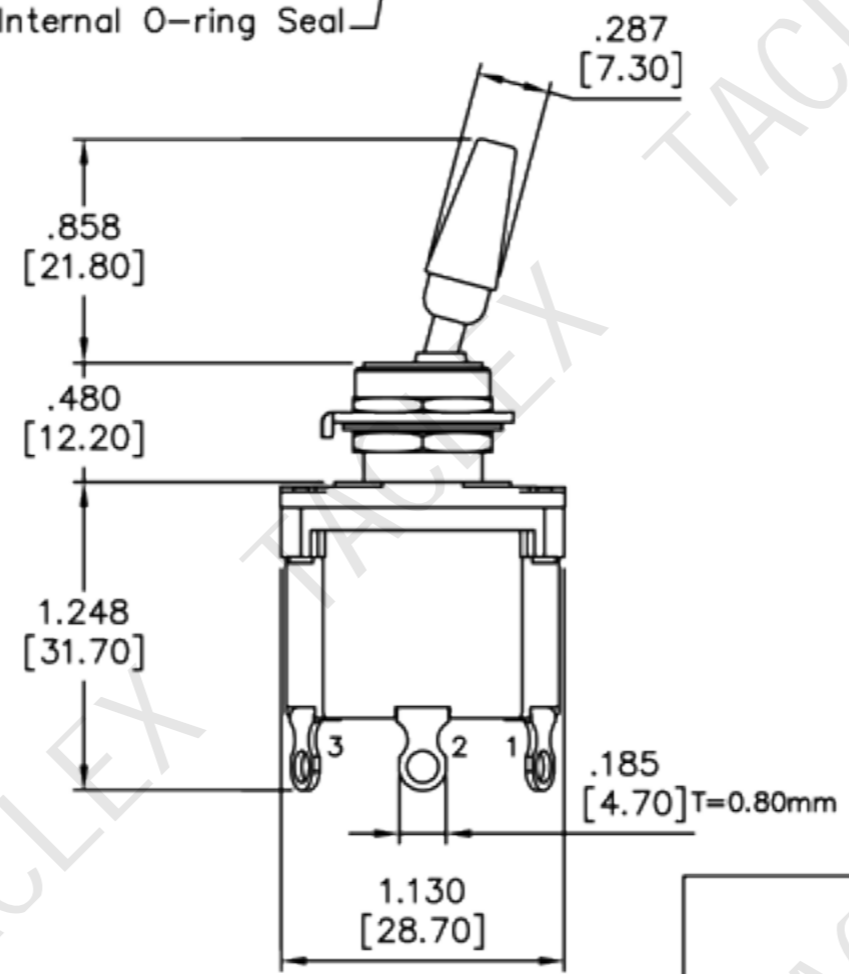
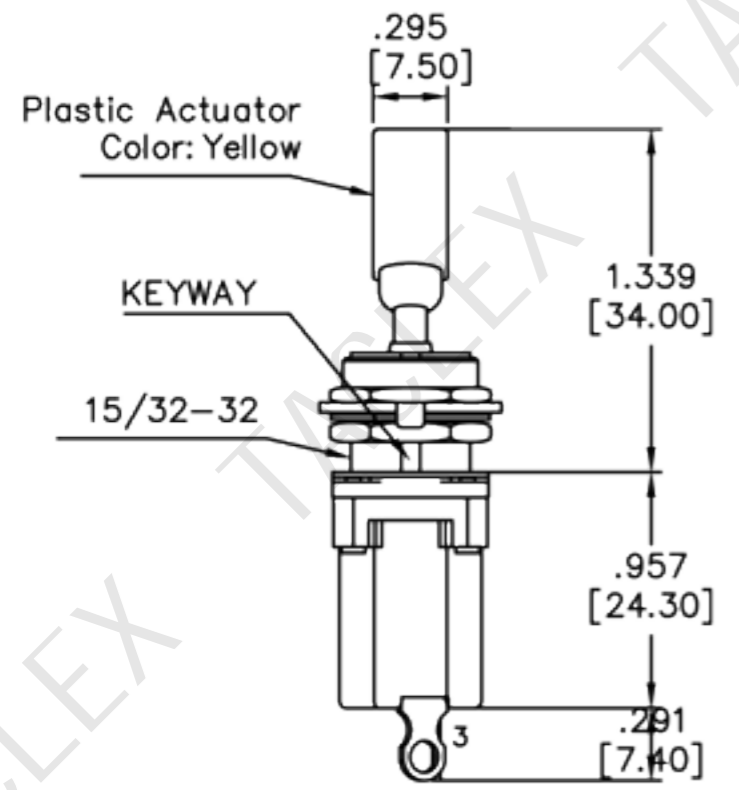
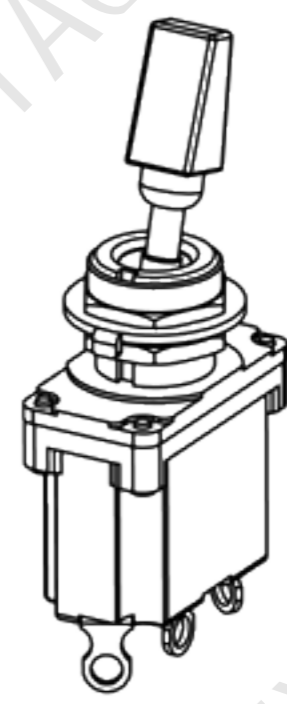
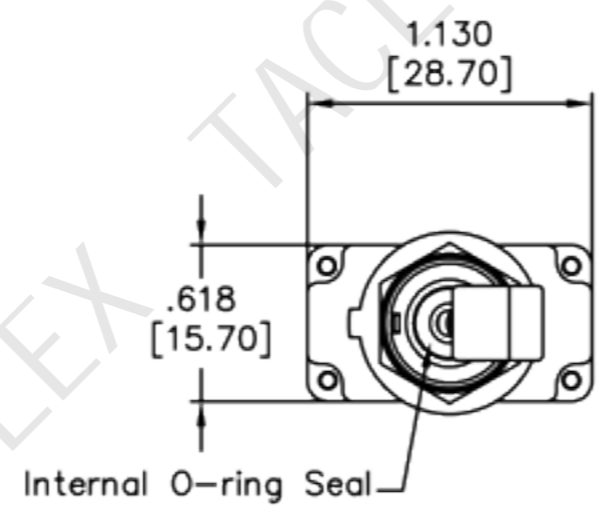
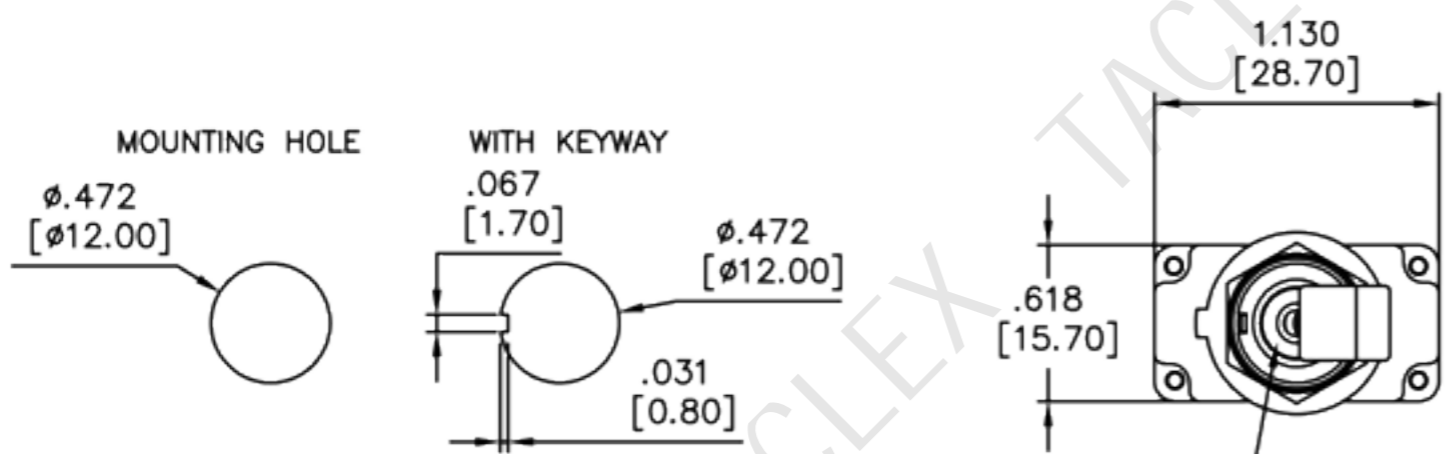


| | | | |
|------------|-------------------|-------------|---------------|
| REV. 更改 | DESCRIPTION 說明 | ENG. 修改人 | APPROVE 審核 |
|------------|-------------------|-------------|---------------|



| MODEL NO. | SWITCH POSITION | | |
|-------------|-----------------|------|------|
| | ON | NONE | ON |
| SP-1 | ON | NONE | ON |
| SP-2 | ON | NONE | (ON) |
| SP-A | (ON) | NONE | ON |
| SP-3 | ON | OFF | ON |
| SP-4 | (ON) | OFF | (ON) |
| SP-5 | ON | OFF | (ON) |
| Term. Comm. | 2-3 | OPEN | 2-1 |

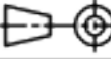
SPECIFICATIONS:

- MOVABLE CONTACT: Copper alloy, silver plated
- TERMINALS: Brass tin plating
- RATING: 10A @ 250VAC or 12A @ 125VAC
1/2 HP 125VAC/ 1HP 250VAC/5A 125VAC
- CONTACT RESISTANCE: 20m-ohms max. initial
- INSULATION RESISTANCE: 100M-ohms min. @ 500VDC
- DIELECTRIC STRENGTH: 1,500V RMS @ sea level
- ELECTRICAL LIFE: 30,000 make and break cycles at full load
- OPERATING TEMPERATURE: -30°C to +85°C
- IP67 Protection Class
- HAND SOLDERING TEMPERATURE: 350°C for 3sec. Max.
(No pressure to be applied on terminals)

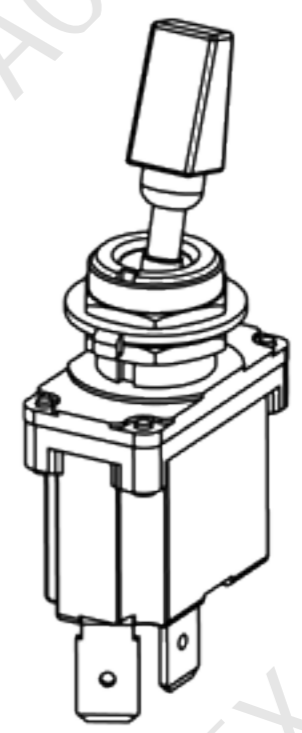
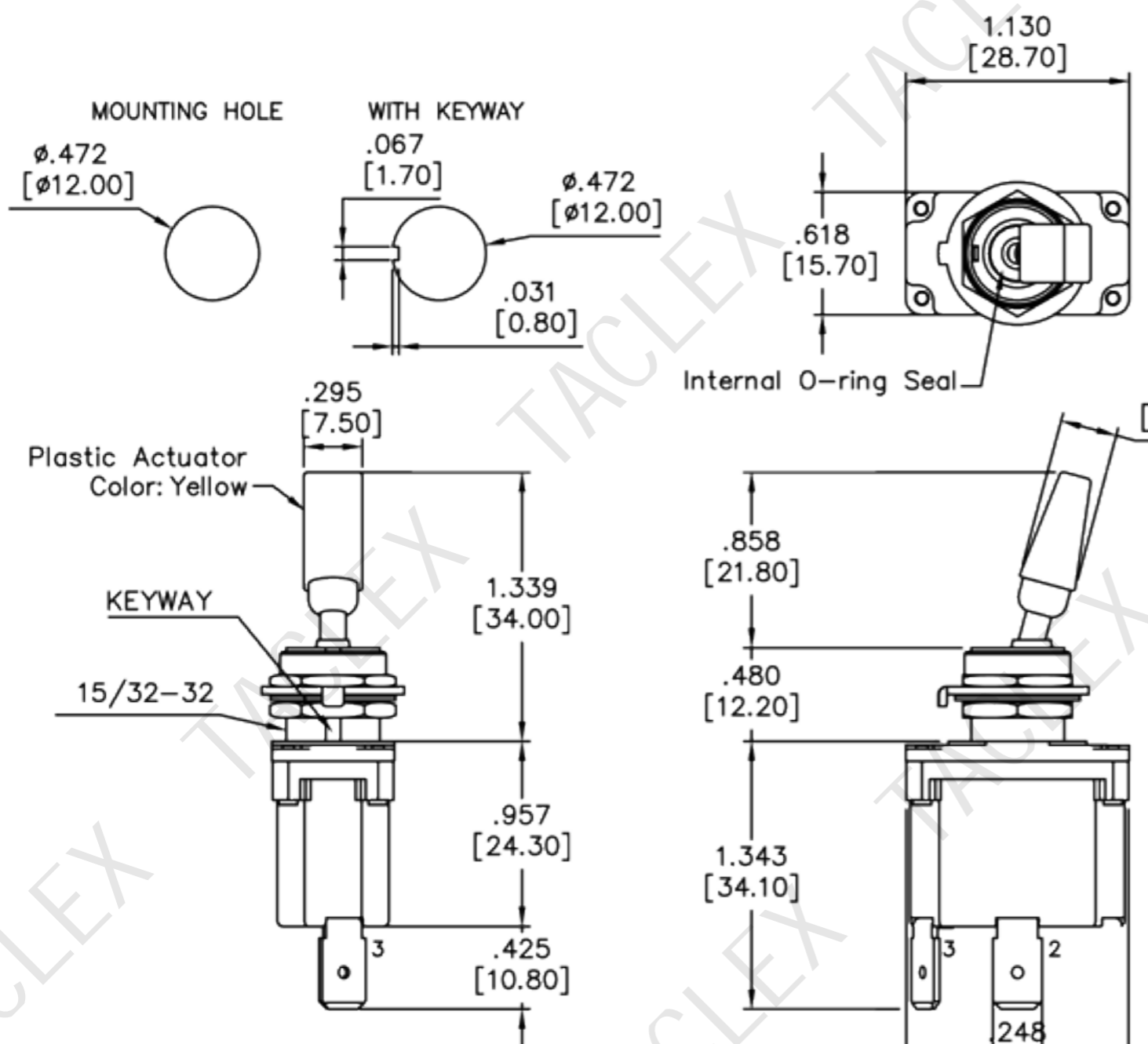
| UNLESS OTHERWISE SPECIFIED DIMENSIONS ARE IN MILLIMETERS ANGULAR TOLERANCE: ±1.0° | |
|---|-----------|
| DIMENSIONS | TOLERANCE |
| 0.00 TO 30.00mm | ±0.20mm |
| 30.01 TO 80.00mm | ±0.25mm |
| 80.01 TO 150.00mm | ±0.30mm |
| 150.01 | ±0.40mm |

 TACLEX ELECTRONICS CO.,LTD.

| | | | |
|--------------|-----|-------------|----------------|
| USED 用途 | L7A | APPD. 審核 | Amy 2010/02/08 |
| FINISH 處理 | | CHKD. 校對 | Amy 2010/02/08 |
| SCALE 比例 | / | UNIT 單位 | in(mm) |
| | | DR. 製圖 | Amy 2010/02/08 |

| | | | |
|-------------------|----------------------|-------------|---|
| TITLE 名稱 | SEALED TOGGLE SWITCH | |  |
| DWG NO. 圖號 | L7A-SP1-P15B0M1P | | SIZE 圖紙 |
| FILE NAME 檔案名稱 | L7A-SP1-P15B0M1P | SHEET 張數 | 1/1 |
| | | REV. 更改 | 1 |

| REV. 更改 | DESCRIPTION 說明 | ENG. 修改人 | APPROVE 審核 |
|------------|-------------------|-------------|---------------|
| | | | |

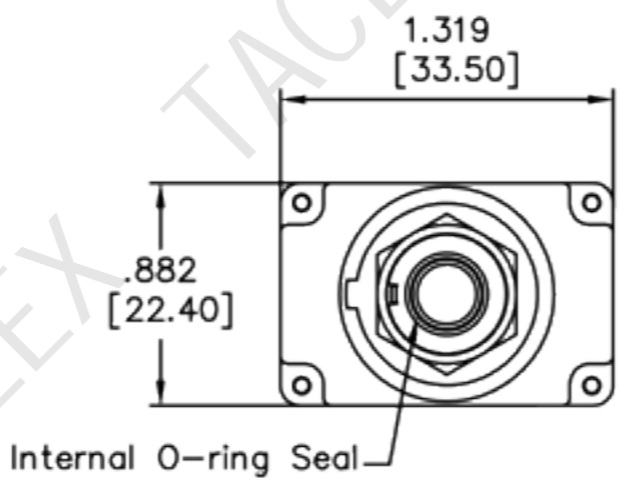
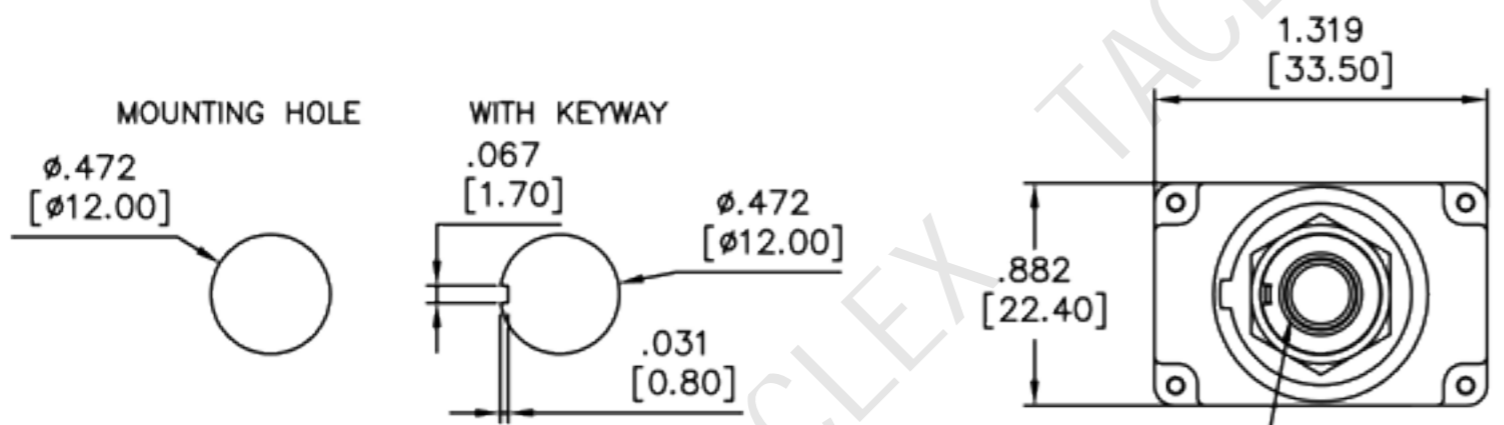


| MODEL NO. | SWITCH POSITION | | |
|-------------|-----------------|------|-------|
| 2P-1 | ON | NONE | OFF |
| 2P-8 | ON | NONE | (OFF) |
| 2P-9 | (ON) | NONE | OFF |
| Term. Comm. | 2-3 | OPEN | 2-1 |

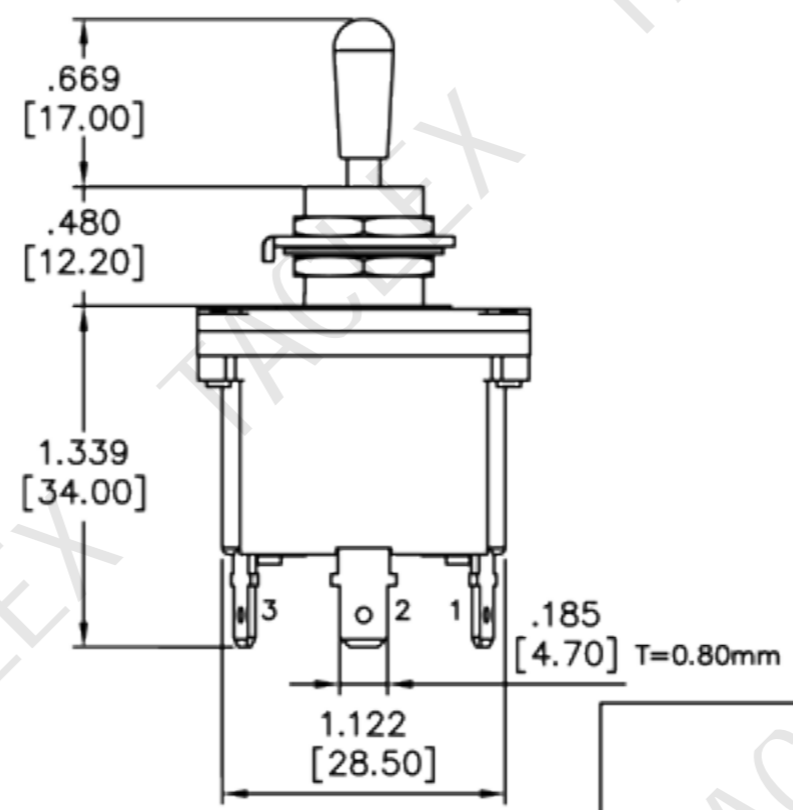
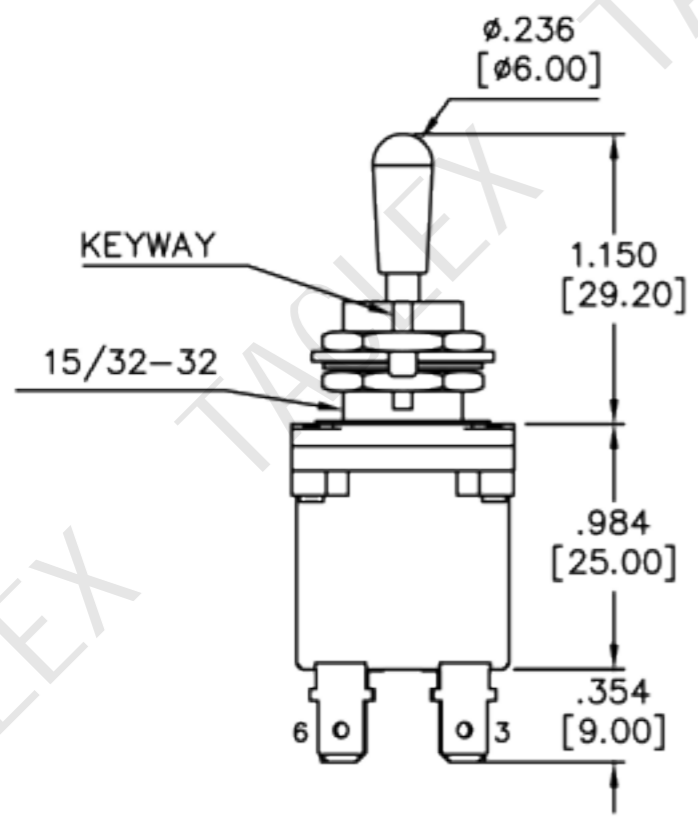
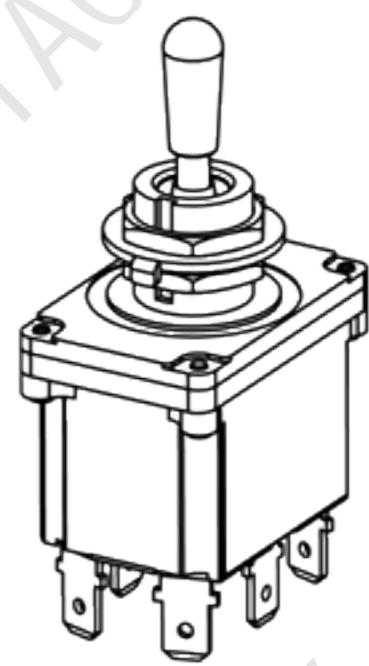
SPECIFICATIONS:

- MOVABLE CONTACT: Copper alloy, silver plated
- TERMINALS: Brass bronzing
- RATING: 10A @ 250VAC or 12A @ 125VAC
1/2 HP 125VAC/ 1HP 250VAC/5A 125VAC
- CONTACT RESISTANCE: 20m-ohms max. initial
- INSULATION RESISTANCE: 100M-ohms min. @ 500VDC
- DIELECTRIC STRENGTH: 1,500V RMS @ sea level
- ELECTRICAL LIFE: 30,000 make and break cycles at full load
- OPERATING TEMPERATURE: -30°C to $+85^{\circ}\text{C}$
- IP67 Protection Class
- SOLDERING TEMPERATURE: 350°C for 3sec. Max.
(No pressure to be applied on terminals)

| | | | |
|---|---------------------|-----------------------------------|----------------------------|
| UNLESS OTHERWISE SPECIFIED DIMENSIONS ARE IN MILLIMETERS ANGULAR TOLERANCE: $\pm 1.0^{\circ}$ | | TACLEX ELECTRONICS CO.,LTD. | |
| | | USED 用途 L7A | APPD. 審核 Amy 2010/02/08 |
| DIMENSIONS | | FINISH 處理 | CHKD. 校對 Amy 2010/02/08 |
| 0.00 TO 30.00mm | $\pm 0.20\text{mm}$ | SCALE 比例 / | DR. 製圖 Amy 2010/02/08 |
| 30.01 TO 80.00mm | $\pm 0.25\text{mm}$ | UNIT 單位 in(mm) | |
| 80.01 TO 150.00mm | $\pm 0.30\text{mm}$ | | |
| 150.01 | $\pm 0.40\text{mm}$ | | |
| MATERIAL | | TITLE 名稱 SEALED TOGGLE SWITCH | |
| | | DWG NO. 圖號 L7A-2P1-P15B0M3X | |
| | | FILE NAME 檔案名稱 L7A-2P1-P1B0M3X | |
| | | SHEET 張數 1/1 | REV. 更改 1 |



| REV. 更改 | DESCRIPTION 說明 | ENG. 修改人 | APPROVE 審核 |
|---------|----------------|----------|------------|
| | | | |




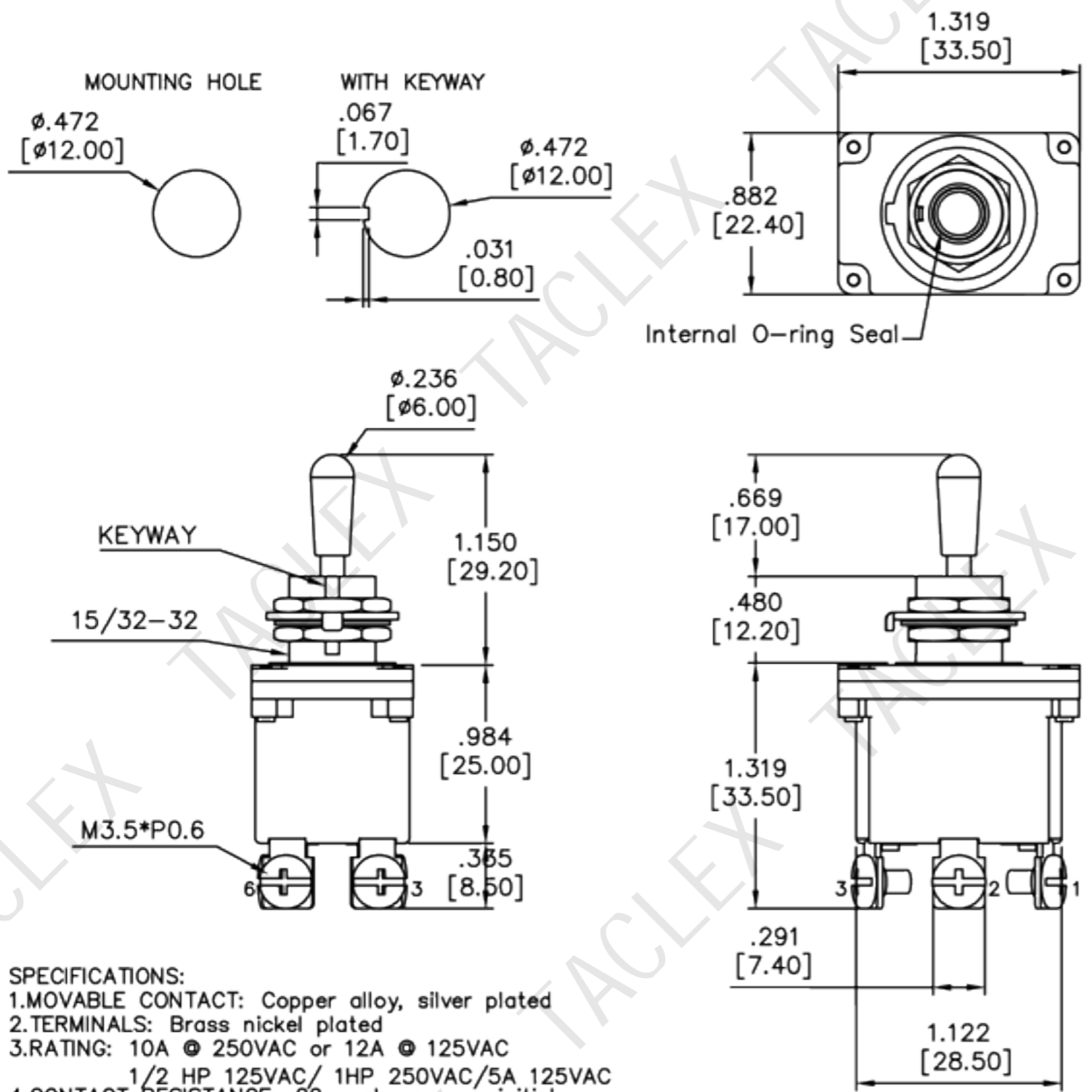
| MODEL NO. | SWITCH POSITION | | |
|-------------|-----------------|------|------------|
| | ON | NONE | ON |
| DP-1 | ON | NONE | ON |
| DP-2 | ON | NONE | (ON) |
| DP-A | (ON) | NONE | ON |
| DP-3 | ON | OFF | ON |
| DP-4 | (ON) | OFF | (ON) |
| DP-5 | ON | OFF | (ON) |
| Term. Comm. | 2-3 5-6 | OPEN | 2-1 5-4 |

- SPECIFICATIONS:**
- MOVABLE CONTACT: Copper alloy, silver plated
 - TERMINALS: Brass bronzing
 - RATING: 10A @ 250VAC or 12A @ 125VAC
1/2 HP 125VAC/ 1HP 250VAC/5A 125VAC
 - CONTACT RESISTANCE: 20m-ohms max. initial
 - INSULATION RESISTANCE: 100M-ohms min. @ 500VDC
 - DIELECTRIC STRENGTH: 1,500V RMS @ sea level
 - ELECTRICAL LIFE: 30,000 make and break cycles at full load
 - OPERATING TEMPERATURE: -30°C to +85°C
 - IP67 Protection Class
 - HAND SOLDERING TEMPERATURE: 350°C for 3sec. Max.
(No pressure to be applied on terminals)

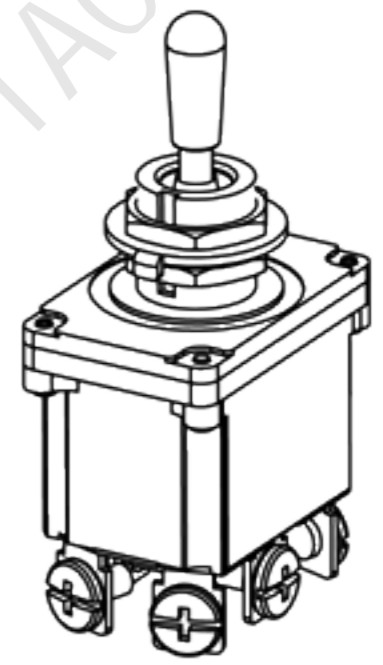
| UNLESS OTHERWISE SPECIFIED DIMENSIONS ARE IN MILLIMETERS ANGULAR TOLERANCE: ±1.0° | |
|---|-----------|
| DIMENSIONS | TOLERANCE |
| 0.00 TO 30.00mm | ±0.20mm |
| 30.01 TO 80.00mm | ±0.25mm |
| 80.01 TO 150.00mm | ±0.30mm |
| 150.01 | ±0.40mm |

 **TACLEX ELECTRONICS CO.,LTD.**

| | | | |
|----------------|-----------------------|----------|---|
| USED 用途 | L7A | APPD. 審核 | Amy 2010/02/08 |
| FINISH 處理 | | CHKD. 校對 | Amy 2010/02/08 |
| SCALE 比例 | / | UNIT 單位 | in(mm) |
| TITLE 名稱 | SEALED TOGGLE SWITCH | |  |
| DWG NO. 圖號 | L7A-DP4-A10B0M31X | | SIZE 圖紙 |
| FILE NAME 檔案名稱 | L7A-DP4-A10B0M31X.dwg | SHEET 頁數 | 1 / 1 |
| REV. 更改 | | REV. 更改 | 1 |



| REV. 更改 | DESCRIPTION 說明 | ENG. 修改人 | APPROVE 審核 |
|------------|-------------------|-------------|---------------|
| | | | |



| MODEL NO. | SWITCH POSITION | | |
|-------------|-----------------|------|------|
| | ON | NONE | ON |
| DP-1 | ON | NONE | ON |
| DP-2 | ON | NONE | (ON) |
| DP-A | (ON) | NONE | ON |
| DP-3 | ON | OFF | ON |
| DP-4 | (ON) | OFF | (ON) |
| DP-5 | ON | OFF | (ON) |
| Term. Comm. | 2-3 | OPEN | 2-1 |
| | 5-6 | | 5-4 |

SPECIFICATIONS:

- MOVABLE CONTACT: Copper alloy, silver plated
- TERMINALS: Brass nickel plated
- RATING: 10A @ 250VAC or 12A @ 125VAC
1/2 HP 125VAC/ 1HP 250VAC/5A 125VAC
- CONTACT RESISTANCE: 20m-ohms max. initial
- INSULATION RESISTANCE: 100M-ohms min. @ 500VDC
- DIELECTRIC STRENGTH: 1,500V RMS @ sea level
- ELECTRICAL LIFE: 30,000 make and break cycles at full load
- OPERATING TEMPERATURE: -30°C to +85°C
- IP67 Protection Class
- HAND SOLDERING TEMPERATURE: 350°C for 3sec. Max.
(No pressure to be applied on terminals)

| | | | |
|---|---------|---------------------------------------|----------------------------|
| UNLESS OTHERWISE SPECIFIED DIMENSIONS ARE IN MILLIMETERS ANGULAR TOLERANCE: ±1.0° | | TACLEX ELECTRONICS CO.,LTD. | |
| | | USED 用途 L7A | APPD. 審核 Amy 2010/02/08 |
| DIMENSIONS TOLERANCE | | FINISH 處理 | CHKD. 校對 Amy 2010/02/08 |
| 0.00 TO 30.00mm | ±0.20mm | SCALE 比例 / | UNIT 單位 in(mm) |
| 30.01 TO 80.00mm | ±0.25mm | | |
| 80.01 TO 150.00mm | ±0.30mm | DR. 製圖 Amy 2010/02/08 | |
| 150.01 | ±0.40mm | TITLE 名稱 SEALED TOGGLE SWITCH | |
| MATERIAL | | DWG NO. 圖號 L7A-DP3-A10B0M4 | SIZE 圖紙 A4 |
| | | FILE NAME 檔案名稱 L7A-DP3-A10B0M4.dwg | SHEET 張數 1/1 |
| | | REV. 更改 1 | |