



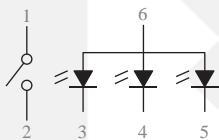
Illuminated Tactile Switches Series ZLS67



General Specifications

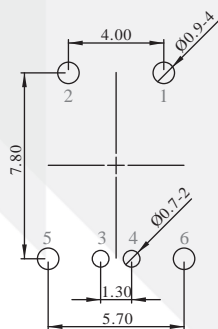
Circuit	:SPST
Current Rating	:50mA @ 12VDC
Contact Resistance	:100mOhm Max. (initial)
Insulation Resistance	:100MOhm Min.
Operating Force	:160gf ±50gf
Total Travel	:0.2mm ±0.1mm
Mechanical Life	:500,000 cycles Min.
Operating Temperature	:-25 deg. ~ +70 deg.
LED Color	:Red / Green / Blue
Materials	
Reflector	:Polyamide(PA)
Base	:Polyamide(PA)
Action Dome	:Stainless steel with silver plating
SW Terminal	:Brass silver plated over nickel under plating
LED Terminal	:Phosphor bronze silver plated over nickel under plating
Adapter	:Polyamide(PA)

▶ Circuit Diagram & PCB layout

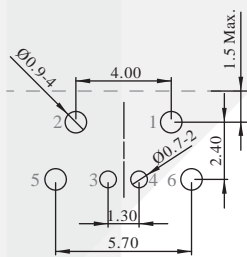


Pin	Function
1	SW COM.
2	SW N.O.
3	Green LED (-)
4	Red LED (-)
5	Blue LED (-)
6	LED (+)

Contact Configuration



P.C.B. Layout for ZLS67VH (Vertical switch)



P.C.B. Layout for ZLS67AK (Right angle switch)

▶ How to Order for 6 Smart Cap & 9 Smart Cap



+ SMART CAP =

or



▶ How to Order for Standard Cap

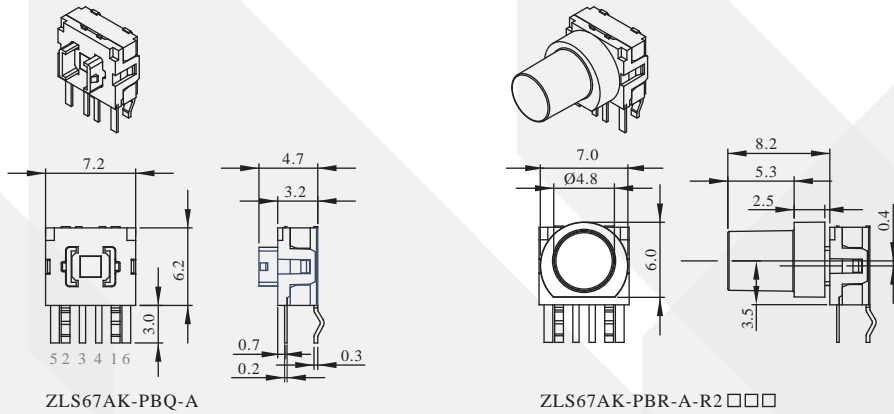




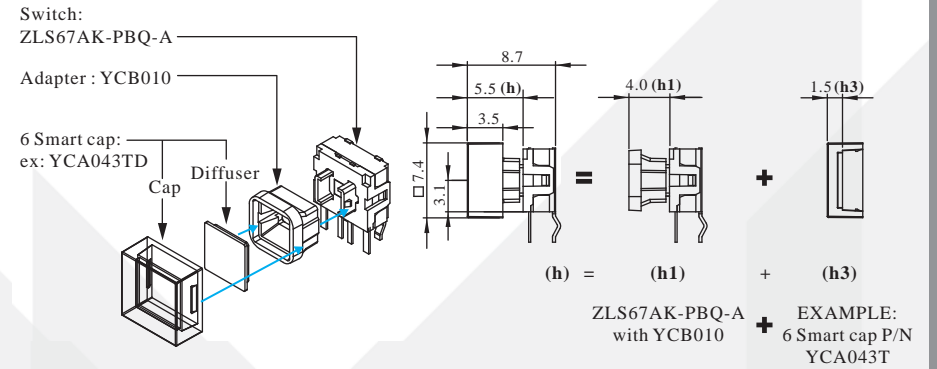
TACLEX

Illuminated Tactile Switches Series ZLS67

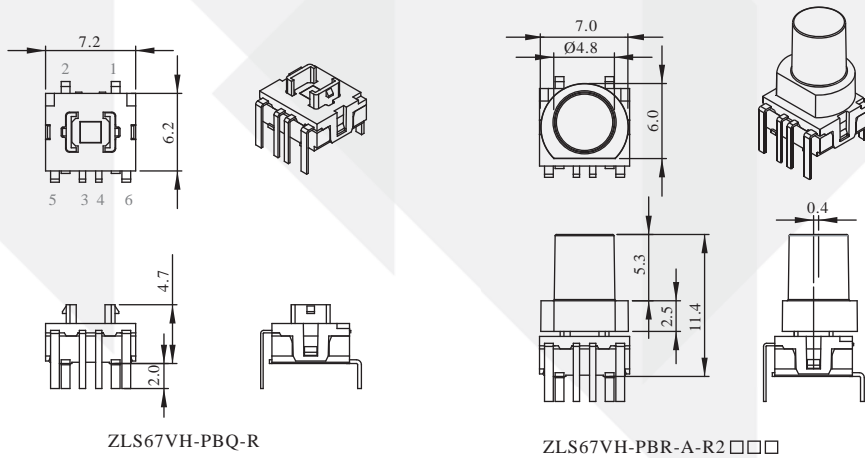
Dimension of ZLS67AK (Right angle switch)



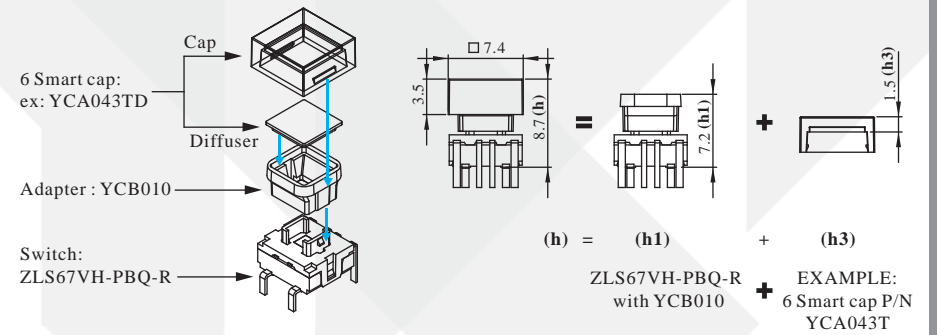
Dimension of ZLS67AK with 6 SMART cap



Dimension of ZLS67VH (Vertical switch)



Dimension of ZLS67VH with 6 SMART cap

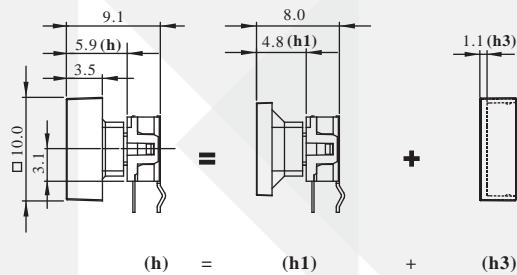
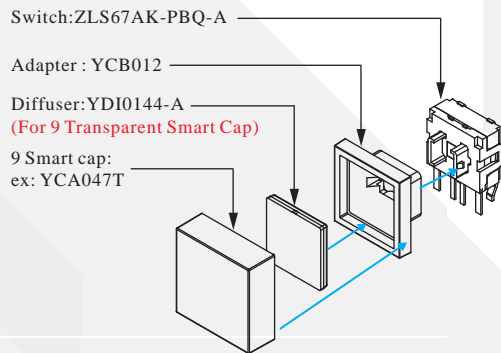




TACLEX

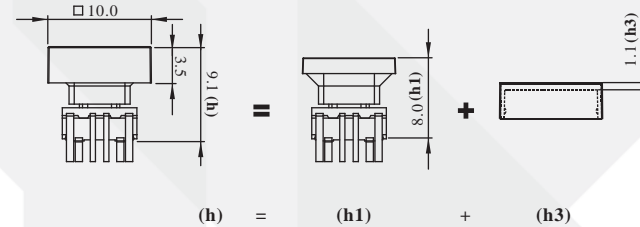
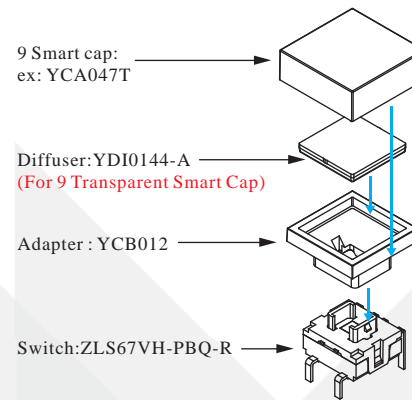
Illuminated Tactile Switches Series ZLS67

Dimension of ZLS67AK with 9 SMART cap



ZLS67AK-PBQ-A + EXAMPLE:
with YCB012 9 Smart cap P/N
YCA0474

Dimension of ZLS67VH with 9 SMART cap



ZLS67VH-PBQ-R + EXAMPLE:
with YCB012 9 Smart cap P/N
YCA0474