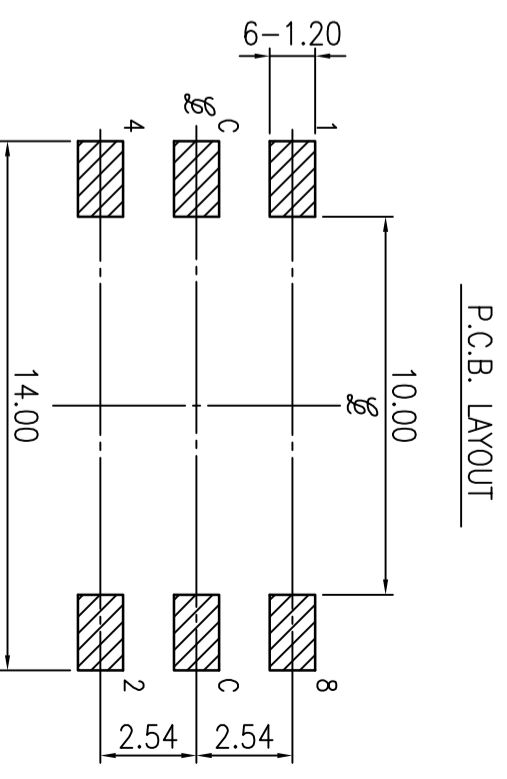
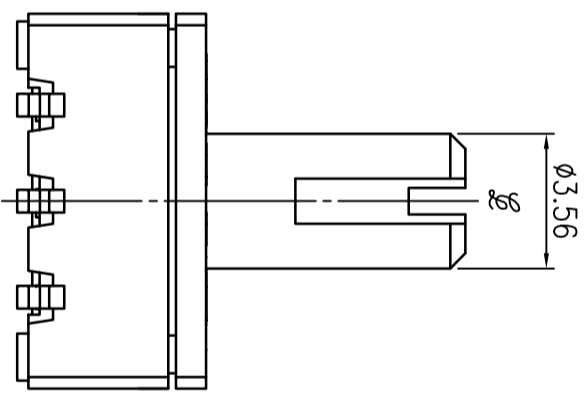
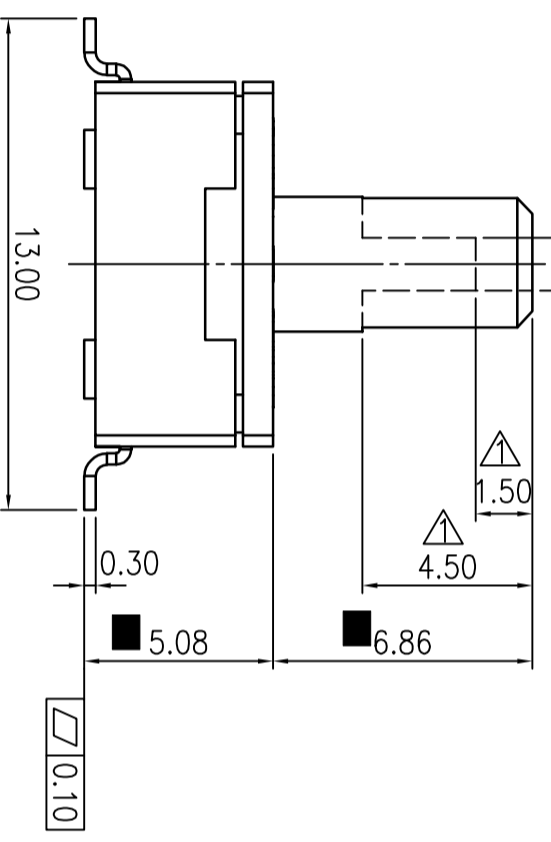


- SPECIFICATIONS:**
1. MAXIMUM RATING: 24VDC, 25mA.
 2. MINIMUM RATING: 3.5VDC, 10µA.
 3. CONTACT RESISTANCE: 200mΩ MAX.
 4. INSULATION RESISTANCE: 250VDC-100MΩ MIN.
 5. WITHSTAND VOLTAGE: 250VAC-1 MINUTE
 6. ROTARY TORQUE: 350gf.cm MAX.
 7. TOTAL ROTARY ANGLE: 360° (10 or 16 STEPS)
 8. LIFE CYCLE: 20,000 STEPS

16 POSITIONS RSF-BF_M DATE CODE: YEAR 20.21.22.....
 10 POSITIONS RSF-BA_M DATE CODE: WEEK 01.....52

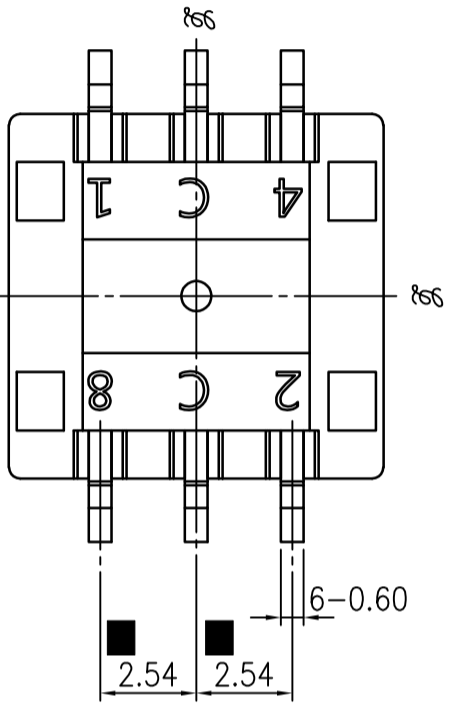
■ CIRCUIT CHART
 REAL CODE RSF-B_RM
 GRAY CODE RSF-B_GM

16 POSITIONS		10 POSITIONS	
CODE	C 1 2 4 8	CODE	C 1 2 4 8
0	●	0	●
1	●	1	●
2	●	2	●
3	●	3	●
4	●	4	●
5	●	5	●
6	●	6	●
7	●	7	●
8	●	8	●
9	●	9	●
A	●		
B	●		
C	●		
D	●		
E	●		
F	●		



HATCHED AREA SHOW SOLDERING LAND

NO.	PART NAME	MATERIAL	Q'TY	FINISHING
1	FRAME	PA+G	1	
2	COVER	PA+G	1	
3	SPRING PLATE	SUS	1	
4	ROTOR	LCP+G	1	
5	TERMINAL	BRASS	6	Au/Sn PLATED
6	CONTACT PLATE	COPPER ALLOY	1	Au PLATED
7	O-RING	SILICONE RUBBER	1	
8	SPACER	SUS	1	



TACLEX ELECTRONICS CO., LTD.

TOLERANCES UNLESS OTHERWISE SPECIFIED		SIGNATURES		DATE		TITLE	
LINEAR: ±0.30	ANGULAR: ±3°						ROTARY SWITCH

REVISIONS	SCALE	CHK'D	NO.
B1	5/1	APPV'D	RSF-B_M

SYM	DISCRPTION	DATE	APPROVED
△	增加DATE CODE	2020.12.03	Austin
△	增加尺寸標註	2019.07.12	Andy