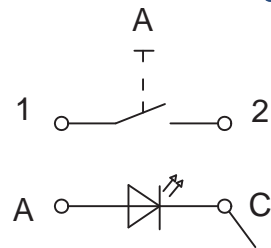
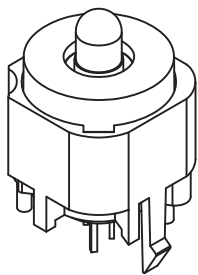


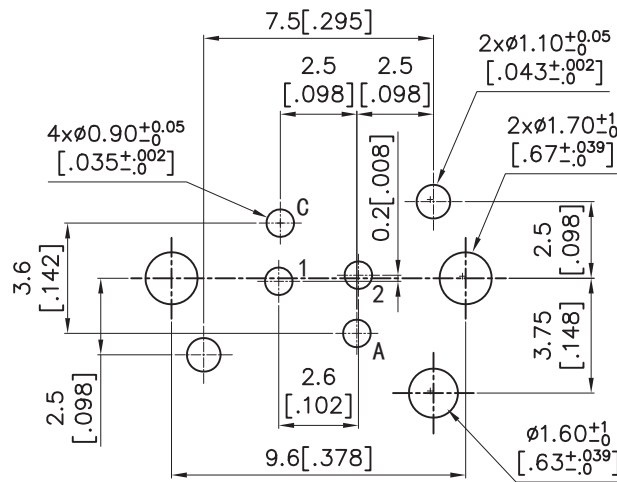
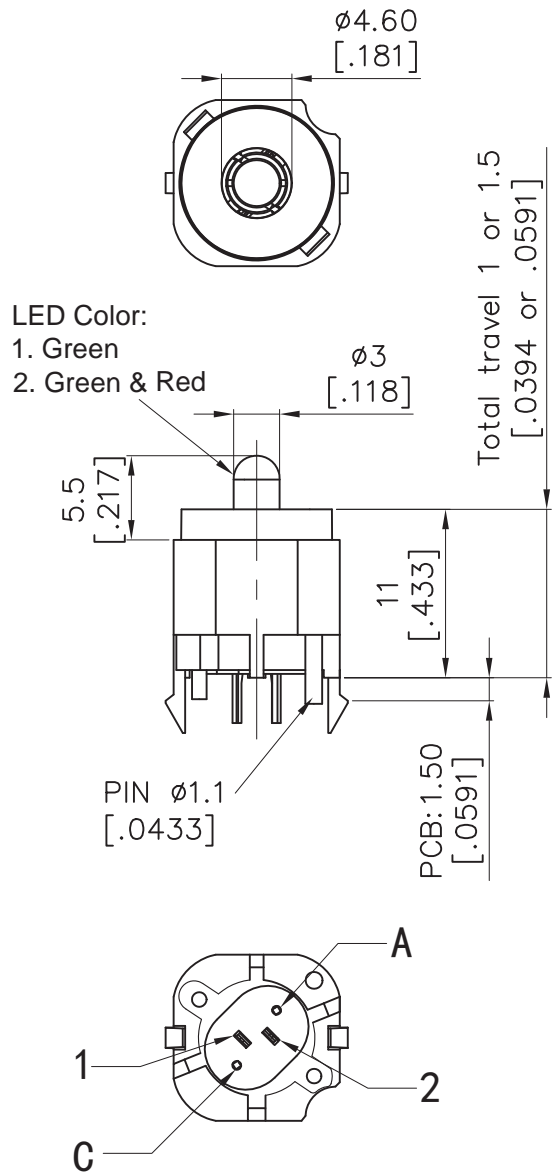
僅供參考



ELECTRICAL GRAPH

Specifications:

1. Rating: 10mA/2VDC(min) , 100mA/30VDC(max)
2. Electrical Life: 500000 cycle
4. Insulation Resistance: 1000MΩ @ 500VDC
5. Dielectric Strength (50Hz, 1min): 500V
6. Contact Resistance: 50mΩ (Initial)
7. Operation temperature: -40° ~ +85°
8. Travel: 1.5mm ± 0.5mm
9. Operating Force: 600gf. Typ. (A)
10. Terminal: Stainless steel, Gold over Nickel plated



PCB LAYOUT, MOUNTING SIDE
SCALE 2: 1

Hole	Ø	Without LED	Description	Terminal Section	Surface
⊕	1.7 (.069)	2x	snap-in		
⊕	1.6 (.062)	1x	coding hole (L,M,N)		
⊕	1.1 (.043)	2x	center hole		Sn
⊕	0.9 (.035)	2x	LED	m0.5 (.020)	Sn
		2x	switch	0.7x0.2 (.028x.081)	



符號	原尺寸	修改後尺寸	變更日期	SCALE (比例) : 1 : 1	TITLE 圖名	Pushbutton Switches			SIZE 圖紙	A4
1 (A)	600gf. ± 100gf	600gf. Typ.	SEP-11-2020	TOLERANCE (公差) : 0.00mm ± 0.25mm 0.0mm ± 0.40mm ANGULAR: ± 5° FILE NAME : TEST-2575	DWG NO. 圖號	TEST-2575			UNIT 單位	mm inch
2 (B)					REV. 版本	R02	DATE 日期	SEP - 08 - 2020	SHEET 張數	1 of 1
3 (C)					APPROVE 審核	顧睿豐	CHECK 確認	陳冠宇	DRAW 製圖	Dison
4 (D)										
5 (E)										