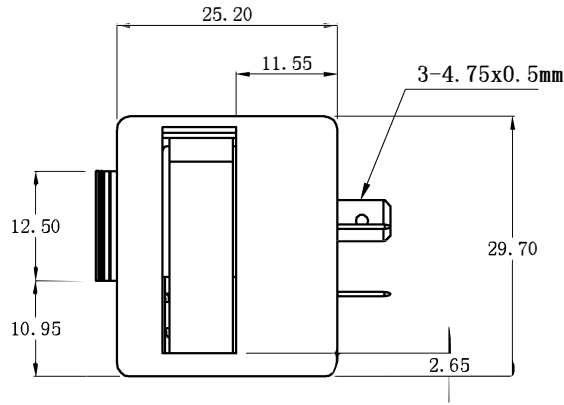
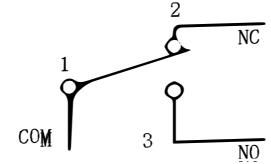


SWD-06AABA01

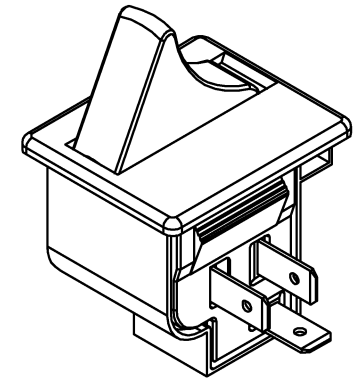
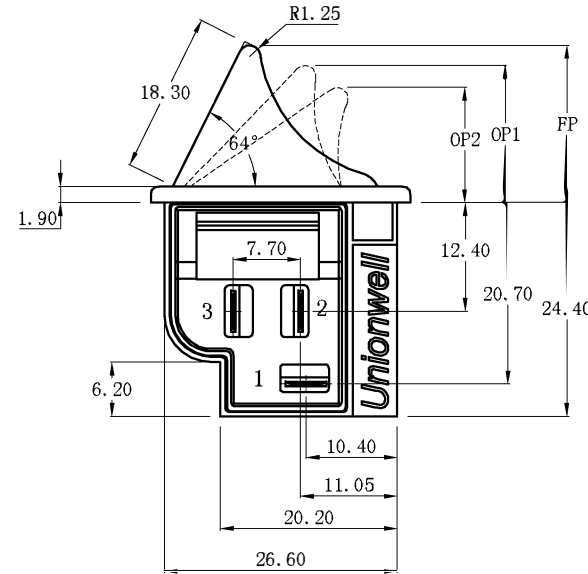
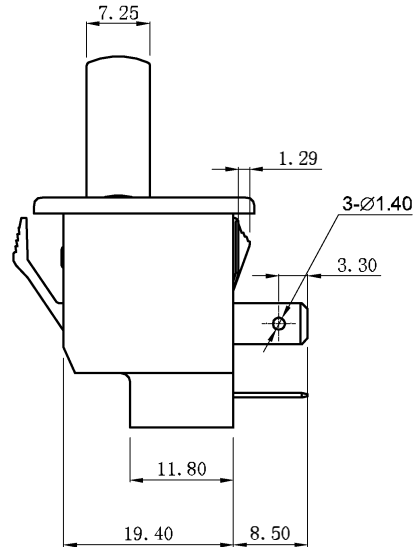
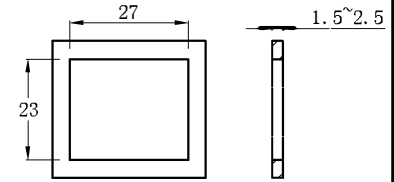


FOR REFERENCE ONLY  
CONFIDENTIAL

Circuit Diagram



Mounting Hole Dimensions



CHARACTERISITICS

ELECTRICAL DATA

Free Position:	18.9mm Max.
Operation Position 1:	16.00±1.50 mm
Operation Position 2:	14.3±2.00 mm
Operating Force:	400gf Max.
Total travel positon:	4.5mm Mim.

CONTACT ARRANGEMENT	SWITCH SEALING
SPDT	IP67
ATEX Certificate Number: TPS 20 ATEX 107202 0001U	
Ratings	
2.5A 125/250VAC 25T85 μ 5E4	
6A 125/250VAC 25T85 μ 1E4	

REV	REF	DESCRIPTION			DWN. BY	DATE
TITLE	SWD SERIES OUTLINE DRAWING	PAGE	1/1	VERSION	REV	XO
MODEL	SWD Door Switch	DRAWING	CHK. BY	APP. BY		
PART NO.	SWD-06AABA01	Tim	Xinping Mao	Luke Lu		
TOLERANCES UNLESS OTHERWISE STATED		DATE	DATE	DATE		
		2020-09-16	2020-09-16	2020-09-16		
DIMENSION		ANGLE	SCALE	1:1		
±0.40		±2°	UNIT	mm		
TACLEX ELECTRONICS CO., LTD.						