

MPS22 Series

22mm Short Metal Pushbutton Switches



SPECIFICATIONS

RATING : 2A/36VDC

ELECTRICAL LIFE: 200,000 make-and-break cycles at full load.

MECHANICAL LIFE: 1,000,000. Cycles

DIELECTRIC STRENGTH: 2,000V RMS@sea level

CONTACT RESISTANCE: 50mΩ MAX.@1A 12VDC(initial value)

OPERATING TEMPERATURE: -20°C to 70°C

TRAVEL: ABOUT 1.8mm

OPERATION PRESSURE: 4.5±1.5N

INGRESS PROTECTION: IP67,IK10(Stainless)

TORQUE: 1~3Nm

Current limiting resistor is required to limit led forward current to 20mA

MATERIALS

BUSHING : Stainless Steel

BASE : PA66,White UL-94V0

ACTUATOR : PC,Translucent UL-94V2
Stainless Steel

INNER ASSEMBLY : PC, Transparent UL-94V2

SPRING : Spring steel

SEALING : Silicone, Translucent

O-Ring : Silicone

TERMINAL : Brass ,Gold flash plated

CONTACT : Brass,Sliver alloy

HEX NUT : Brass,Nickel plated

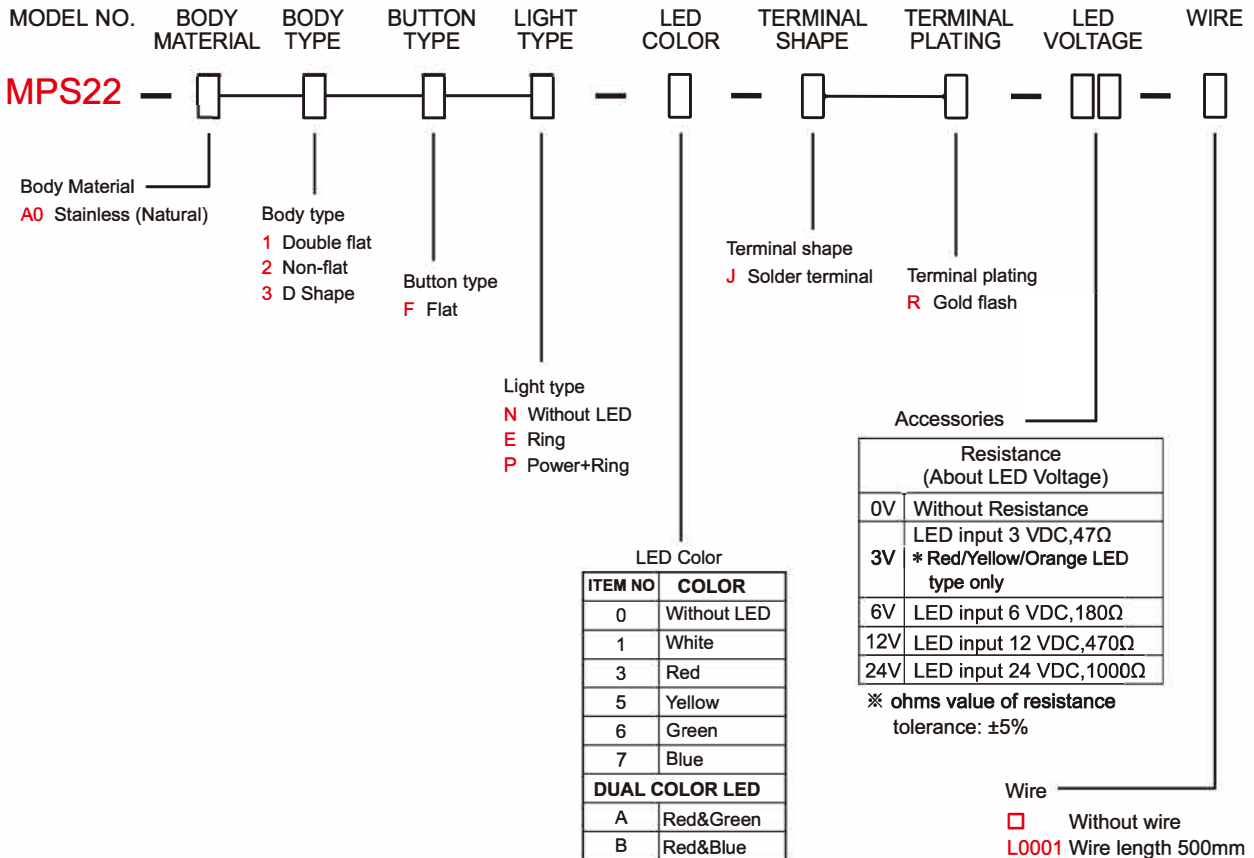


MPS22 Pushbutton Switches

HOW TO ORDER

IP 67
ACCORDING TO
EN 60529:1991+A1:2001
IEC 60529:2001

RoHS
compliant



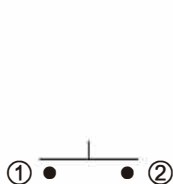
EXAMPLE:

MPS22-A01FN-0-JR-0V (Without LED)

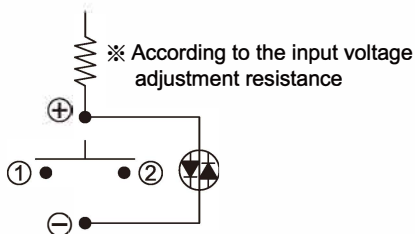
MPS22-A01FE-[]-JR-[]V

LED color LED voltage

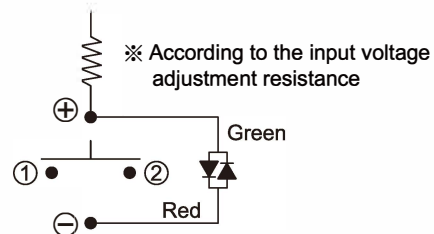
CIRCUIT



Without Led



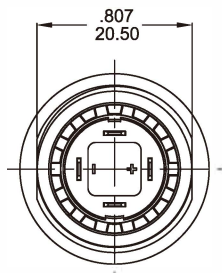
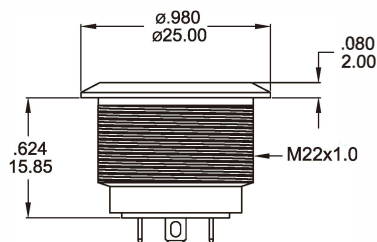
Single Color Led



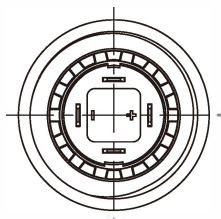
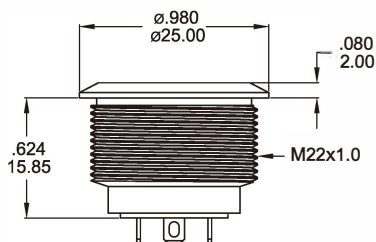
Dual Color Led

BODY TYPE

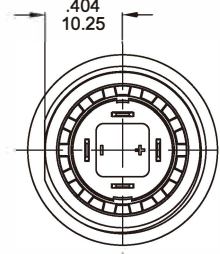
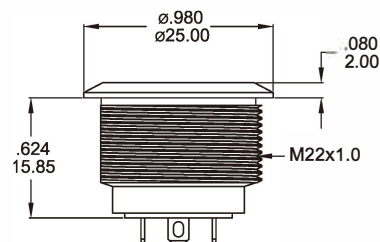
Double flat



Non-flat

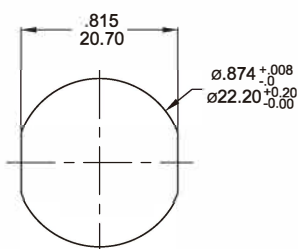


D Shape

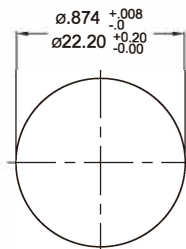


PANEL CUTOUT

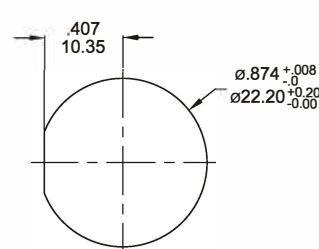
Thickness: 6.0mm(Max.)



Double flat



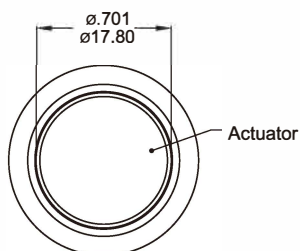
Non-flat



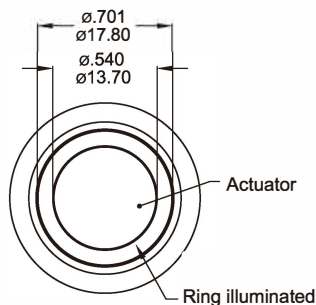
D Shape

LIGHT TYPE

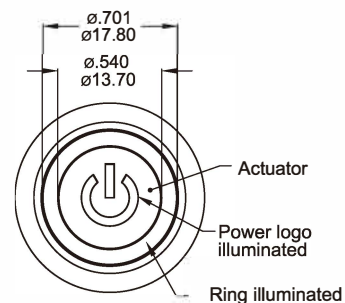
N Without LED



E Ring



P Power+Ring

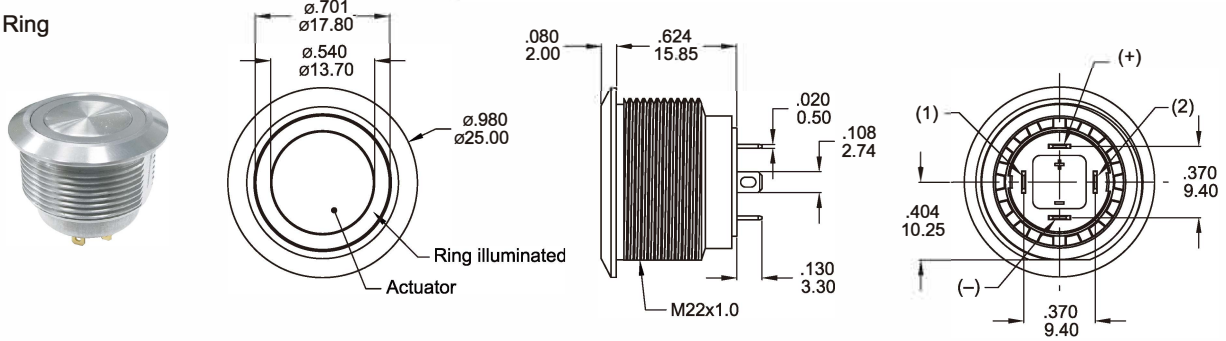


MPS22 Series

22mm Short Metal Pushbutton Switches

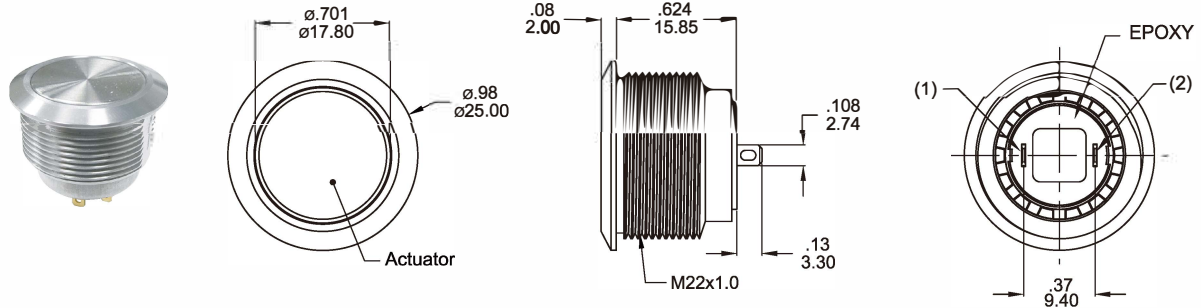
LIGHT TYPE

E Ring



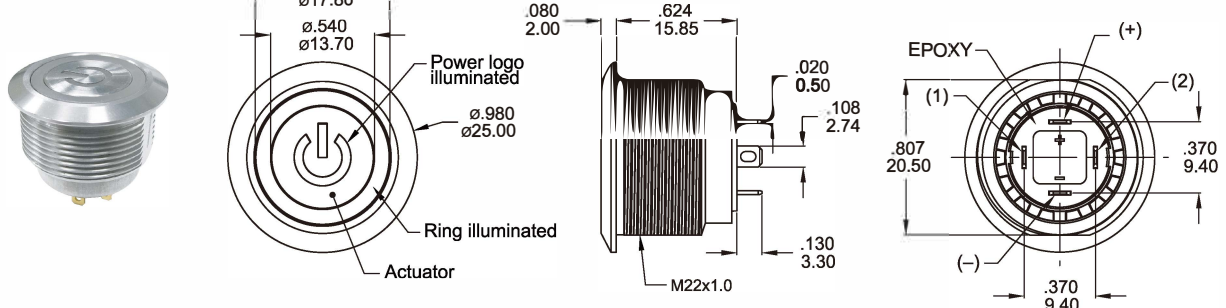
Part No. Shown : MPS22-A03FE-□-JR-□V

N Without LED



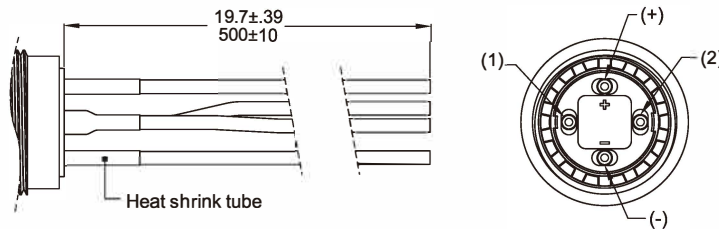
Part No. Shown : MPS22-A02FN-0-JR-0V

P Power+Ring



Part No. Shown : MPS22-A01FP-□-JR-□V

L0001 ※Wire=Multi-wire lead AWG20, section 0.6mm², UL approved

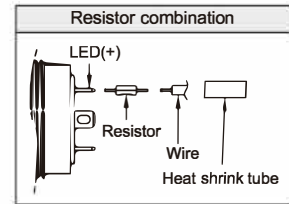


Non-LED

Description	Wire color
Terminal 1	Black
Terminal 2	Black

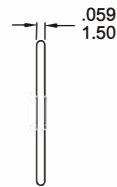
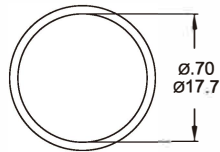
With LED

Description	Wire color
Terminal 1	Black
Terminal 2	Black
LED+	Red
LED-	Green

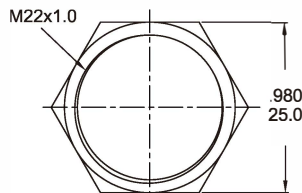


ADDITIONAL

O-RING
No.:CP-MPB07



M22 NUT
No.:NU-MPB02



O-RING INSTALLATION

