

MPF16 Series

16mm Metal Pushbutton Switches



SPECIFICATIONS

- RATING :** 50mA 12VDC.
- OPERATION LIFE :** 500,000 Cycles.
- INSULATION RESISTANCE :** 100 MΩ Min. at 500VDC.
- DIELECTRIC STRENGTH :** 500V RMS@sea level.
- CONTACT RESISTANCE :** 100mΩ Max.@1A/12VDC(Initial value)
- OPERATION TEMPERATURE :** -40°C~+85°C
- TRAVEL:** About 3.0±0.3mm.
- OPERATION PRESSURE :** 300gf±150gf.
- INGRESS PROTECTION :** IP67
- TORQUE :** 11.5 kgf · cm

MATERIALS

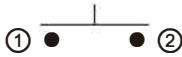
- BUSHING :** Aluminum alloy,Black.
- BASE :** PA66.
- ACTUATOR :** PC.
- CAP :** PA66,Black.
- SPRING :** Steel.
- O-Ring :** NBR(Black).
- TERMINAL :** Brass,Gold flash plated.
- CONTACT :** Brass,Gold flash plated.
- NUT :** SPCC(Nickel Plated).

IP 67
ACCORDING TO
EN 60529:1991+A1:2001
IEC 60529:2001



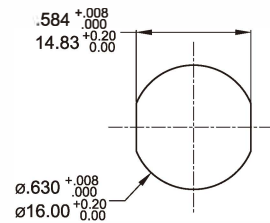
CIRCUIT / PANEL MOUNTING

CIRCUIT

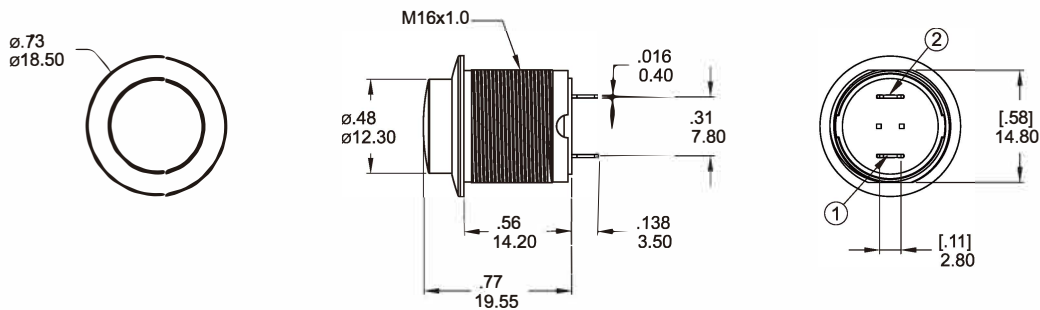


PANEL CUTOUT

THICKNESS: 8.0mm(.315)

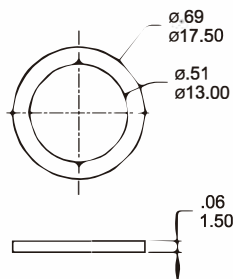


Part No. Shown : MPF16-CD1HRN-JR



PANEL CUTOUT / HARDWARE

O-RING



NUT

