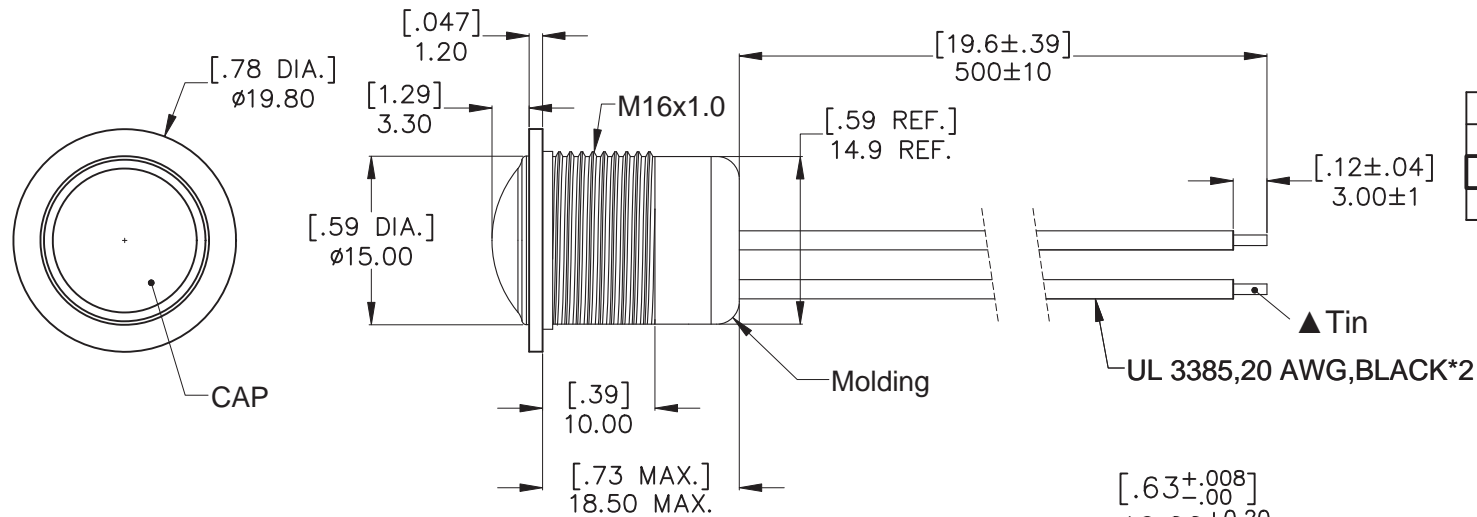


PMD16-P21XX-X



CAP color	
01	White
03	Red
05	Yellow
06	Green

Connect forms	
Z	SPDT
T	SPST-NO
D	SPST-NC

Wire	
W001	Waterproof Wire length 500mm

Model No.	POS.1	POS.2
CONNECTED TERMINALS	CLOSE	OPEN
SCHEMATIC		
	Com No	Com No

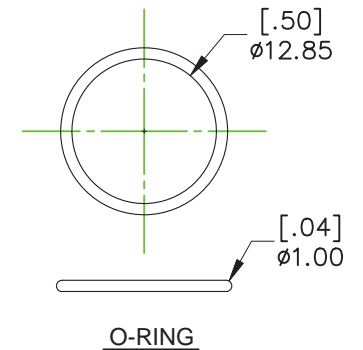
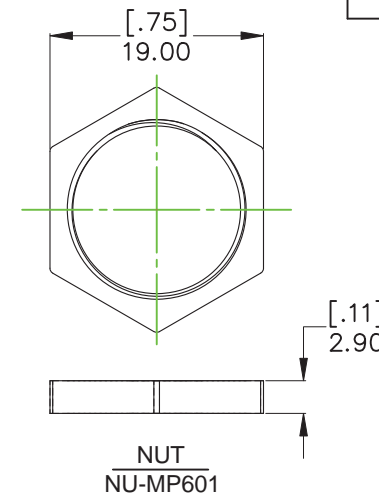
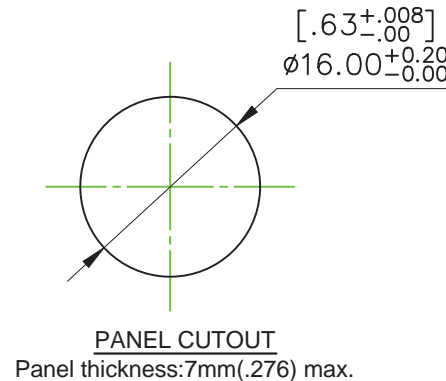
SWITCH FUNCTION

Specifications :

- 1.Rating : 2A 24VDC
- 2.Electrical Life : Min. 10,000 cycles.
- 3.Mechanical Life : 1,000,000 cycles.
- 4.Insulation Resistance : 100 M Ω Min. at 500VDC.
- 5.Dielectric Strength : 500Vrms @ sea level
- 6.Contact Resistance : 100 m Ω Max. @ 1A/12VDC(initial value)

Note: When the switches with the wire assembly, we only test the electric conduction and will not test the contact resistance on the wire.

- 7.Operation Temperature : -20~+65°C.
- 8.Travel : 1.5 mm (.059) \pm 0.3 mm
- 9.Operation Pressure : 7N \pm 2N.
- 10.Ingress Protection : IP67
- 11.Torque : 0.5 to 1 Nm max. applied to nut



MATERIALS

- Case/bushing : Nylon 6/6
- Cap : Polyurethane
- Button: Stainless steel
- Actuator : POM
- Nut: SPCC(Nickel Plated)
- O-RING: Silicone(Translucent)
- RoHS & Lead Free



TACLEX ELECTRONICS CO., LTD.

符號	原尺寸	修改後尺寸	變更日期	SCALE (比例) : 2:1	TITLE 圖名	SIZE 圖紙	
1	(A)			TOLERANCE (公差) : 0.00mm \pm 0.25mm 0.0mm \pm 0.40mm ANGULAR: $\pm 5^\circ$ FILE NAME : PMD16-0005	Low Profile Pushbutton Switches	A4	
2	(B)				DWG NO. 圖號	PMD16-P2105T-W001	UNIT 單位
3	(C)				REV. 版本	A	DATE 日期
4	(D)				APPROVE 審核	顧睿豐	CHECK 確認
5	(E)					劉權論	DRAW 製圖
						SEP - 09 - 2020	SHEET 張數
							1 of 1
							IRENE