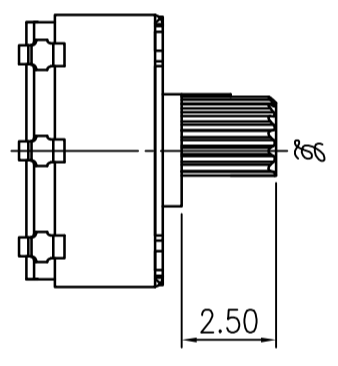
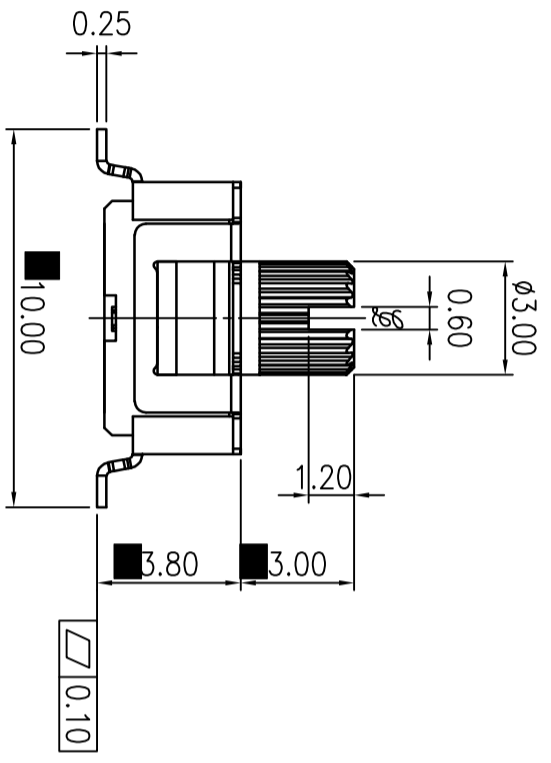


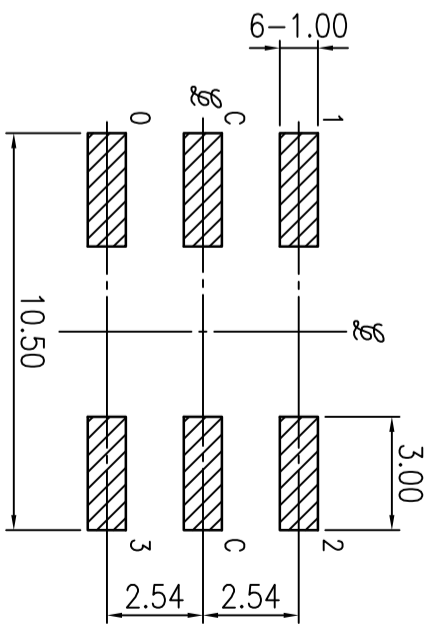
- SPECIFICATIONS:**
1. MAXIMUM RATING: 50VDC, 100mA.
  2. MINIMUM RATING: 20mVDC, 1μA.
  3. CONTACT RESISTANCE: 100mΩ MAX.
  4. INSULATION RESISTANCE: 100VDC-1000MΩ MIN.
  5. WITHSTAND VOLTAGE: 250VAC-1 MINUTE
  6. ROTARY TORQUE: 40~200gf.cm
  7. TOTAL ROTARY ANGLE: 360° (4 STEPS)
  8. LIFE CYCLE: 10,000 STEPS

■ CIRCUIT CHART

POSITIONS		CODE		
0	●	C	0	1
1	●	2	2	3
2	●			
3	●			

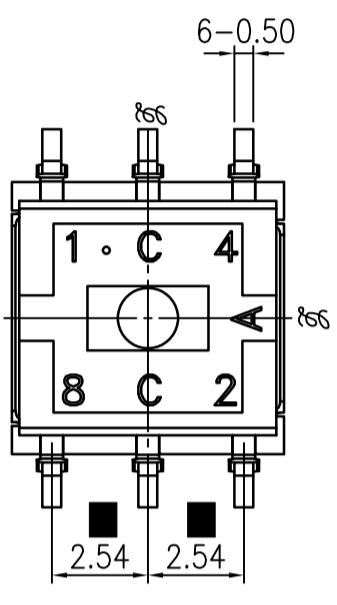


P.C.B. LAYOUT



HATCHED AREA SHOW SOLDERING LAND

NO.	PART NAME	MATERIAL	Q'TY	FINISHING
1	FRAME	PA+G	1	
2	COVER	SUS	1	
3	ROTOR	LCP+G	1	
4	TERMINAL	BRASS	6	Au/Sn PLATED
5	CONTACT PLATE	BeCu	1	Au PLATED
6	O-RING	SILICONE RUBBER	1	
7	SPACER	SUS	1	



**TACLEX ELECTRONICS CO., LTD.**

TOLERANCES UNLESS OTHERWISE SPECIFIED  
LINEAR: ±0.30 ANGULAR: ±3'

SIGNATURES

DATE

TITLE

ROTARY SWITCH

REVISIONS

SCALE

CHK'D

APPV'D

NO.

RSH-24RM

SYM	DISCRPTION	DATE	APPROVED
△			
△			
△			
△			

