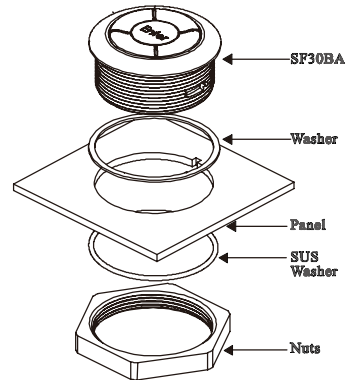
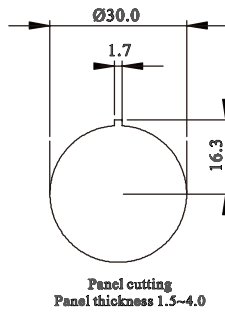
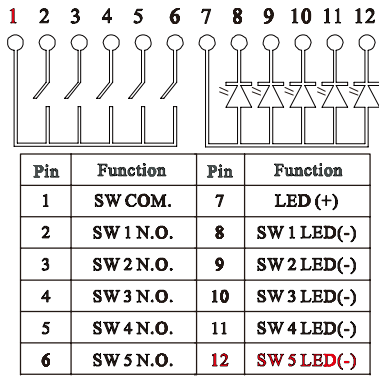
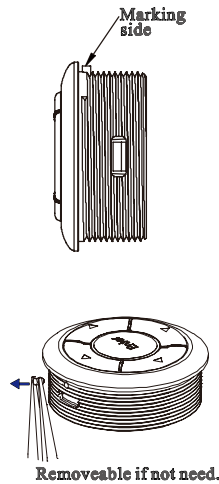
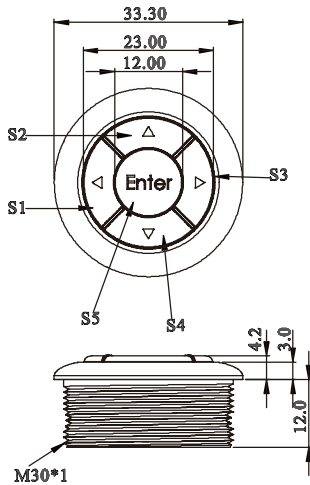


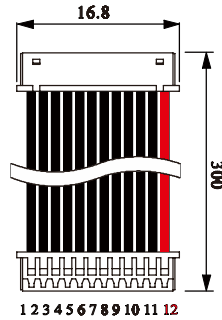
Contact Configuration & Installation Notes & Panel Cutting



Dimension



Option



Cable: YCW024
Conductor pitch / 1.25mm
Conductor width / □0.3mm

How to Order

Module			
Part No	SF30BA4051	SF30BA5051	SF30BA7051
Description	White LED Black cap Marking 1	Pure Green LED Black cap Marking 1	Blue LED Black cap Marking 1

※ Color is subject to actual product.
※ We provide Marking service.