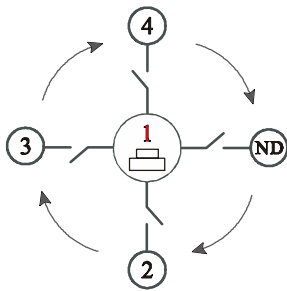
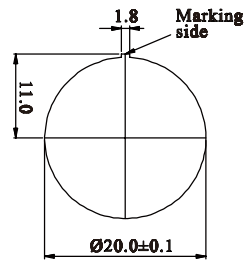


Contact Configuration & Panel cutting

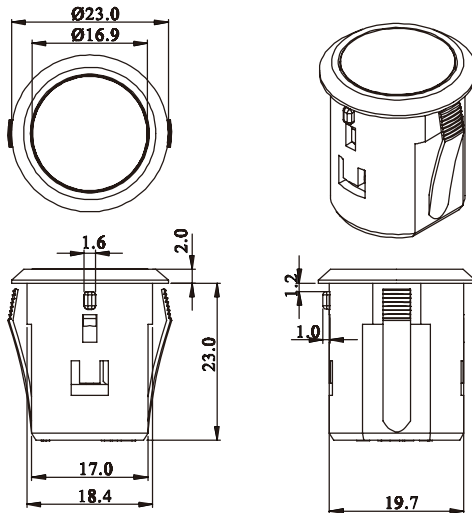


Pin	Function
1	COM
2	1-2 N.O.
3	1-3 N.O.
4	1-4 N.O.



Panel cutting
Panel thickness 1.5~4mm

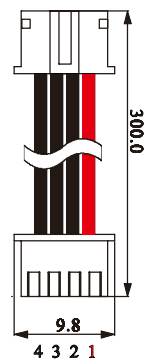
Dimension / Panel cutting



How to order

Module		
Part No	SF20EA551	SF20EA552
Description	Black housing, Black Cap with Marking 1	Black housing, Black Cap with Marking 2

Option



Cable: YCW016

※ Color is subject to actual product.

※ We provide Laser Marking service.