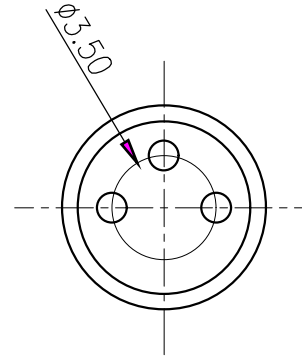
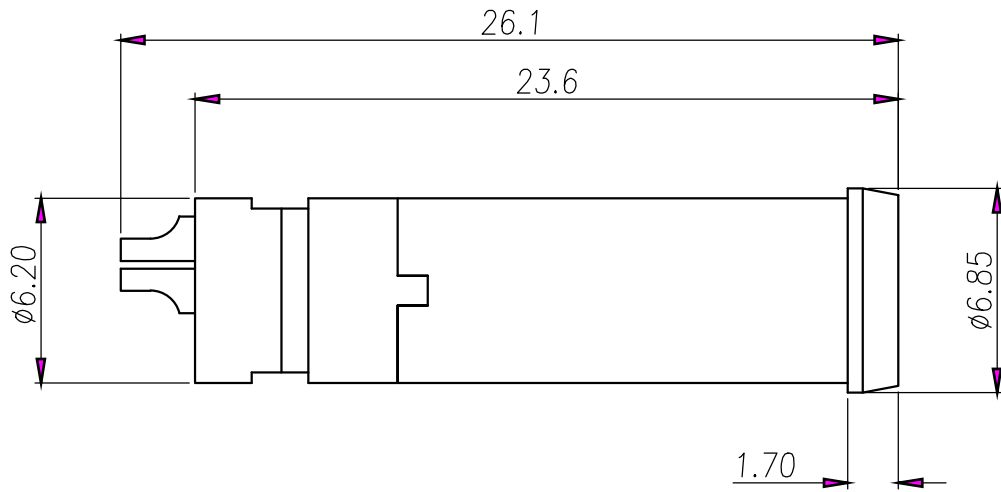


CUSTOMER DRAWING

REV.	DESCRIPTION	APPVL. BY	DATE	ECN NO.
A	RELEASE	Fido Weng	22/12/08*	
B	Add P/N	Fido Weng	06/08/13*	
C				

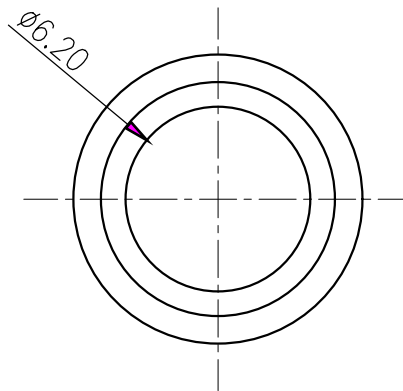
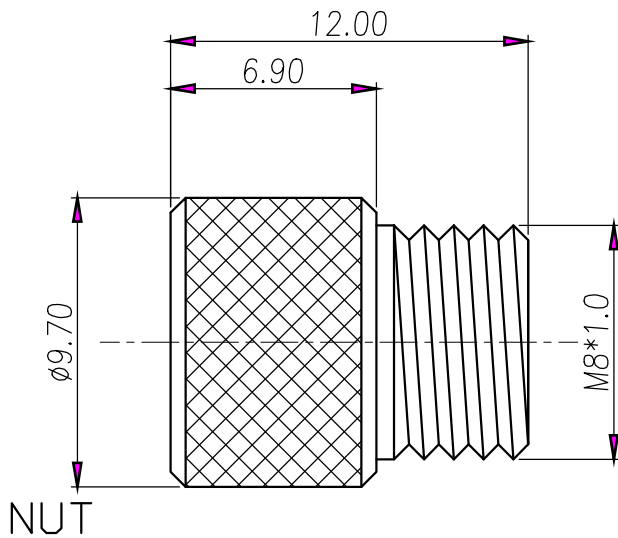


NOTE:

- MATERIAL :
 - 1-1. HOUSING : PBT UL94V-0 ; COLOR : BLACK
 - 1-2. CONTACT : BRASS
 - 1-3. SHELL : BRASS
 - 1-4. NUT : BRASS.
- FINISH :
 - 2-1. CONTACT : GOLD FLASH.
 - 2-2. SHELL : NICKEL PLATED.
 - 2-2. NUT : NICKEL PLATED.
- ELECTRICAL SPECIFICATION :
 - 3-1. Rated current : 5A
 - 3-2. Rated Voltage : 125V
 - 3-3. Water proof: IPX7
- Environmental :
 - 4-1. Operation Temperature : -40 °C~85°C

TABLE A

TWP-S04M2-86-11	TWP-S03M2-32	TWP-S02M2-25-11



DRAW	Ku Chou	APPVL	Emily Suen	UNIT	mm	TOLERANCE
CHECK	Emily Suen			SCALE	1:1	.x ±0.20 .xx ±0.10 .xxx ±0.05 .xxxx ±0.03 ANGULA ±1°



泰立電子有限公司

TACLEX ELECTRONICS CO., LTD.

TITLE	M8 (M) 加長型焊線式		SHEET
PART NO.	SEE TABLE A	DWG NO.	QC5874
			VERSION B