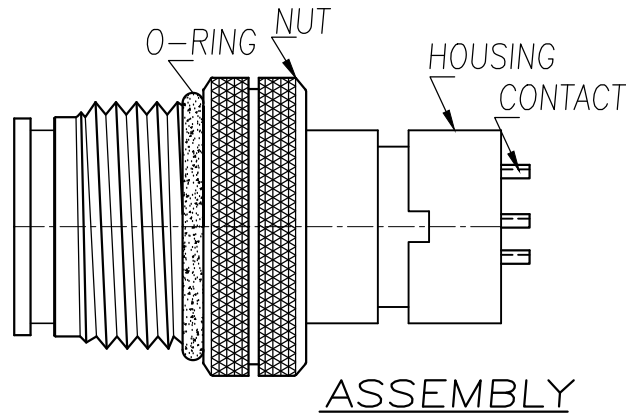
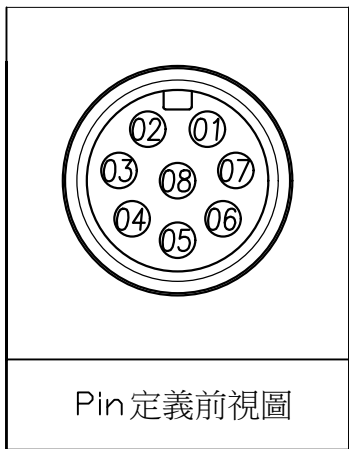
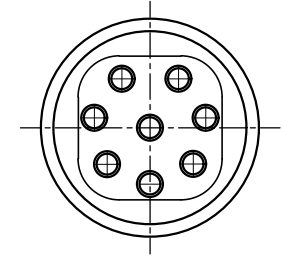
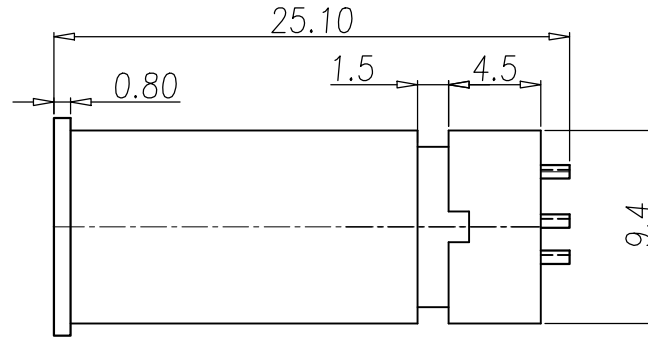
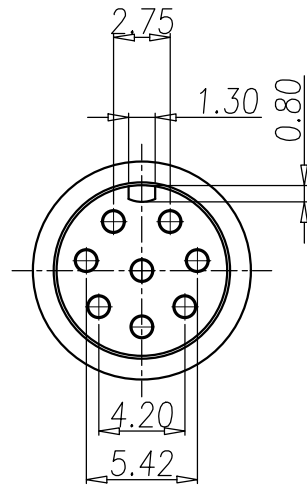
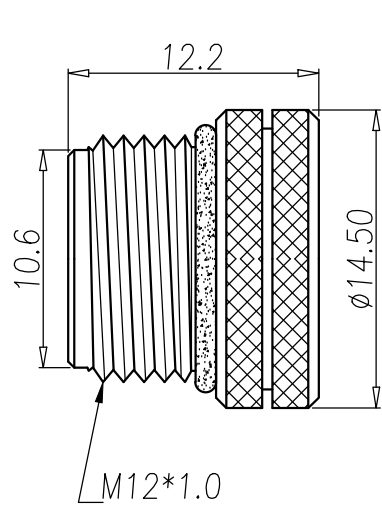


CUSTOMER DRAWING

REV.	DESCRIPTION	APPVL. BY	DATE	ECN NO.
△	ADD TABLE A	Fido Weng	31/12/08'	ECN-08023
△	Add New Color Housing and Part No.	Fido Weng	11/15/12'	
△				



- MATERIAL :
  - 1-1. HOUSING : PBT UL94V-0;COLOR: BLACK
  - 1-2. CONTACT : BRASS
  - 1-3. NUT : BRASS
  - 1-4. O-RING : EPDM; COLOR : BLACK
  - 1-5. Epoxy Base : EF400A&EF400B.COLOR:BLACK
- FINISH :
  - 2-1. CONTACT : 10 MICRO INCHES MIN. GOLD PLATED  
UNDER PLATE : NICKEL
  - 2-2. NUT : SEE TABLE A
- ELECTRICAL SPECIFICATION :
  - 3-1. Rated current : 5A
  - 3-2. Voltage :125V
  - 3-3. Water proof: IPX7
- Environmental :
  - 4-1. Operation Temperature : -40 ℃~85℃

TABLE A

TWP-S08M2-10	BLACK NICKEL
TWP-S08M2-04	NICKEL 60u" ~ 100u"

DRAW	Hulk Zhang	APPVL	Fido Weng	UNIT	mm	TOLERANCE	泰立電子有限公司		TITLE	防水類 8 PIN (M)			SHEET
CHECK	Emily Suen			SCALE	1:1	.x ±0.20 .xx ±0.10 .xxx ±0.05 .xxxx ±0.03 ANGULA ±1°	TACLEX ELECTRONICS CO., LTD.		PART NO.	SEE TABLE A	DWG NO.	QC3050	VERSION D