

# KPB22-XXXX-XXX-XX-JX

MATERIAL:  
 BEZEL: PC.  
 BASE: PBT(UL 94-V0) , PC(UL 94-V2)  
 ACTUATOR: PC ; POM.  
 INNER ASSEMBLY: POM./PA66.  
 SPRING: Stainless steel.  
 SEALING: Sillicone.  
 O-Ring:Sillicone.  
 TERMINAL: Brass ,Silver plated.  
 HEX NUT: PC.  
 RoHS

Bezel Color  
**8 Silver**

Actuator Type

8P1	Silver Actuator+White power ,below all LED color available
8P2	Silver Actuator+Black power ,Non-LED
8P3	Silver Actuator+Red power ,LED in red only
8P6	Silver Actuator+Green power ,LED in Green only
8P7	Silver Actuator+Biue power ,LED in Blue only

Button type  
**F Flat**

Contact Configuration

1	1NO 1NC
2	2NO 2NC

Operating type

0	Momentary
1	LOCK

LED color

0	Without LED
1	White
3	Red
5	Yellow
6	Green
7	Blue

LED voltage

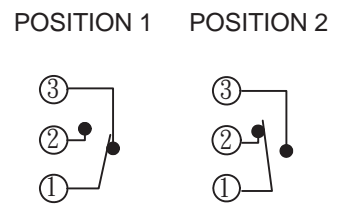
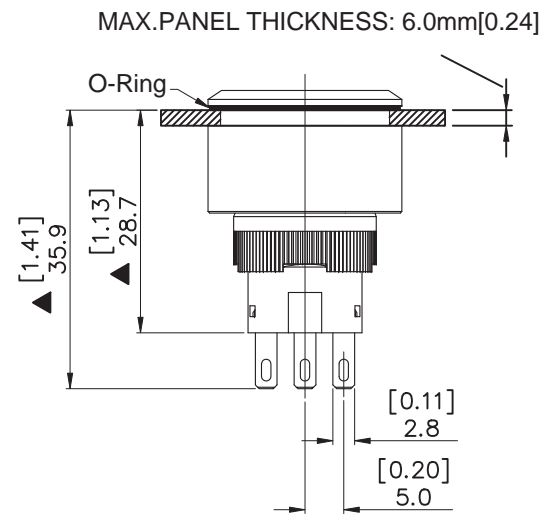
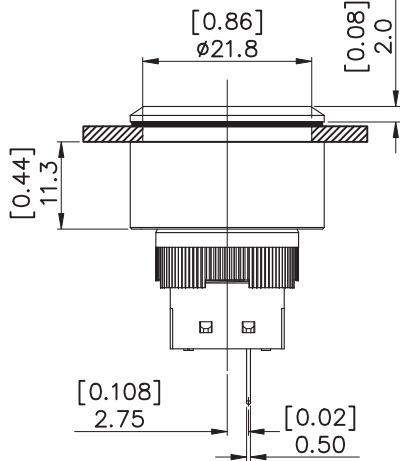
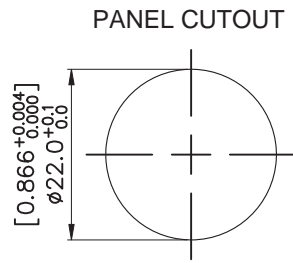
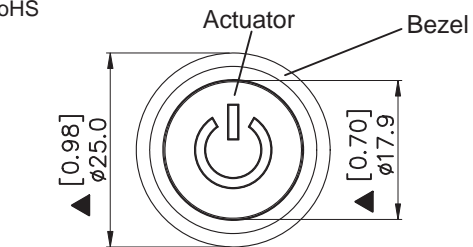
0	Without LED or resistor
3	3V
6	6V
12	12V
24	24V
36	36V
110	110V
220	220V

Terminal plating

Q	Silver
R	Gold

Terminal shape

J	Solder Terminal
---	-----------------



## SPECIFICATIONS

- CONTACT MATERIAL: SILVER.
- RATING: 1th 5A/250VAC. resistive load 3A/250VAC.
- ELECTRICAL LIFE: 50,000 MAKE-AND-BREAK CYCLES AT FULL LOAD.
- MECHANICAL LIFE: Momentary 1,000,000.
- INSULATION RESISTANCE: 1,000MΩ MIN AT 500VDC.
- DELECTRIC STRENGTH: 2,000V RMS@sea level.
- CONTACT RESISTANCE: 50mΩ MAX. @1A 12VDC(initial value).
- OPERATING TEMPERATURE: -20°C to 55°C .
- TRAVEL: ABOUT 3.2mm.
- OPERATION PRESSURE: 2.5±1N.
- INGRESS PROTECTION: IP65.
- TORQUE: 1~3Nm.



符號	原尺寸	修改後尺寸	變更日期
1 (A)			
2 (B)			
3 (C)			
4 (D)			
5 (E)			

SCALE(比例): 1:1

TOLERANCE(公差):  
 0.00 mm ± 0.25mm  
 0.0 mm ± 0.40mm  
 ANGULAR: ± 2°  
 FILE NAME : KPB22-0052

TITLE 圖名	ILLUMINATED PUSHBUTTON SWITCHES	SIZE 圖紙	A4
DWG NO. 圖號	KPB22-88P2-F10-00-JQ	UNIT 單位	inch mm
REV. 版本	A	DATE 日期	JAN - 23 - 2018
CHECKED BY 審核	簡光萬	DRAWN BY 製圖	IRENE
		SHEET 張數	1 of 1