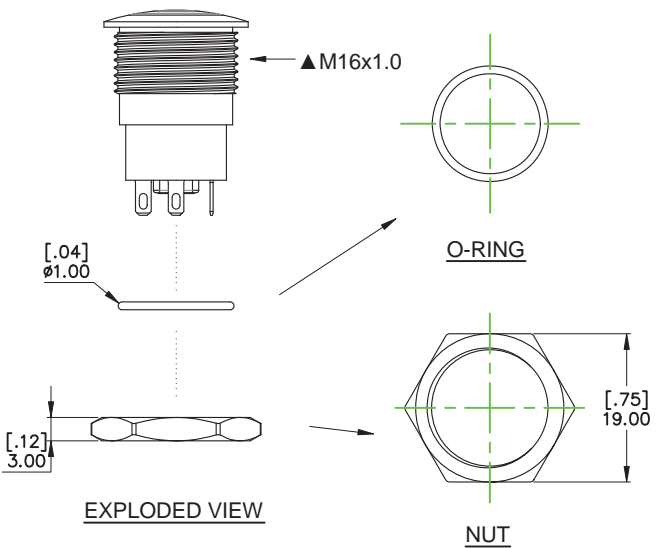
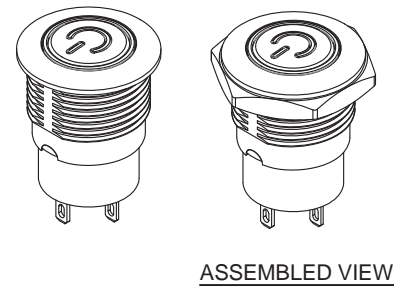
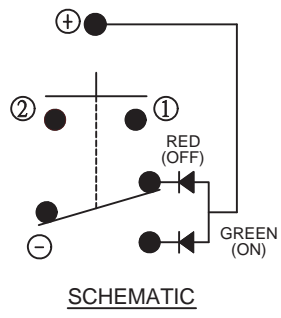
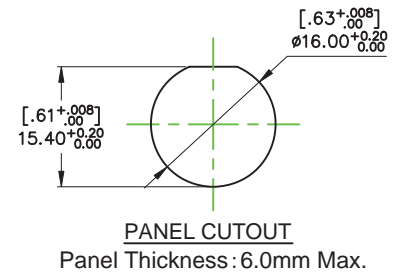
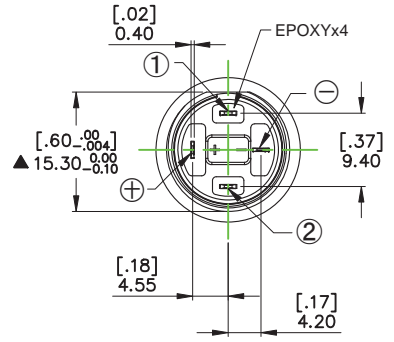
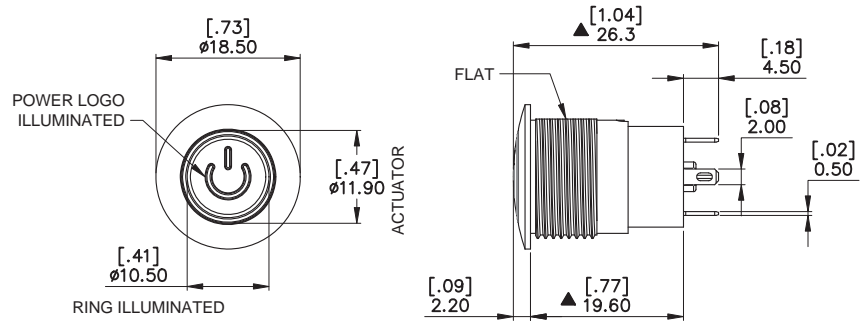


MPB16L-XXXX-XX-JR-XV



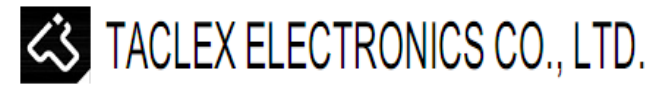
MATERIAL

Bushing : Aluminum alloy, Anodized.
 Base : Nylon 6/6
 Actuator : POM
 Cap : PC, Aluminum alloy, Anodized.
 Spring : Steel.
 Sealing : Silicone.
 O-ring : Silicone.
 Nut : Brass (Nickel Plated).
 Terminal : Brass, Coin silver, Gold flash plated.
 Contact : Brass, Coin silver, Gold flash plated.

Operating Type		Accessories	
L	Lock Cap reversion	Resistance (About LED Voltage)	
Body type & color		3V LED Input Voltage 3VDC (Without Resistance)	
CA	AL alloy Natural Anodized	Terminal plating	
CB	AL alloy Black Anodized	R Gold Flash	
Button type		Terminal shape	
R ROUND		J Solder terminal	
Light type		LED color	
P POWER LOGO		XX (OFF/ON)	
		36 Red/Green	
		※OFF(Red);ON(Green) Ex:36	

Specifications :

- Rating : 2A/36VDC.
- Electrical Life : 100,000 Make-And-Break Cycles At Full Load.
- Insulation Resistance : 1,000MΩ Min. at 500VDC.
- Dielectric Strength : 2,000V RMS@sea level.
- Contact Resistance : 50mΩMax. @1A/12VDC(initial value).
- Operation Temperature : -20~+70°C.
- Operation Pressure : 4.5±1.5N.
- Travel : About 2.3mm.
- Ingress Protection : IP67.
- Torque : 11.5 kgf · cm.
- Current limiting resistor is required to limit LED forward current to 20mA.
- CAP Keeps same high.
13. Push-OFF, LED Red light, Push-ON, LED Green light (Latching)



符號	原尺寸	修改後尺寸	變更日期
1 (A)			
2 (B)			
3 (C)			
4 (D)			
5 (E)			

SCALE(比例) : 1:1

TOLERANCE(公差):
 0.00 mm ± 0.25mm
 0.0 mm ± 0.40mm
 ANGULAR: ± 5°

FILE NAME : MPB16L-0060

TITLE 圖名		MPB16-LOCK Metal Pushbutton Switch		SIZE 圖紙	A4
DWG NO. 圖號		MPB16L-CARP-36-JR-3V		UNIT 單位	inch mm
REV. 版本	A	DATE 日期	APR - 18 - 2018	SHEET 張數	1 of 1
CHECKED BY 審核	DRAWN BY 製圖		IRENE		