

Specifications :

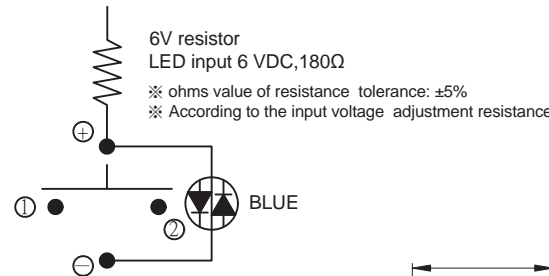
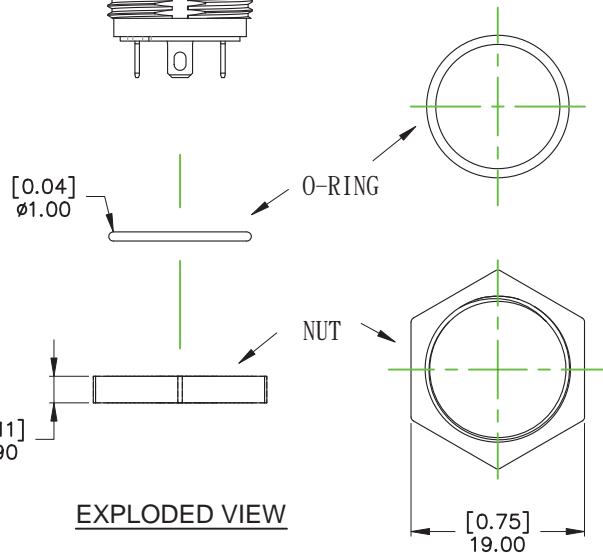
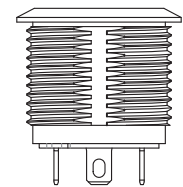
1. Rating : 2A/36VDC.
2. Electrical Life : 200,000 make-and-break cycles at full load.
3. Mechanical Life : 1,000,000 Cycles.
4. Insulation Resistance : 1,000MΩ Min. at 500VDC.
5. Dielectric Strength : 2,000V RMS@sea level.
6. Contact Resistance : 50mΩMax. @1A/12VDC(initial value).
7. Operation Temperature : -20~+70°C.
8. Travel : About 2.0mm.
9. Operation Pressure : 4.5N±1.5N. (B)
10. Ingress Protection : IP67.
11. Torque : 11.5 kgf · cm.
12. Current limiting resistor is required to limit LED forward current to 20mA.

MATERIAL :

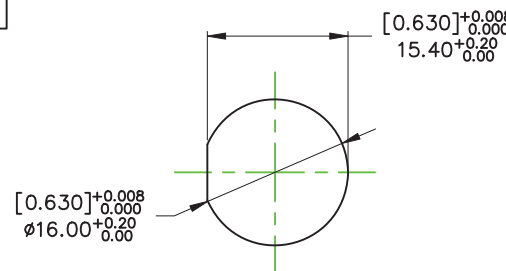
- Bushing : Stainless.
- Base : PBT.
- Actuator : PC.
- Cap : Stainless.
- Spring : Steel.
- Sealing : Silicone(Translucent).
- O-ring : Silicone(Translucent).
- Nut : Brass(Nickel Plated).
- Terminal : Brass,Gold flash plated.
- Contact : Silver alloy.



TACLEX ELECTRONICS CO., LTD.



SCHMATIC



PANEL CUTOUT

THICKNESS:8.0mm[0.315](Max.)

符號	原尺寸	修改後尺寸	變更日期
1 (A)	SPCC	材質修正為BRASS	FEB-07-2017
2 (B)	+55	操作溫度修訂+70	MAR-13-2017
3 (C)			
4 (D)			
5 (E)			

SCALE(比例): 1:1
 TOLERANCE(公差):
 0.00 mm ± 0.25mm
 0.0 mm ± 0.40mm
 ANGULAR:± 5°
 FILE NAME : MPB16-0078

TITLE 圖名	Metal push button switch Ø16 <th>SIZE 圖紙</th> <td>A4</td>			SIZE 圖紙	A4
DWG NO. 圖號	MPB16-A3FP-7-JR-6V			UNIT 單位	inch mm
REV. 版本	C	DATE 日期	JUL - 29 - 2016	SHEET 張數	1 of 1
CHECKED BY 審核	陳燈財		DRAWN BY 製圖	IRENE	