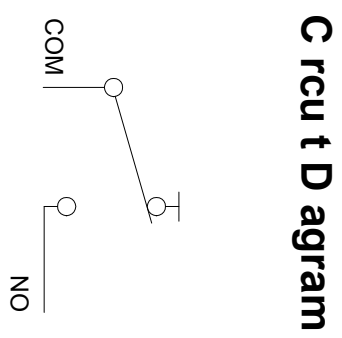
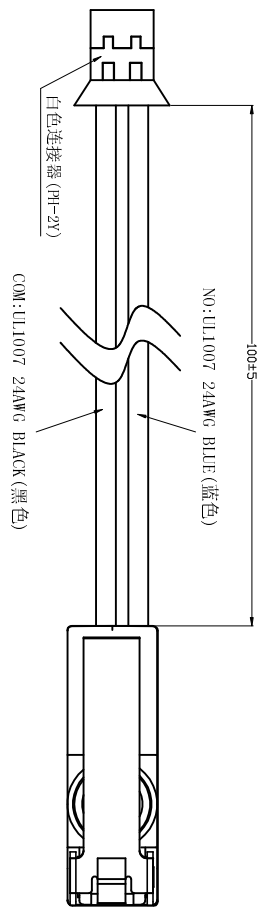
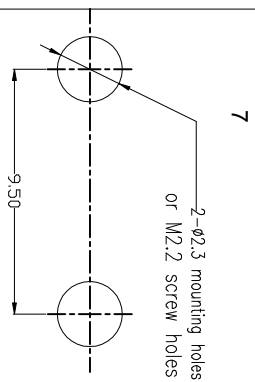
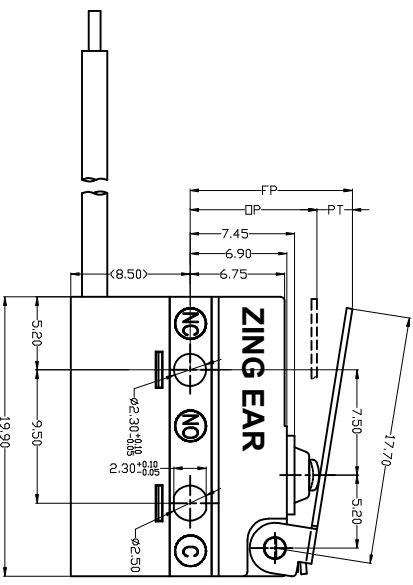
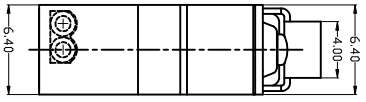
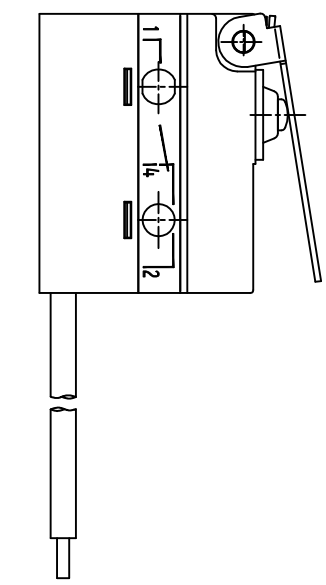


G905-200F01W3-T027



Circuit Diagram



Mounting holes

NOTES:
MOUNTING HOLES WILL ACCEPT Ø2.2 MAX PINS OR SCREWS.

CHARACTERISTICS

Operating Force:	90gf MAX.
Release Force:	15gf MIN.
Operation Position:	8.8±1.2MM.
Pre Travel:	4.3MM MAX.
Differential Travel:	0.7MM MAX.
Over Travel:	0.6MM MIN.
Total Travel:	

ELECTRICAL DATA

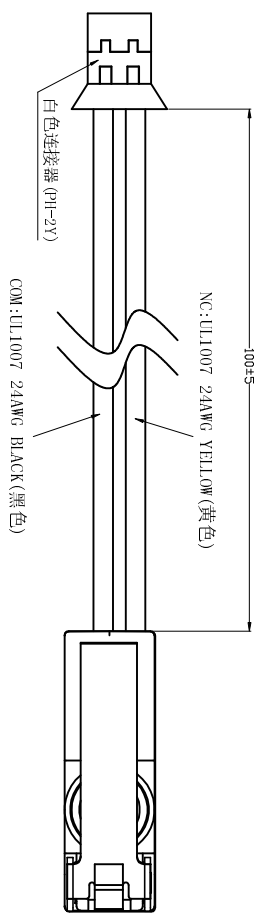
CONTACT ARRANGEMENT	PROTECTION
S.P.S.T-NO	IP6
Rating	
G905	
5A 125/250VAC	
6A 125/250VAC μ 25T120	

REV	REF	DESCRIPTION	DWN.BY	DATE
		G9 SERIES MICRO SWITCH		
		MODEL		
		G905-200F01W3-T02		
		DRAWING		
		Jianteng Luo		
		DATE		
		201-2-15		
		SCALE		
		201-2-15		
		DATE		
		201-2-15		
		DATE		
		201-2-15		

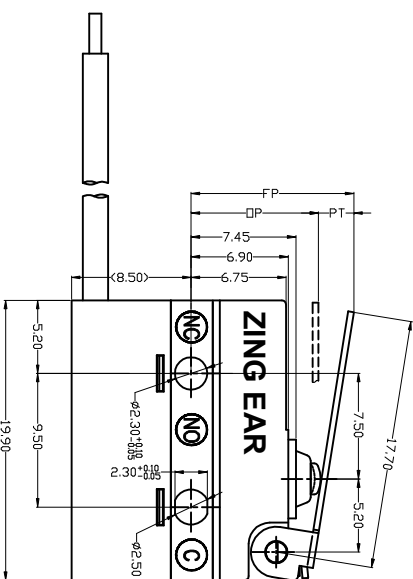
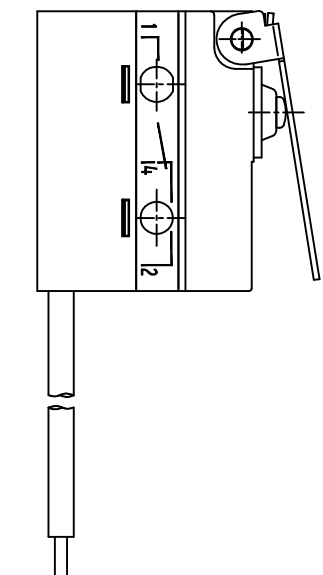
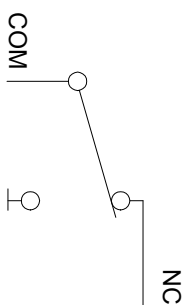
TACLIX ELECTRONICS CO., LTD.

1 2 3 4 5 6 7 8 9 10

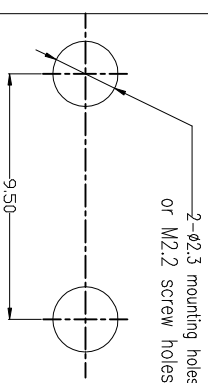
G905-200F01W2-T028



Circuit Diagram



Mounting holes



NOTES:
MOUNTING HOLES WILL ACCEPT Ø2.2 MAX PINS OR SCREWS.

CHARACTERISTICS

Operating Force:	90gf MAX.
Release Force:	15gf MIN.
Operation Position:	8.8±1.2MM.
Pre Travel:	4.3MM MAX.
Differential Travel:	0.7MM MAX.
Over Travel:	0.6MM MIN.
Total Travel:	

ELECTRICAL DATA

CONTACT ARRANGEMENT	PROTECTION
S.P.S.T-NC	IP67
Rating	

G905

5A 125/250VAC

6A 125/250VAC μ25T120



REV	REF	DESCRIPTION	DWN.BY	DATE
		G9 SERIES MICRO SWITCH		
		MODEL G905-200F01W2-T028		
		PART NO. G905-200F01W2-T028		
		TOLERANCES UNLESS OTHERWISE STATED		
		DIMENSION	SCALE	UNIT
		±0.40		mm
		ANGLE		2°

TACLEX ELECTRONICS CO., LTD.