



SPECIFICATIONS

CONTACT RATING: 0.4Volt-Amps(VA) max.@20V max(AC or DC)

MECHANICAL LIFE: 100,000 make-and-break cycles.

ELECTRICAL LIFE: 50,000 cycles.

CONTACT RESISTANCE: 10 mΩ max. initial @ 2-4VDC
100mA for both silver and gold plated contacts.

INSULATION RESISTANCE: 1,000 MΩ min.

DIELECTRIC STRENGTH: 1,000 V RMS@sea level.

OPERATING TEMPERATURE: -30°C to 85°C.

GENERAL SPECIFICATIONS

TORQUE: 0.8Nm max. applied to unt.

PANEL THICKNESS: 6mm max. .2mm min.



MATERIALS

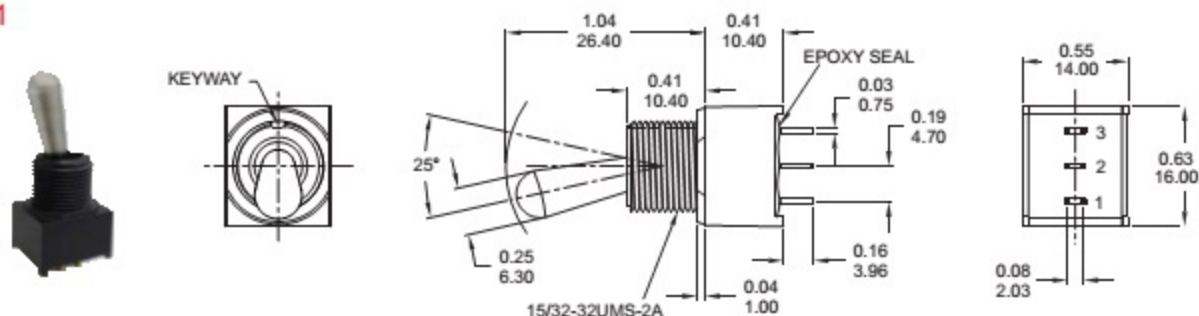
CASE & BUSHING: Glass filled nylon 6/6, flame retardant, heat stabilized (UL94v-0).**ACTUATOR:** Brass, chrome plated with internal, O-ring seal standard.**SWITCH SUPPORT:** Brass or steel, tin plated.**CONTACT / TERMINALS:** Copper alloy, gold plated.**SEALIND:** IP67.IP 67
ACCORDING TO
IEC 60529 (UL 50
STD. E609)

SWITCH FUNCTION

NO. POLES	MODEL NO.	SWITCH FUNCTION			CONNECTED TERMINALS / SCHEMATIC		
		POS.1	POS.2	POS.3	POS.1	POS.2	POS.3
SP	1AS1	ON	NONE	ON	2-3 	N/A	2-1
	1AS2	ON	NONE	MOM			
	1AS3	ON	OFF	ON			
	1AS4	MOM	OFF	MOM	2-3 	OPEN	2-1
	1AS5	ON	OFF	MOM			
	1AS9	ON	NONE	OFF	2-3	N/A	OPEN
	1ASD	MOM	NONE	OFF			

MOM=MOMENTARY

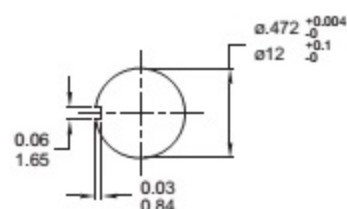
M1



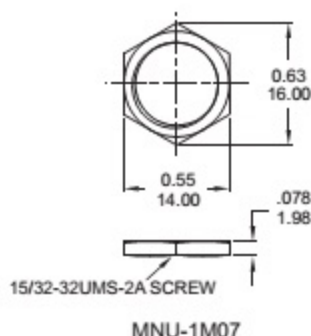
Part No. Shown : 1AS1T8B22M1RPES

PANEL MOUNTING / HARDWARE

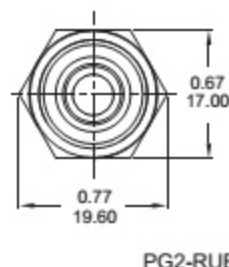
PANEL MOUNTING



NUT



SEALING BOOTS



PG2-RUBBER-HOOD