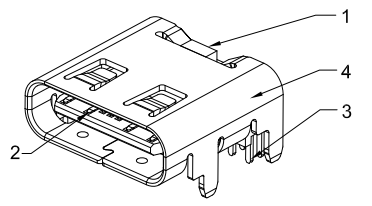
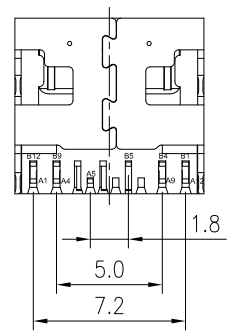
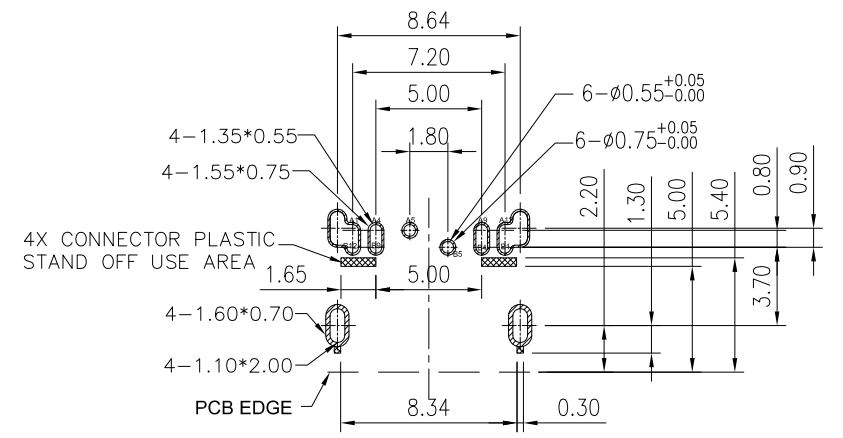
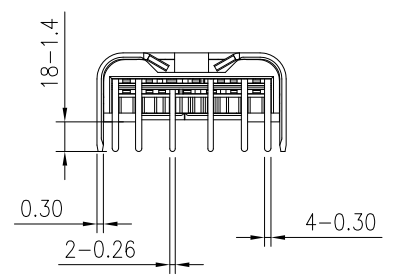
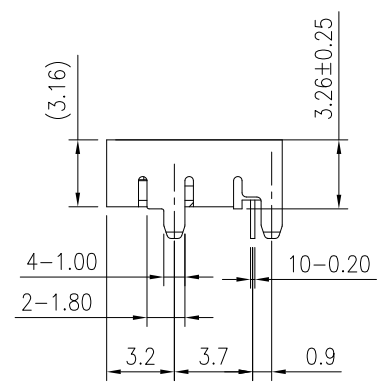
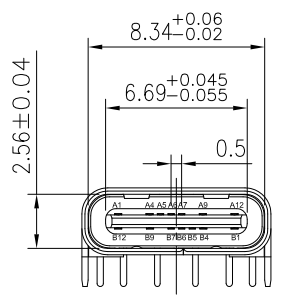
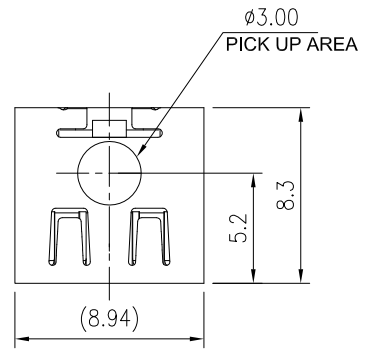


PART NO : TUA - S90H2 B - L M P S - TR

Series →
 Type →
 Color →
 B : Black

Shell Plated
 S : Nickel
 Version
 P : Pd-Nickel + Gold Flash
 Material
 L : High-Thermoplastic



RECOMMENDED PCB LAYOUT
 TOP VIEW
 TOLERANCE: ±0.05mm
 PCB THICKNESS: 1.00±0.05mm

A5	B5	CC1	CC2	Configuration Channel
A4	A9	B4	B9	VBUS Bus Power
A1	A12	B1	B12	GND Ground return
Pin	Signal Name	Description		

NO.	NAME	MATERIAL	FINISH
1	HOUSING	HIGH THERMOPLASTIC	
2	TOP TERMINAL	COPPER ALLOY	Pd-Nickel + Gold Flash & MATTE TIN PLATED
3	BOTTOM TERMINAL	COPPER ALLOY	Pd-Nickel + Gold Flash & MATTE TIN PLATED
4	SHELL	ALLOY	NICKEL PLATED

TACLEX TACLEX ELECTRONICS CO., LTD.

TOLERANCES UNLESS OTHERWISE SPECIFIED LINEAR: ±0.30 ANGULAR: ±3°		SIGNATURES		DATE	TITLE
REVISIONS		DRAWN	Plum Li	2015.12.30	USB TYPE C FOR POWER 2.0+
A		CHK'D	Eric	2015.12.30	NO.
		APPV'D	Rex	2015.12.30	TUA-S90H2

△			
△			
△			
△			
△			
SYM	DISCIPTION	DATE	APPROVED
1			
2			
3			