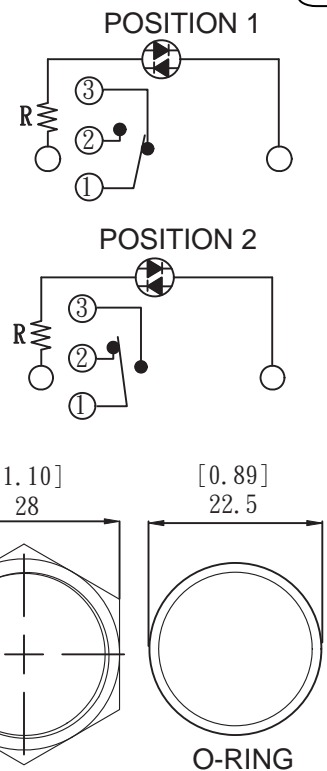
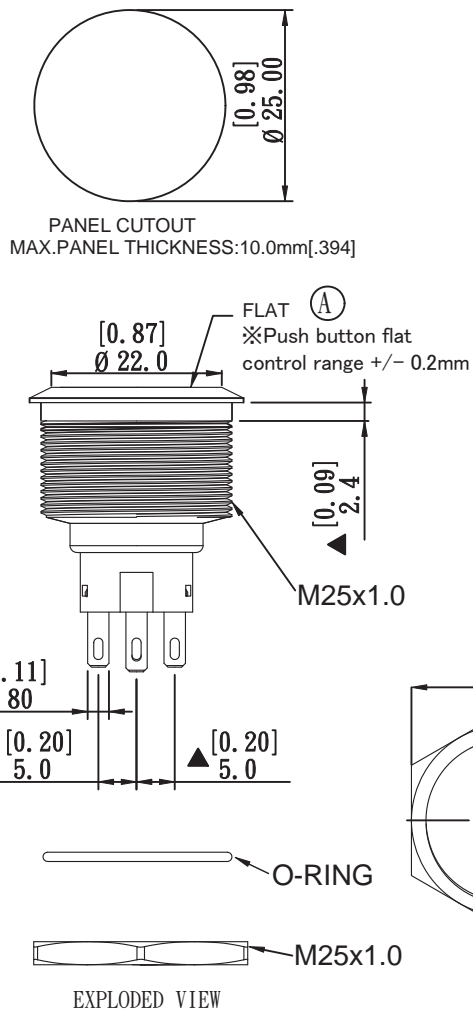
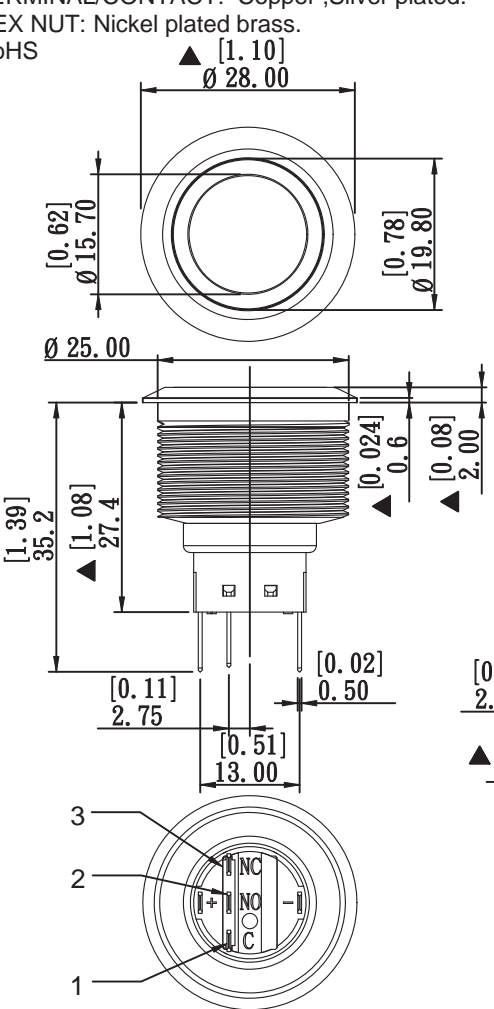
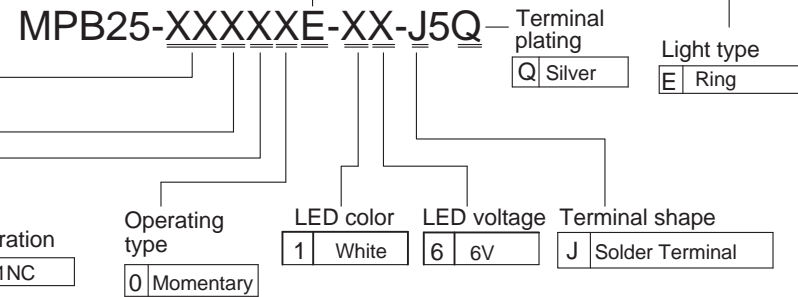
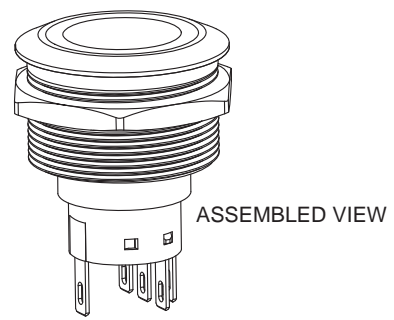


MATERIAL:
 BUSHING: Stainless Steel.
 BASE: PBT(UL 94-V0) , PC(UL 94-V2)
 ACTUATOR: PC ; Stainless Steel.
 INNER ASSEMBLY: POM./PA66.
 SPRING: Spring steel.
 SEALING: Sillicone.
 O-Ring:Sillicone.
 TERMINAL/CONTACT: Copper ,Silver plated.
 HEX NUT: Nickel plated brass.
 RoHS



本公司智慧財產，未經同意不得複製



- SPECIFICATIONS**
- CONTACT MATERIAL: SILVER.
 - RATING: lth 5A/250VAC. resistive load 3A/250VAC.
 - ELECTRICAL LIFE: 50,000 MAKE-AND-BREAK CYCLES AT FULL LOAD.
 - MECHANICAL LIFE: Momentary 1,000,000.
 - INSULATION RESISTANCE: 1,000MΩ MIN AT 500VDC.
 - DELECTRIC STRENGTH: 2,000V RMS@sea level.
 - CONTACT RESISTANCE: 50mΩ MAX. @1A 12VDC(initial value).
 - OPERATING TEMPERATURE: -20°C to 55°C .
 - TRAVEL: ABOUT 3.2mm.
 - OPERATION PRESSURE: 2.5±1N.
 - INGRESS PROTECTION: IP67,IK10.
 - TORQUE: 5~14Nm.

TITLE 圖名	METAL PUSHBUTTON SWITCH			SIZE 圖紙	A4
DWG NO. 圖號	MPB25-A0F10E-16-J5Q			UNIT 單位	inch mm
REV. 版本	B	DATE 日期	JUL - 14 - 2015	SHEET 張數	1 of 1
CHECKED BY 審核	RICHARD		DRAWN BY 製圖	研發工程師 簡光萬	

符號	原尺寸	修改後尺寸	變更日期
1	(A)	增加說明	SEP-21-2015
2	(B)		
3	(C)		
4	(D)		
5	(E)		

SCALE (比例): 1:1

TOLERANCE (公差):
 0.00 mm ± 0.25mm
 0.0 mm ± 0.40mm
 ANGULAR: ±2°
 FILE NAME : MPB25-0001