

# TACLEX ELECTRONICS CO., LTD.

## Multi-function encoder Switches Series **SF39EA / SF39EB**

*Functional . High texture . Convenience*

- Encoder
- Tactile Switch
- Rotary
- LED illuminated
- Easy to install
- Metal
- Marking service



### *Application*

Public building · Home Security · Business building · Industrial equipment ·  
Audio · 3D Printer · LED lighting. ..etc.



# TACLEX ELECTRONICS CO., LTD.

## Multi-function encoder Switches Series **SF39EA / SF39EB**

### General Specifications

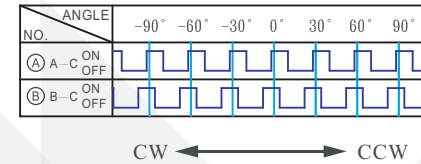
Current Rating	:1 mA
Voltage Rating	:10 VDC
Dielectric Withstanding Voltage	:250VAC for 1 minute
Contact Resistance	:300m Ohm Max.(initial)
Insulation Resistance	:100M Ohm Min.
Operating Force	:Rotation Max. 60gf-cm Push Max. 220gf±50gf
Operating Life	:Rotation - Min. 200,000 operations (C.W. 100,000 & C.C.W 100,000) Push - Min. 1,000,000 operations
Operating Frequency	:Rotation - Max. 30 operations per minute Push -Max. 120 operations per minute
Operating Temperature	:0deg.~+40 deg.
Materials	
Rotary Cap	:Polyamide (PA)
Push Cap	:Polycarbonate (PC)
Housing	:Aluminum
Nuts	:Aluminum
Base	:Polyamide(PA)
Connector	:PA , Brass with Tin plating

### Contact Configuration

Push



Rotation



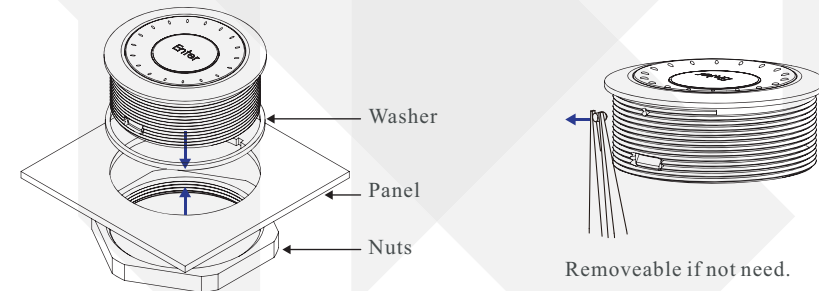
Pin	Function
L+	LED(+)
L-	LED (-)
A	A-Com ON/OFF
B	B-Com ON/OFF
NO	SW N.O.
COM	SW COM.

Numbers of detent : 24

Pulse / Rotation : 12 pulse / 360°

The Connector for SF39EA module  
similar JST B6B-PH-K-A  
Applicable Connector:  
Conductor pitch / 2.0mm  
Conductor pitch / 2.0mm  
Conductor width /φ0.5mm

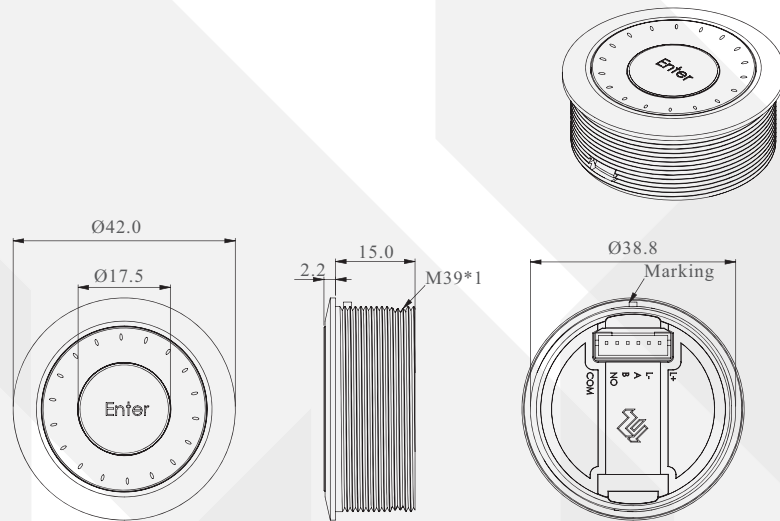
### Installation Notes



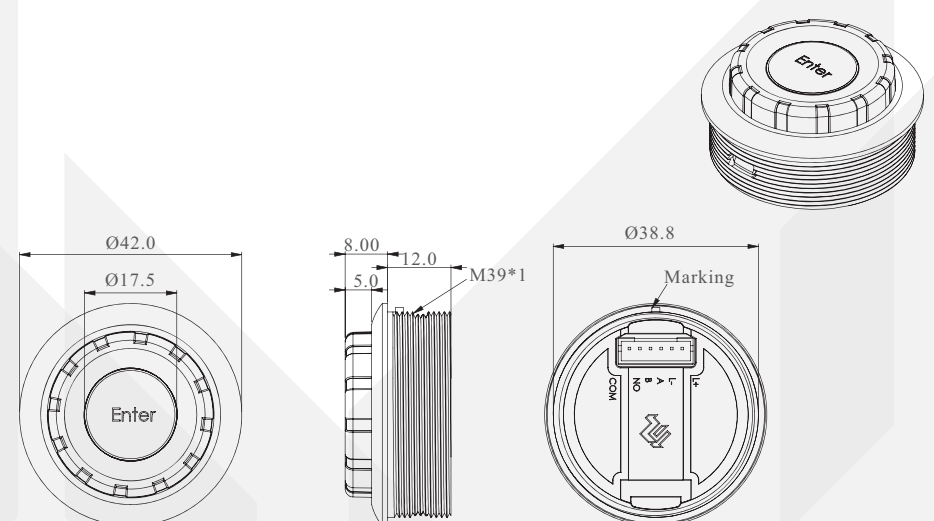
# TACLEX ELECTRONICS CO., LTD.

## Multi-function encoder Switches Series **SF39EA / SF39EB**

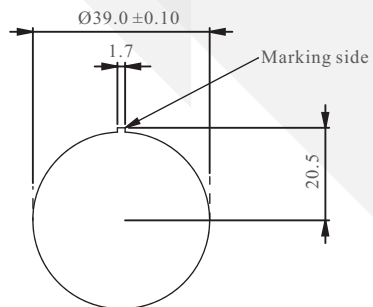
### Dimension SF39EA



### Dimension SF39EB



### Panel Cutting



Panel thickness 1.5~4mm

# TACLEX ELECTRONICS CO., LTD.

## Multi-function encoder Switches Series SF39EA / SF39EB

### How to Order

<b>Module</b>							
<b>Navigation Part No</b>	SF39EA5051A	SF39EA7052A	SF39EA5553A	SF39EA7554A	SF39EB5053A	SF39EB7052A	SF39EB5551A
<b>Description</b>	Pure Green LED white Housing Black cap(Push) Enter marking Silver rotroy cap	Blue LED white Housing Black cap(Push) Enter (Sign) marking Silver rotroy cap	Pure Green LED Black Housing Black cap(Push) Power (Sign) marking Silver rotroy cap	Blue LED Black Housing Black cap(Push) OK marking Silver rotroy cap	Pure Green LED white Housing Black cap(Push) Power (Sign) marking Silver rotroy cap	Blue LED white Housing Black cap(Push) Enter(Sign) marking Silver rotroy cap	Pure Green LED Black Housing Black cap(Push) Enter marking Silver rotroy cap

※ Whole set standard package include Switch body\*1, Washer(YWA004)\*1, Nut(YSC011)\*1, Connector(YCN016)\*1

Color is subject to actual product.

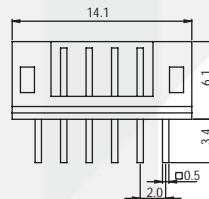
### Option



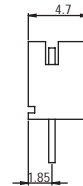
Washer: YWA004



Nut: YSC011



Connector: YCN016



Cable: YCW013

