



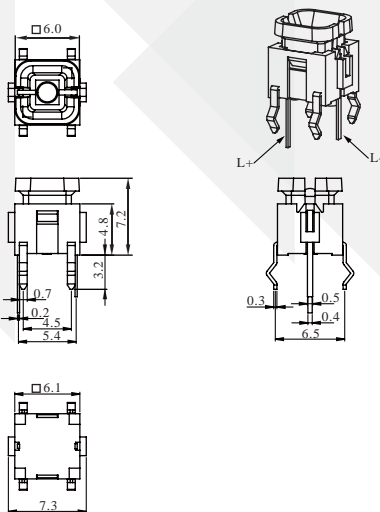
Tactile Switches Series ZTSN



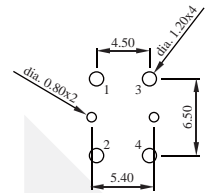
General Specifications

Circuit	:SPST
Current Rating	:50mA
Voltage Rating	:12VDC
Dielectric Withstanding Voltage	:250VAC for 1 minute
Contact Resistance	:100m Ohm Max.(initial)
Insulation Resistance	:100M Ohm Min.
Operating Force	:200gf+50gf
Total Travel	:0.25mm+0.2mm
Operating Life	:100,000 cycles Min.
Solder Specifications	:260 deg. for 3 seconds
Function	:Momentary
Operating Temperature	: -10 deg.~+60 deg.
Materials	
Cap	:Polycarbonate (PC)
Housing	:Polyamide (PA)
Stem	:Polybutylene terephthalate (PBT)
Base	:Polyamide(PA)
Terminal	:Brass with silver plating
Action Dome	:SUS 301 with gold plating

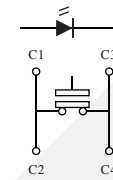
Dimension



PCB Mounting Holes & Circuit Diagram



P.C.B. Mounting Holes



Circuit Diagram

How to Order

ZTSN

LED Color	
0	Without LED
1	Red
2	Yellow
3	Green
4	White
5	Pure Green
7	Blue

EXAMPLE : ZTSN7YCA0434

SMART  
CAP

6  
C04

9  
6  
A01

9  
C07

12  
6  
A01

12  
C13