

Application

Industrial remote controller
 Medical / Communication
 適用於工控產品/醫療/通訊

SPECIFICATIONS

Rating : 1th 5A/250VAC resistive load 3A/250VAC
 Contact Resistance : 50 mΩ max. @ 1A 12VDC
 (initial value)

Insulation Resistance : 1,000 MΩ min. at 500VDC
 Dielectric Strength : 2,000V RMS @ sea level
 Operation Temperature : -20°C to 55°C

Mechanical Life : Momentary 1,000,000 cycles
 Self-lock 500,000 cycles

Electrical Life : 50,000 make-and-break cycles
 at full load

Torque : 5~14Nm

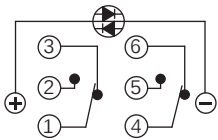
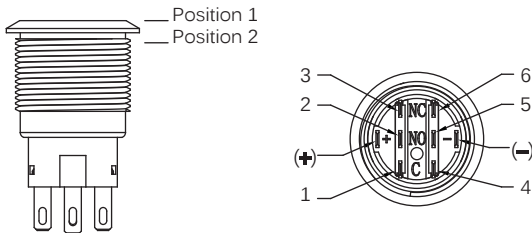
Panel Thickness : 10mm (Ø19.20mm)

Operation Pressure : 1Pole 1.5~2.5N
 2Poles 2.2~3.5N

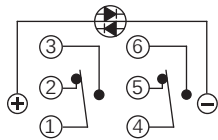
Travel : About 3.2mm

Ingress protection : IP67, IK10(Stainless)

CONTACT CONFIGURATION



POSITION 1



POSITION 2

LIGHT TYPE



Mounting hole size: Ø19mm
 Contact configuration: 1NO 1NC / 2NO 2NC
 Operating type: Momentary / Self-locking
 Light type: Without LED



Mounting hole size: Ø19mm
 Contact configuration: 1NO 1NC / 2NO 2NC
 Operating type: Momentary / Self-locking
 Light type: Ring Illuminated (Fixed)



Mounting hole size: Ø19mm
 Contact configuration: 1NO 1NC / 2NO 2NC
 Operating type: Momentary / Self-locking
 Light type: Spot



Mounting hole size: Ø19mm
 Contact configuration: 1NO 1NC / 2NO 2NC
 Operating type: Momentary / Self-locking
 Light type: Power logo

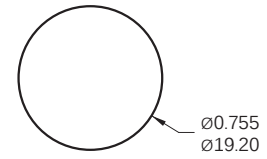
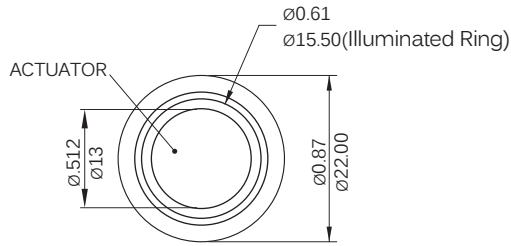


Mounting hole size: Ø19mm
 Contact configuration: 1NO 1NC / 2NO 2NC
 Operating type: Momentary / Self-locking
 Light type: Ring Illuminated (Moveable)

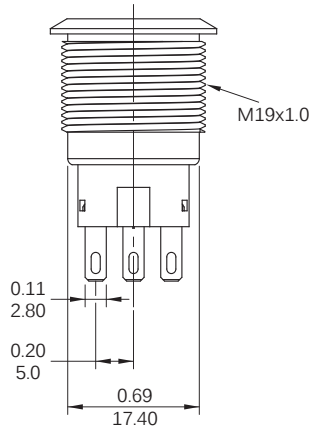
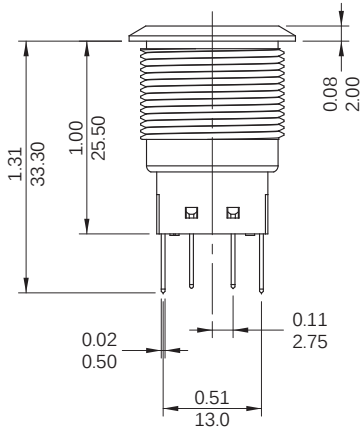


Material	Contact	Silver
	Bushing	Stainless steel
	Actuator	PC (UL 94-V2) ; Stainless steel
	Base	PBT (UL 94-V0)
LED Parameter	LED Type	R / D / P / E
	Rated Voltage	3V / 6V / 12V / 24 / 110V / 220V
	LED Color	White / Red / Yellow / Green / Blue

DIMENSION



PANEL CUTOUT
MAX.PANEL THICKNESS: 10.0mm[0.39]



Hardware

M19 Nut	O-Ring

Light type

Without LED	Ring (Fixed)	Spot	Power logo	Ring (Moveable)

HOW TO ORDER

MPB19 - - -

Body type

- A Stainless
- B Brass
- C Al alloy

Body color

- 0 Natural SUS
- 1 Mirror Chrome Plated
- 2 Nickel Plated
- 3 Black Anodized

Button type

- F Flat

Contact Configuration

- 1 1NO 1NC
- 2 2NO 2NC

Operating type

- 0 Momentary
- 1 Lock

Terminal plating

- Q Silver
- R Gold

Terminal shape

- J Solder Terminal

LED voltage

- 0 Without LED
- 3 3V
- 6 6V
- 12 12V
- 24 24V
- 110 110V
- 220 220V

LED color

- 0 Without LED
- 1 White
- 3 Red
- 5 Yellow
- 6 Green
- 7 Blue

Light type

- 0 Without LED
- R Ring (Fixed)
- D Spot
- P Power logo
- E Ring (Moveable)