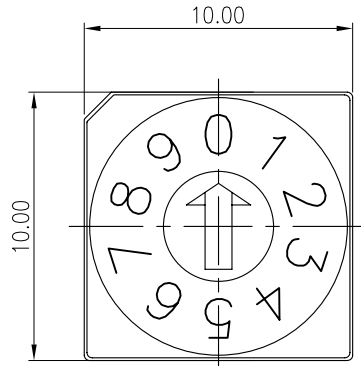
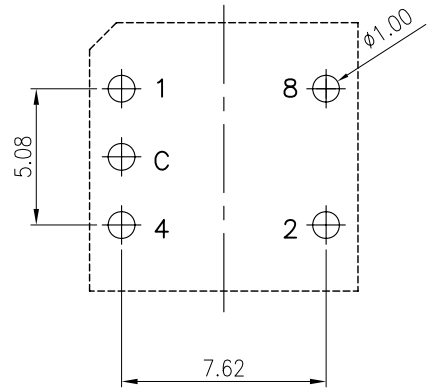
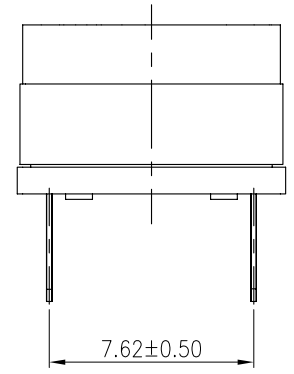
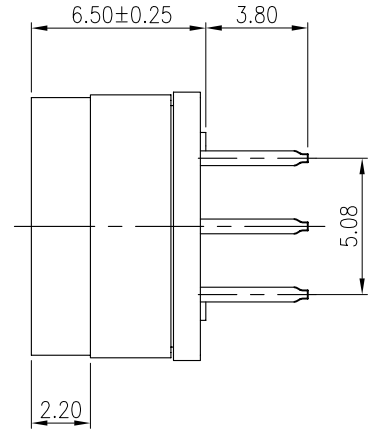


RBH2-16R



RBH2-10R



P.C.B. LAYOUT

NOTE:

1.GENERAL TOLERANCES MAX.±0.20mm.

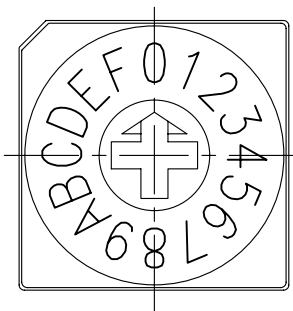
SPECIFICATIONS

- 1.RATING : NON SWITCHING RATING 24VDC 400mA
SWITCHING RATING 24VDC 150mA
- 2.LIFF : 10,000 STEPS
- 3.OPERATING FORCE : 400gf·cm Max.
- 4.INITIAL CONTACT RESISTANCE : 100mOhm Max.
- 5.DIELECTRIC STRENGTH : AC 250V 1 MINUTE
- 6.INSULATION RESISTANCE : 100MOhm Min.
(DC 250V MEGGER)
- 7.OPERATING TEMPERATURE : -60°C TO 125°C

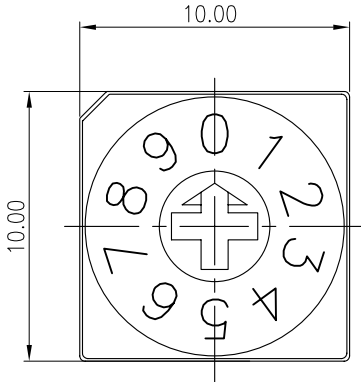
TYPE	CIRCUIT CHARACTERISTICS															
	CODE	POSITION ●ON														
RBH2-10R	1	●		●		●		●		●						
	2		●		●		●		●							
	4				●	●	●	●								
	8									●	●					
RBH2-16R	1	●		●		●		●		●		●		●		●
	2		●		●		●		●			●		●		●
	4				●	●	●	●				●	●	●	●	●
	8									●	●	●	●	●	●	●

△				
△				
△				
△	A	DWG REL.	2014.07.14	邱明義
ZONE	REV.	DESCRIPTION	DATE	APPD.

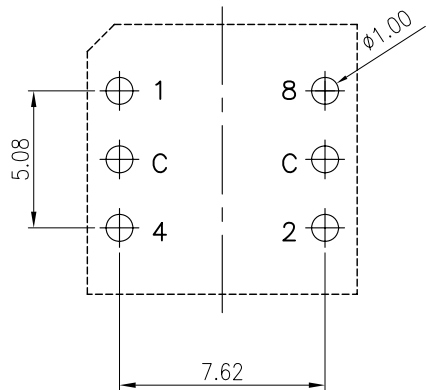
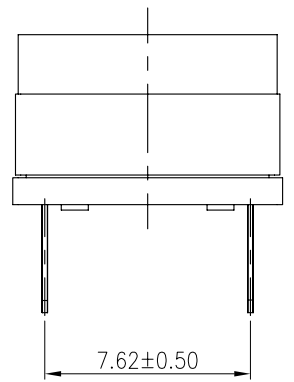
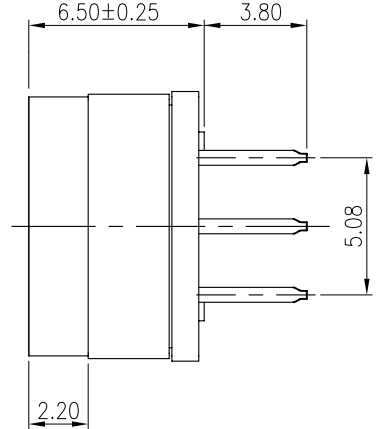
APPD: 邱明義	QTY:	TACLEX ELECTRONICS CO., LTD.	PART NAME:
CHKD: 邱明義	SCALE: 5:1		ROTARY SWITCH
DR: LARRY	REV: A	PART NO: RBH2-10RBV	MAT'L:
DESIGN: LARRY	UNITS: mm	FINISH:	DWG NO: RD12PBF



RBH3-16R



RBH3-10R



P.C.B. LAYOUT

NOTE:

1.GENERAL TOLERANCES MAX.±0.20mm.

SPECIFICATIONS

- 1.RATING : NON SWITCHING RATING 24VDC 400mA
SWITCHING RATING 24VDC 150mA
- 2.LIFF : 10,000 STEPS
- 3.OPERATING FORCE : 400gf·cm Max.
- 4.INITIAL CONTACT RESISTANCE : 100mOhm Max.
- 5.DIELECTRIC STRENGTH : AC 250V 1 MINUTE
- 6.INSULATION RESISTANCE : 100MOhm Min.
(DC 250V MEGGER)
- 7.OPERATING TEMPERATURE : -60°C TO 125°C

TYPE	CIRCUIT CHARACTERISTICS															
	CODE	POSITION										●ON				
	0	1	2	3	4	5	6	7	8	9	A	B	C	D	E	F
RBH3-10R	1	●														
	2		●													
	4			●												
	8				●											
RBH3-16R	1		●												●	●
	2			●											●	●
	4				●										●	●
	8					●					●	●	●	●	●	●

△				
△				
△				
△	A	DWG REL.	2014.07.14	邱明義
ZONE	REV.	DESCRIPTION	DATE	APPD.

APPD: 邱明義	QTY:	TACLEX ELECTRONICS CO., LTD.	PART NAME:
CHKD: 邱明義	SCALE: 5:1		ROTARY SWITCH
DR: LARRY	REV: A	UNITS: mm	DWG NO:
DESIGN: LARRY	PART NO: RBH3-10RAV□ FINISH:		RD12PBA